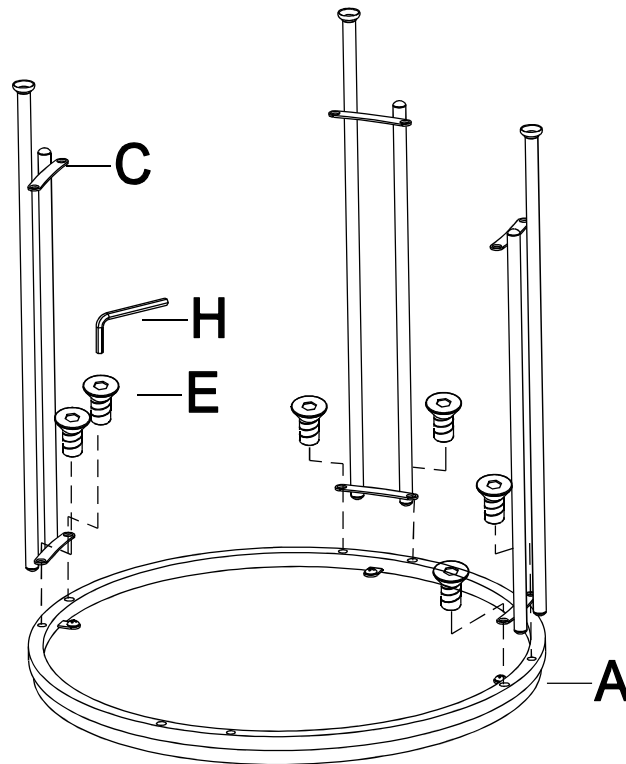


***** Do not tighten screws & bolts until the entire unit is completely assembled.**

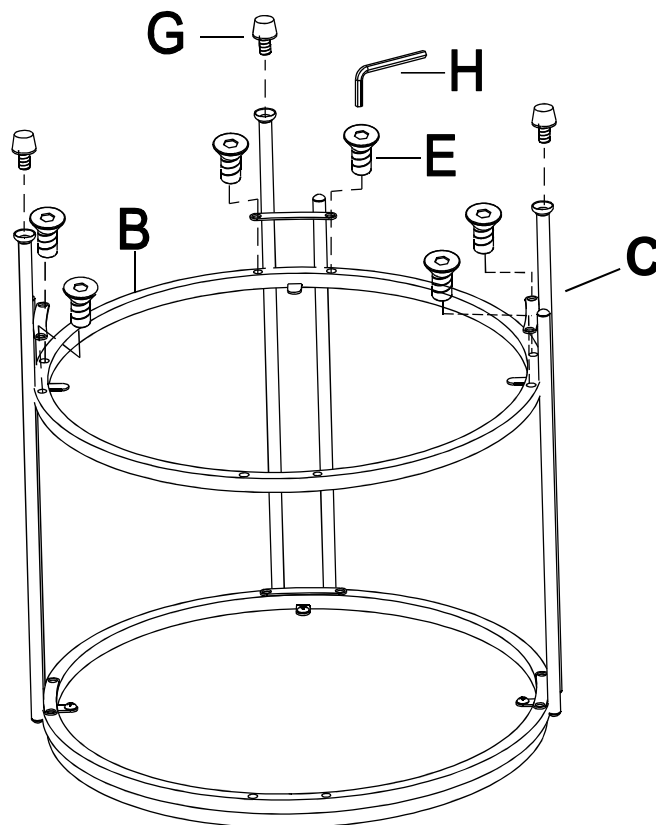
1

Attach three Legs (C) to Wood Top (A) by Bolt (E) and Allen Wrench (H) as shown.



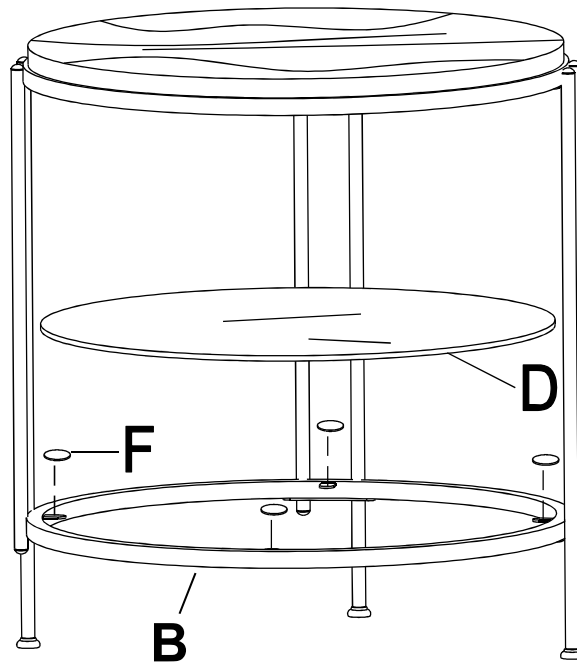
2

Attach Shelf Frame (B) to Leg (C) by Bolt (E) and Allen Wrench (H). Then attach Leveler (G) to the bottom of Leg (C) as shown.

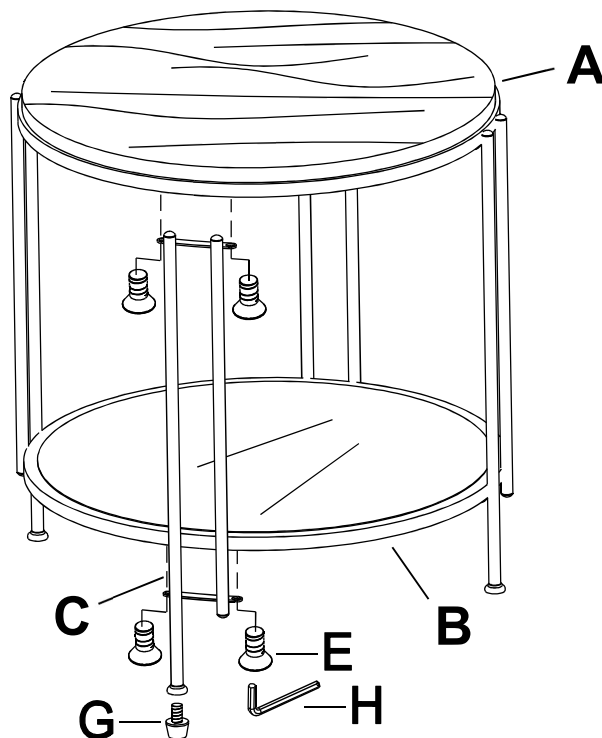


3

Attach Pad (F) to Shelf Frame (B), then put the Mirror Shelf (D) on Shelf Frame (B) as shown.

**4**

Attach the last Leg (C) to Wood Top (A) and Shelf Frame (B) by Bolt (E) and Allen Wrench (H), then attach Leveler (G) to the bottom of Leg (C) as shown.



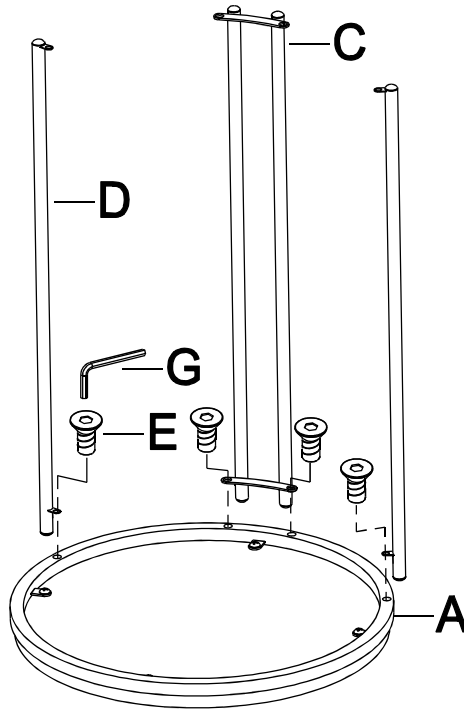
Cleaning & Care

Treat surface with care. Surface is resistant to scratches but is not scratch resistant. Clean surfaces with a dry or damp soft cloth. Do not use abrasive cleaners. Hardware may loosen over time. Periodically check that all connections are tight.

***** Do not tighten screws & bolts until the entire unit is completely assembled.**

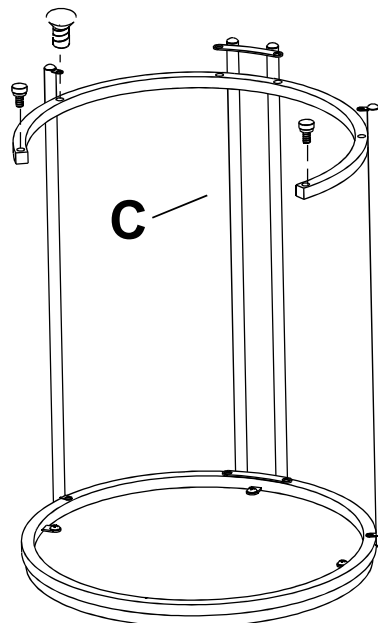
1

Attach Side Panel (C) and Metal Bar (D) to Wood Top (A) by Bolt (E) and Allen Wrench (G) as shown.



2

Attach Base (B) to Side Panel (C) and Metal Bar (D) by Bolt (E) and Allen Wrench (G). Then attach Leveler (F) to Base (B) as shown.



Cleaning & Care

Treat surface with care. Surface is resistant to scratches but is not scratch resistant. Clean surfaces with a dry or damp soft cloth. Do not use abrasive cleaners. Hardware may loosen over time. Periodically check that all connections are tight.