

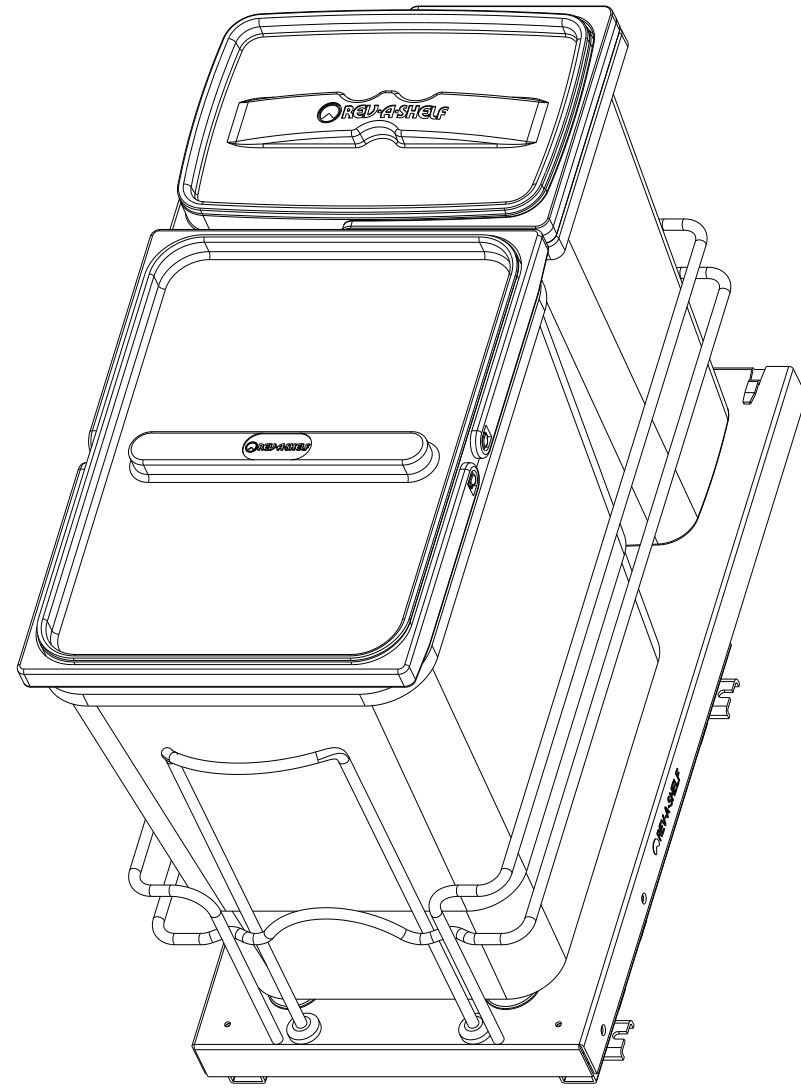
2.38
[60,5]
MIN. TO FRONT OF
CABINET TO PREVENT
HANDLE FROM HITTING
DOOR

This drawing is the property of Rev-A-Shelf (RAS) and is disclosed in confidence to the extent its subject matter is original to RAS. Any vendor receiving this drawing from RAS shall hold and use this drawing for the sole benefit of RAS and shall not disclose it to, or use or reproduce it for any third party, or perform any act adverse to the interest of RAS with respect to this drawing without the express written permission of RAS. Vendors shall not revise any physical, dimensional or performance characteristic unless authorized by Rev-A-Shelf Engineering.

REV.	DATE	BY	DESCRIPTION OF CHANGE

INCH [MM]	AMERICAN PROJECTION 	BY	DATE	REV-A-SHELF, INC.	
		DRAWN	KMW	1-12-17	SIZE B
TOLERANCES		MATERIAL	DRAWING NO.	SCALE	
MAT.	DEC.		5SBWC-815S-1	0.250	
(WOOD)	.XX ±.03 [.8mm]	FINISH	PART NO.	SHEET OF	
(OTHER)	.XX ±.02 [.5mm]		5SBWC-815S-1	1 2	
(ALL)	.XXX ±.005 [.13 mm]	ANGLES ±1/2°			
FRACTIONS ±1/32 [.8 mm]					

CUSTOMER DRAWING



PART DIMENSIONS		
	MIN	MAX
WIDTH	8.87	
DEPTH	18.60	
HEIGHT	14.25	
WEIGHT		
DIAMETER		
RADIUS		
CONTAINER CAPACITY	8 & 15	
CONTAINER UOM	LITERS	

MIN CABINET OPENING	
WIDTH	9.25
DEPTH	18.60
HEIGHT	14.50

PRODUCT MAX WEIGHT RATING
75LB

SLIDE SPECIFICATIONS				
SLIDE TYPE	PROGRESSIVE ROLLER	SLIDE EXTENSION	FULL	MAX WEIGHT RATING
SLIDE CLOSING	SELF / SOFT	SLIDE LENGTH	450MM (17.72")	
SLIDE MOUNTING	BOTTOM	SLIDE FINISH	ZINC	75LB

CUSTOMER DRAWING

This drawing is the property of Rev-A-Shelf (RAS) and is disclosed in confidence to the extent its subject matter is original to RAS. Any vendor receiving this drawing from RAS shall hold and use this drawing for the sole benefit of RAS and shall not disclose it to, or use or reproduce it for any third party, or perform any act adverse to the interest of RAS with respect to this drawing without the express written permission of RAS. Vendors shall not revise any physical, dimensional or performance characteristic unless authorized by Rev-A-Shelf Engineering.

REV.	DATE	BY	DESCRIPTION OF CHANGE

INCH [MM]	AMERICAN PROJECTION 	DRAWN	BY	DATE	REV-A-SHELF, INC.
			KMW	1-12-17	
					SIZE
					B
					DRAWING NO.
					5SBWC-815S-1
					SCALE
					0.250
					FINISH
					PART NO.
					5SBWC-815S-1
					SHEET OF
					2 OF 2

TOLERANCES
 MAT. DEC.
 (WOOD) .XX ±.03 [.8mm]
 (OTHER) .XX ±.02 [.5mm]
 (ALL) .XXX ±.005 [.13 mm]
 FRACTIONS ±1/32 [.8 mm]

ANGLES
 ±1/2°