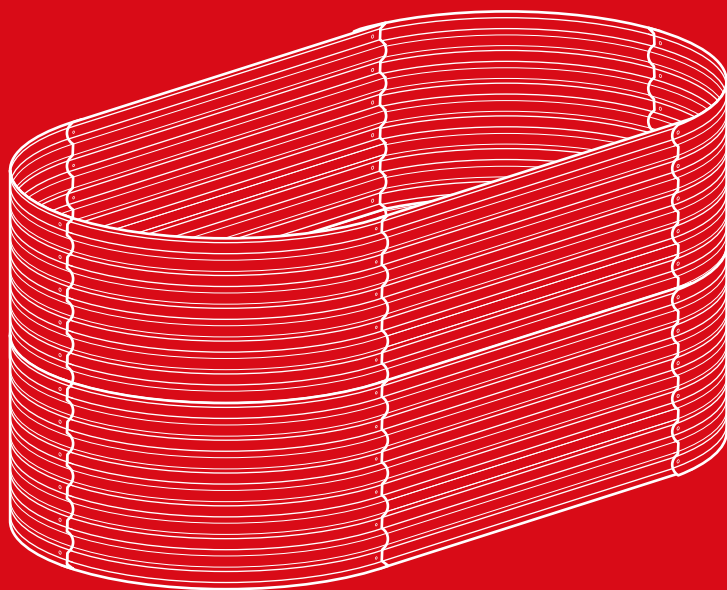




bestchoiceproducts



# INSTRUCTION MANUAL

---

Elevated Oval Garden Bed

## ! NOTICE

Please retain these instructions for future reference.

- Do not stand on or use any part of this item as a step ladder.
- Firmly secure all bolts, screws, and knobs before use.
- Reconfirm that all bolts, screws, and knobs are secure every 90 days.
- Be aware that some parts are heavy and have sharp edges.
- If any parts are missing, broken, damaged, or worn, stop using this product until repairs are made and/or factory replacement parts are installed.
- Do not use this item in a way inconsistent with the manufacturer's instructions as this could void the product warranty.

## TOOLS REQUIRED



PHILLIPS  
SCREWDRIVER



SCISSORS



1 PERSON  
ASSEMBLY



UP TO 45 MIN.  
ASSEMBLY

## HARDWARE

**1** M6 X 15mm  
SCREW



60 PCS

**2** M6 WASHER



66 PCS

**3** M6 WINGNUT



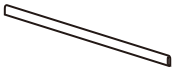
66 PCS

**4** M6 X 25mm  
SCREW



6 PCS

**5** RUBBER  
BUMPER



1 PC

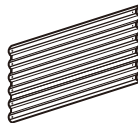
## PARTS

**A** CURVED END  
PANEL



8 PCS

**B** SIDE PANEL

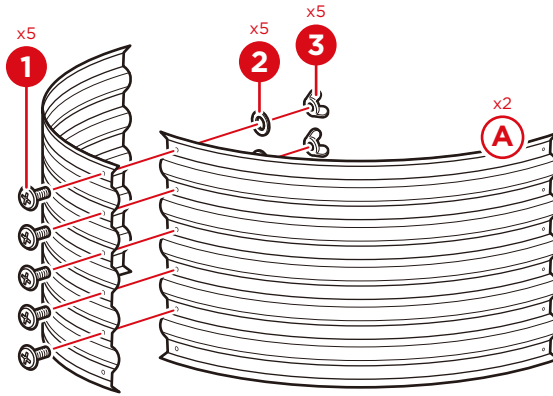


4 PCS

## PRODUCT ASSEMBLY - A

1

Connect two part A end panels with five part 1 screws and five part 2 washers, then secure with five part 3 wingnuts. Leave the bottom connector holes open.

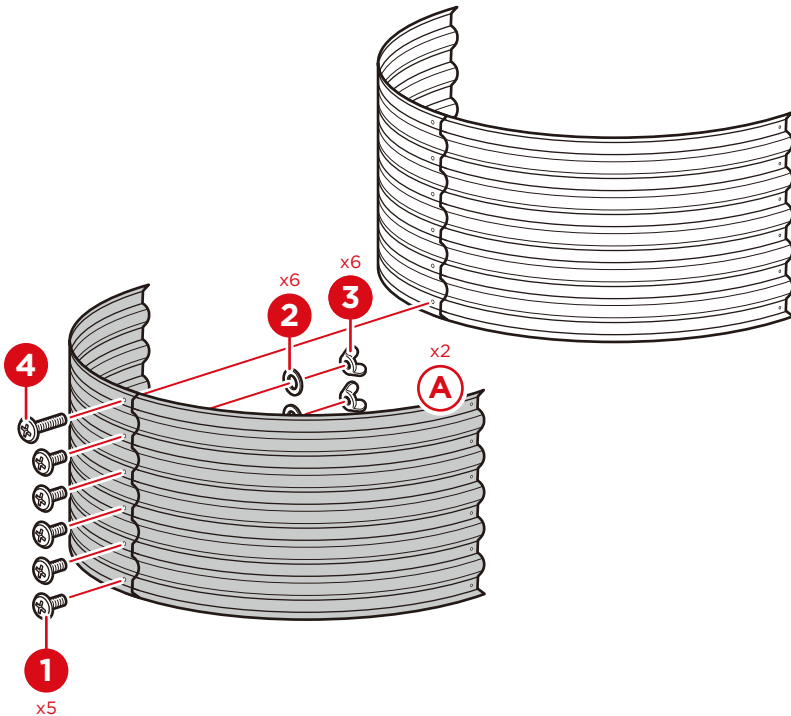


2

Connect two part A end panels with five part 1 screws and five part 2 washers, then secure with five part 3 wingnuts. Leave the top connector holes open.

Overlap the two end panel assemblies & align the empty connector holes, then secure with one part 4 screw, one part 2 washer, and one part 3 wingnut.

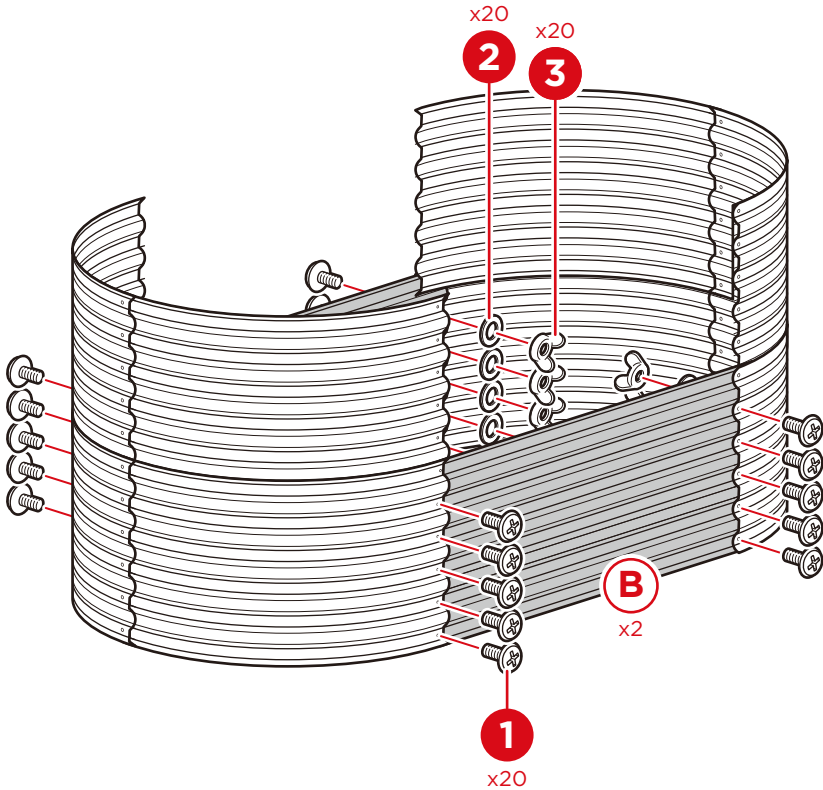
Repeat steps 1 & 2 to assemble a second end panel.



## PRODUCT ASSEMBLY - A

**3**

Interlock the bottom of the two end panel assemblies with two part B side panels, twenty part 1 screws, and twenty part 2 washers, then secure with twenty part 3 wingnuts. Leave the top connector holes open.

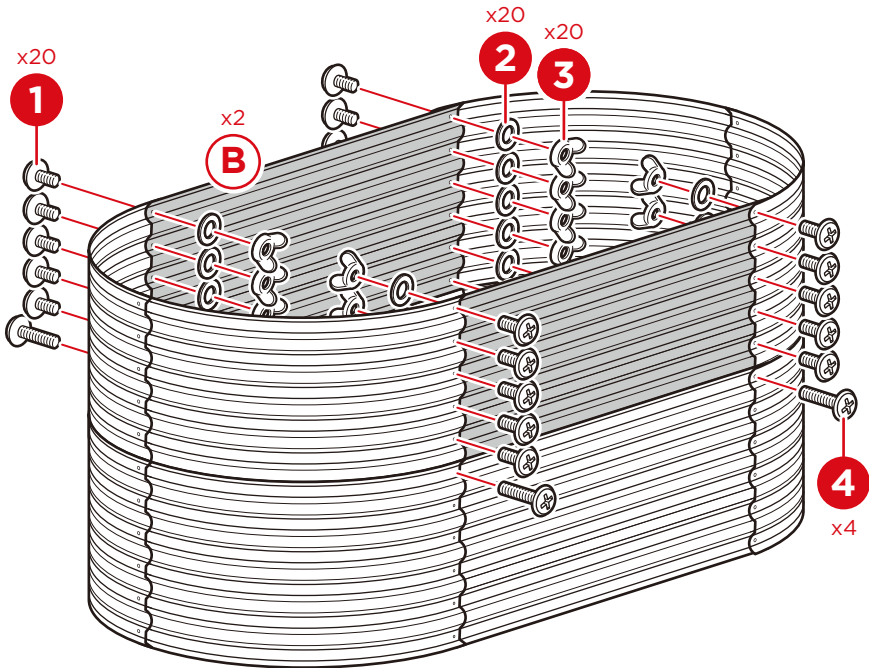


## PRODUCT ASSEMBLY - A

4

Interlock the top of the two end panel assemblies with two part B side panels, twenty part 1 screws, and twenty part 2 washers, then secure with twenty part 3 wingnuts. Leave the bottom connector holes open.

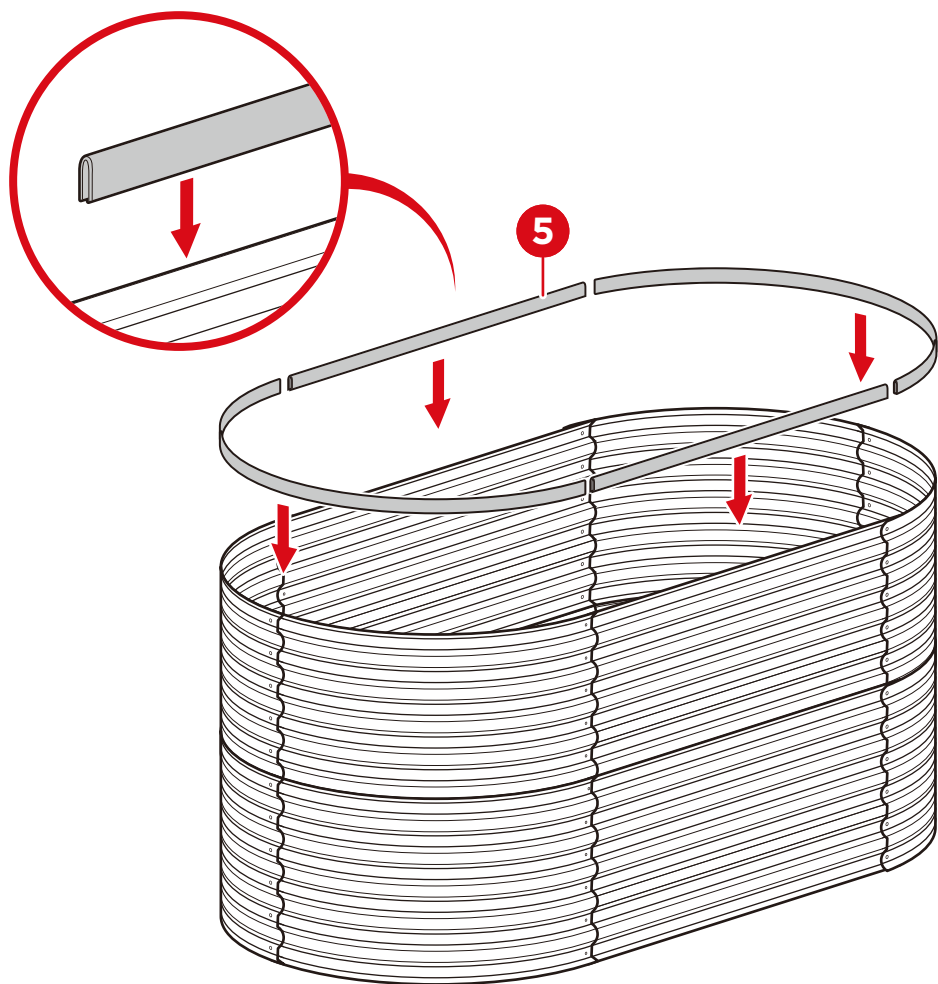
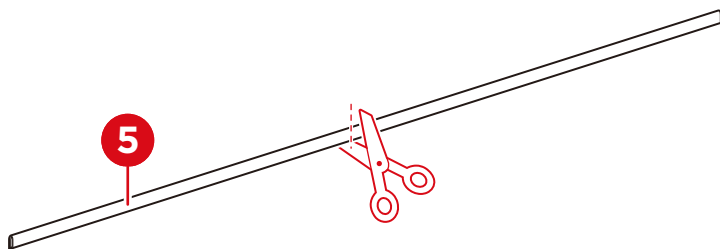
Align the empty connector holes, then secure with four part 4 screws, four part 2 washers, and four part 3 wingnuts.



## PRODUCT ASSEMBLY - A

5

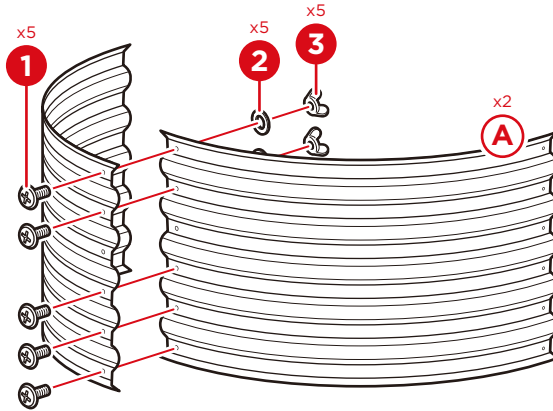
Cut the part 5 rubber bumper into four pieces equal to the straights/curves of the garden bed, then place them on the top edges.



## PRODUCT ASSEMBLY - B

1

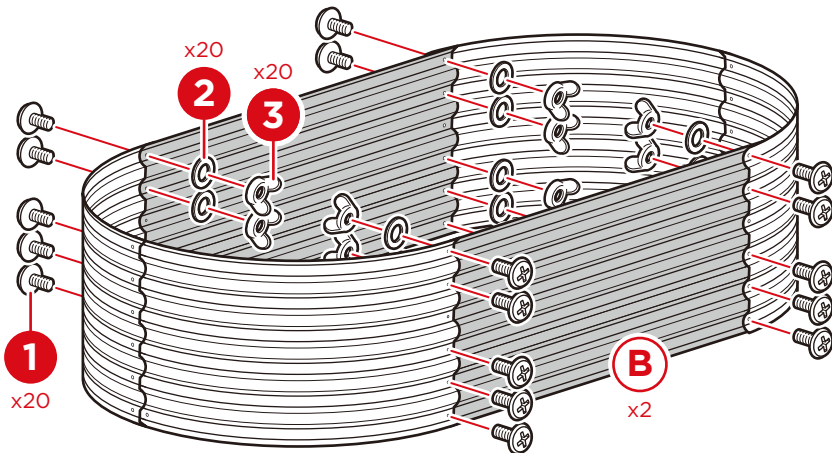
Connect two part A end panels with five part 1 screws and five part 2 washers, then secure with five part 3 wingnuts. Leave the third connector holes open. Repeat to assemble a second end panel set.



2

Interlock the two end panel assemblies with two part B side panels, twenty part 1 screws, and twenty part 2 washers, then secure with twenty part 3 wingnuts. Leave the third connector holes open.

Repeat steps 1 & 2 to assemble a second garden bed.



## CALIFORNIA PROPOSITION 65

**⚠ WARNING:** This product can expose you to chemicals including Lead and lead compounds, which is known to the State of California to cause cancer and birth defects or other reproductive harm. For more information go to [www.P65Warnings.ca.gov](http://www.P65Warnings.ca.gov)



# HELP CENTER



Question about your product? We're here to help. Visit us at:

[help.bestchoiceproducts.com](http://help.bestchoiceproducts.com)



Chat Support



Product Inquiry



Orders FAQ



Product Assembly



Returns & Refunds

## PRODUCT WARRANTY INFORMATION

All items can be returned for any reason within 60 days of the receipt and will receive a full refund as long as the item is returned in its original product packaging and all accessories from its original shipment are included. All returned items will receive a full refund back to the original payment method. All returned items will not be charged a re-stocking fee.

All returned items require an RA (Return Authorization) number, which can only be provided by a Best Choice Products Customer Service Representative when the return request is submitted. Items received without an RA may not be accepted or may increase your return processing time. Once an item has been received by Best Choice Products, refunds or replacements will be processed within 5 business days.

All returns must be shipped back to the Best Choice Products Return Center at the customer's expense. If the reason for return is a result of an error by Best Choice Products then Best Choice Products will provide a pre-paid shipping label via email. Boxes for return shipping will not be provided by Best Choice Products, and is the customer's responsibility to either use the original shipping boxes or purchase new boxes.

Pictures may be required for some returns to ensure an item is not damaged prior to its return. Items returned are not considered undamaged until they are received by Best Choice Products and verified as such. All damages to items are the customer's responsibility until the item has been received by and acknowledge by Best Choice Products as undamaged.



## WARNING

Manufacturer and seller expressly disclaim any and all liability for personal injury, property damage or loss, whether direct, indirect, or incidental, resulting from the incorrect attachment, improper use, inadequate maintenance, unapproved modification, or neglect of this product.