



Deluxe Big & Bright Kitchen

Assembly Instructions

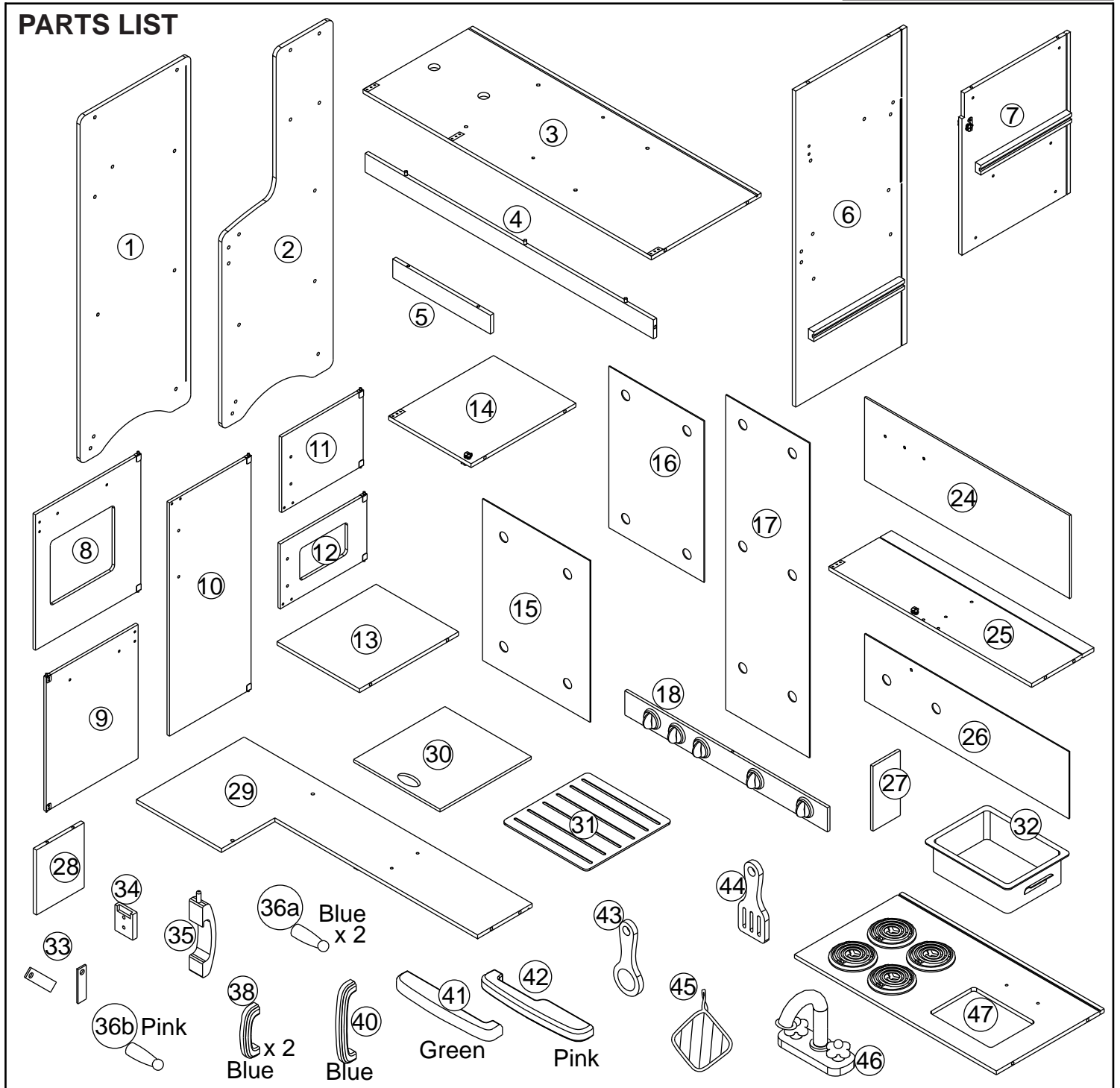
Item #53100C

© 2011 KidKraft, LP

Please retain this information for future reference

To order replacement parts, please visit www.kidkraft.com

PARTS LIST



⚠ WARNING:
ADULT ASSEMBLY REQUIRED.
Product includes small parts with potentially hazardous sharp points and sharp edges in the unassembled state. Keep unassembled parts away from children.

⚠ WARNING:
CHOKING HAZARD. Small parts and sharp points, not suitable for children under 3 years.

⚠ WARNING:
If used improperly, your kitchen may be pulled over or fall, creating risk of injury or damage. To minimize this risk, we recommend that you use the enclosed wall anchor kit, which gives you the option of attaching the kitchen to a wall. In addition, children should not be permitted to climb or pull on the kitchen.

USE AND MAINTENANCE:
-Use on level surfaces only
-Please check assembly at regular intervals, and frequently tighten hardware if necessary. If maintenance is not carried out, the product could cease to function properly.






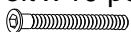













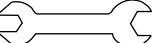


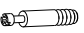


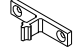
Customer Service
1-800-933-0771
www.kidkraft.com



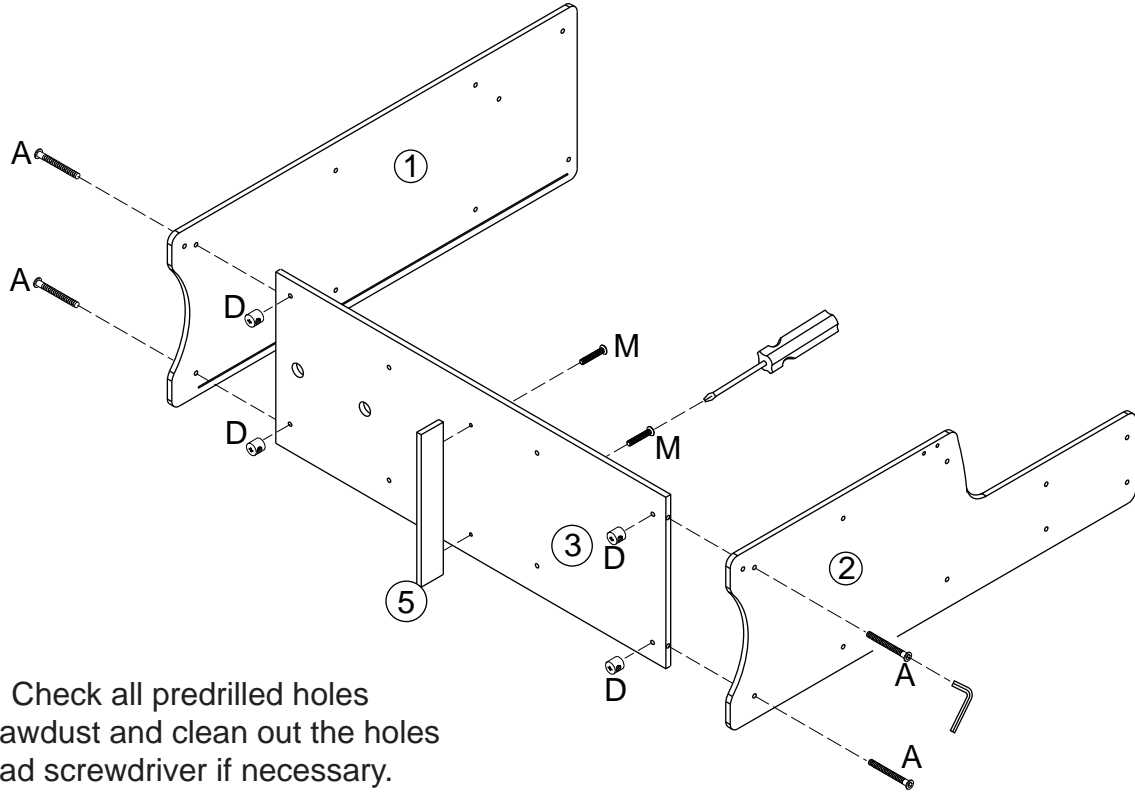
Deluxe Big & Bright Kitchen Assembly Instructions

© 2011 KidKraft, LP

Item #53100C

HARDWARE				
A. White Cross Dowel Bolt x 22 pcs  2 3/16 in, 55mm	F. Screw x 3 pcs  1 in, 25mm	K. White Screw x 2 pcs  1 3/16 in, 30mm	P. Twist Nut x 2 pcs 	V. Wood Dowel x 8 pcs 
B. Pink Cross Dowel Bolt x 10 pcs  2 3/16 in, 55mm	G. Pink Screw x 4 pcs  1 in, 25mm	L. Orange Screw x 2 pcs  1 3/16 in, 30mm	Q. Pink Cap Nut x 2 pcs 	W. Green Screw x 2 pcs  1 in, 25mm
C. Cross Dowel Bolt x 4 pcs  2 3/16 in, 55mm	H. Blue Screw x 2 pcs  1 in, 25mm	M. White Screw x 2 pcs  1 3/16 in, 30 mm	R. Nylon Nut x 1 pc 	Allen Wrench x 1 pc 
D. Cross Dowel Nut x 36 pcs 	I. Orange Screw x 2 pcs  1 in, 25mm	N. Green Screw x 2 pcs  15/16 in, 24mm	S. Washer x 3 pcs 	Wrench x 1 pc 
E. Black Cross Dowel Bolt x 1 pc  1 1/8 in, 28mm	J. Hex Screw x 2 pcs  1 in, 25mm	O. Cam Lock x 2 pcs 	T. Screw x 10 pcs  5/16 in, 8 mm	The following tool (not included) is required for assembly:  Phillips® screwdriver
			U. Latch x 5 pcs 	

Step 1



Helpful Hint: Check all predrilled holes for excess sawdust and clean out the holes with a flathead screwdriver if necessary.

Before calling customer service, please locate the batch code number (example: 105906/65006/04) found on the bottom or back of your product.

Customer Service
 1-800-933-0771
www.kidkraft.com



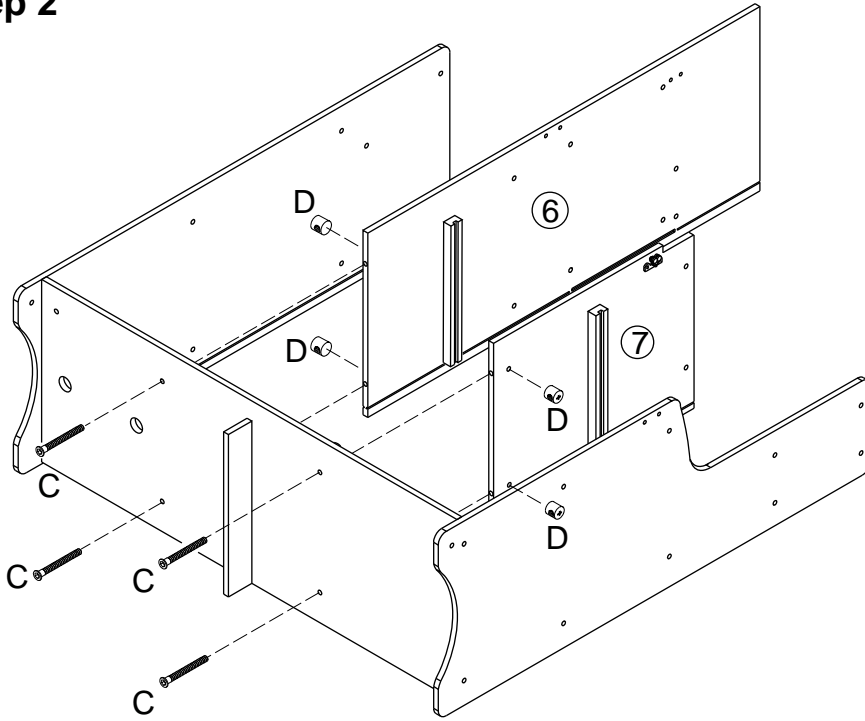
Deluxe Big & Bright Kitchen

Assembly Instructions

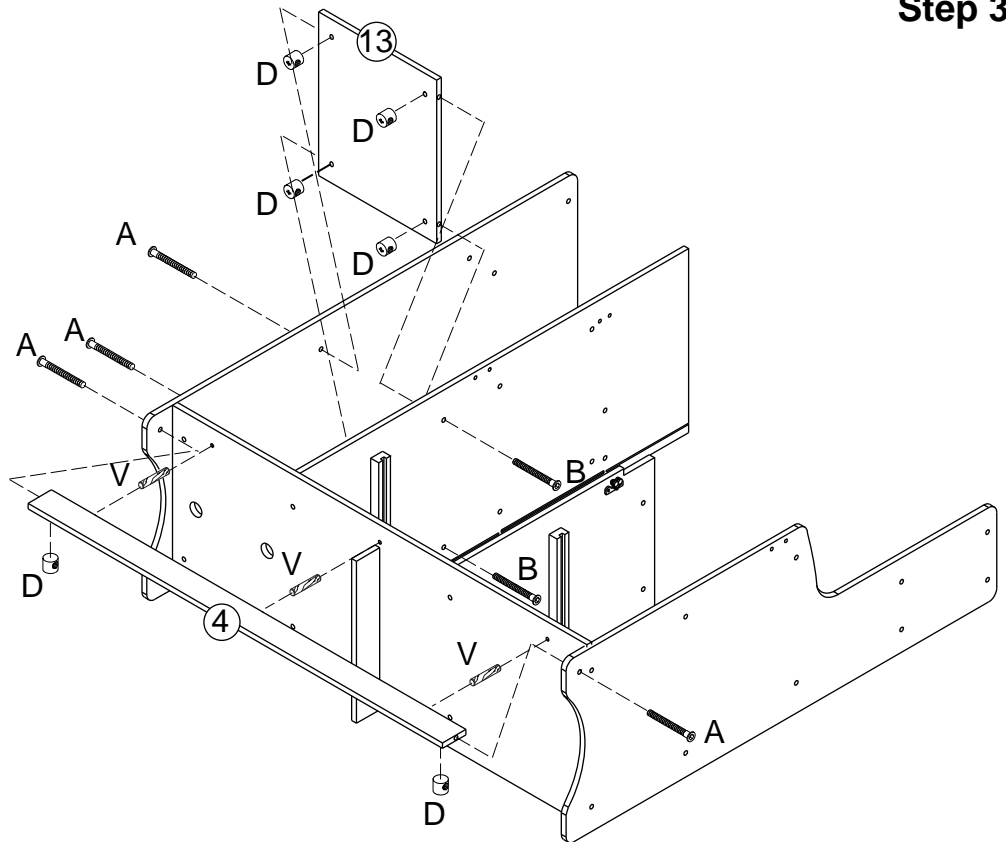
© 2011 KidKraft, LP

Item #53100C

Step 2



Step 3



Customer Service
1-800-933-0771
www.kidkraft.com

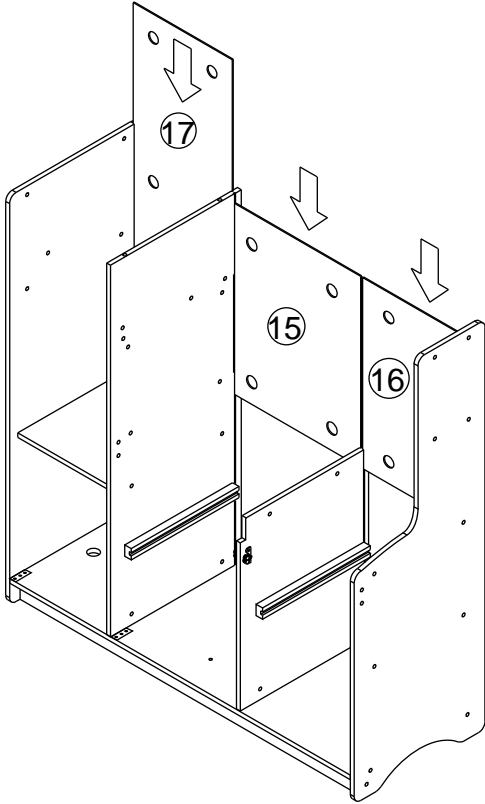


Deluxe Big & Bright Kitchen Assembly Instructions

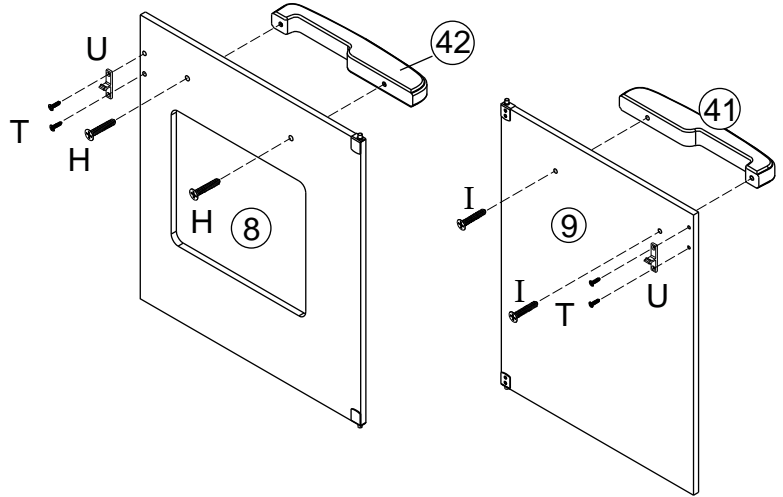
© 2011 KidKraft, LP

Item #53100C

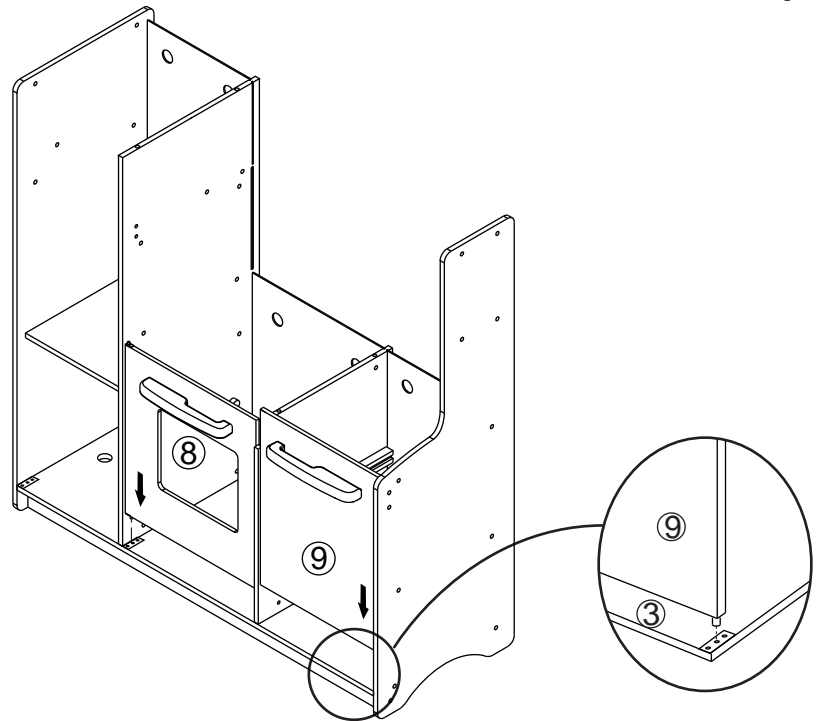
Step 4



Step 5



Step 6



Customer Service
1-800-933-0771
www.kidkraft.com



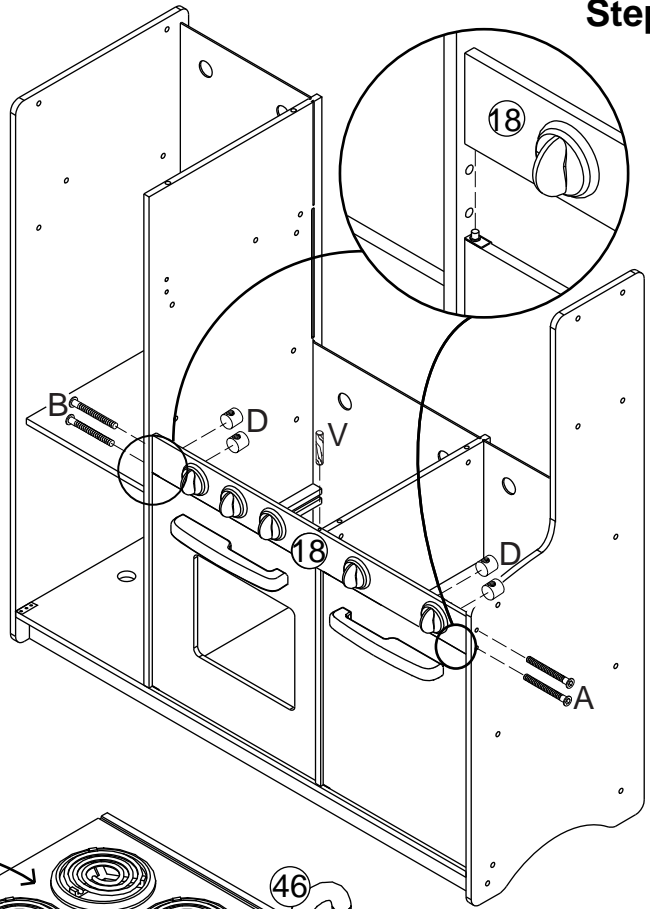
Deluxe Big & Bright Kitchen

Assembly Instructions

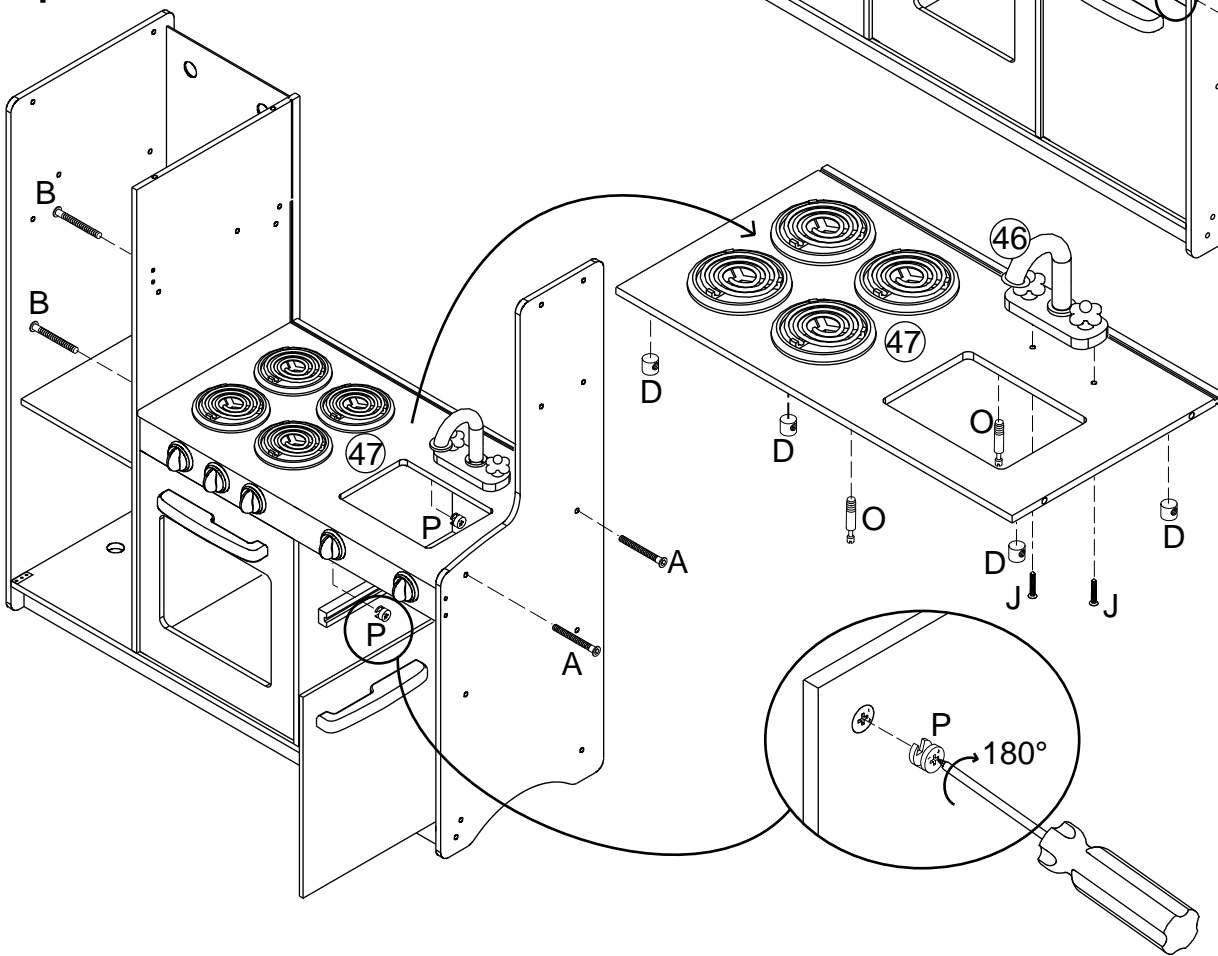
© 2011 KidKraft, LP

Item #53100C

Step 7



Step 8



Customer Service
1-800-933-0771
www.kidkraft.com



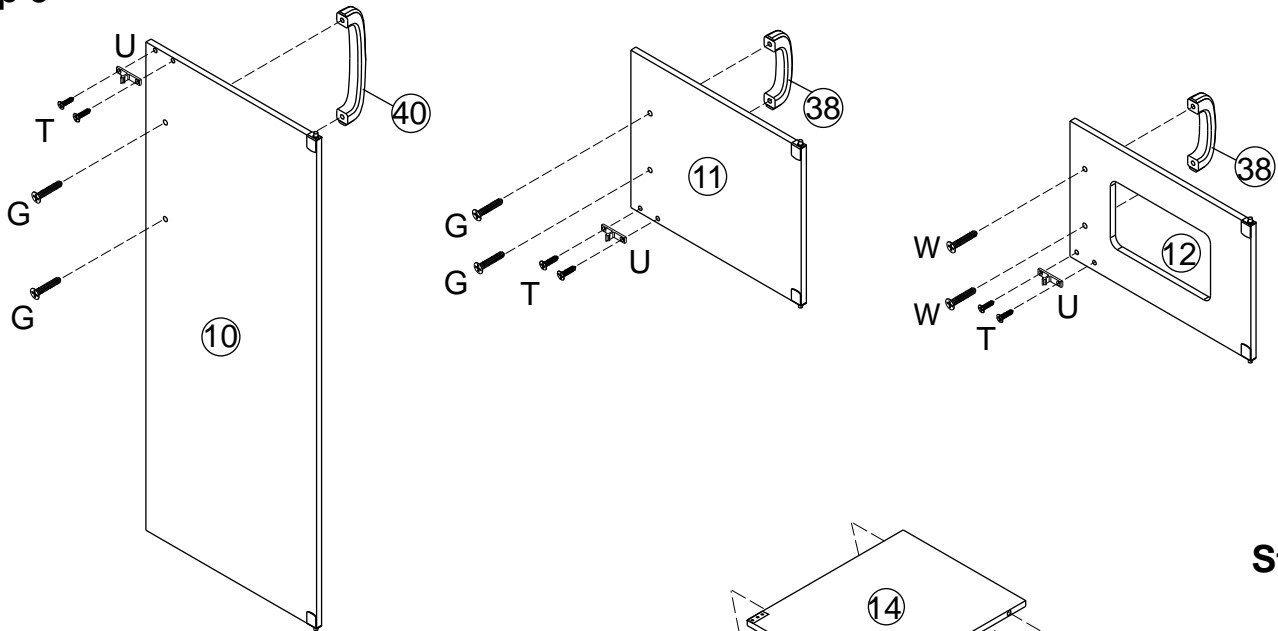
Deluxe Big & Bright Kitchen

Assembly Instructions

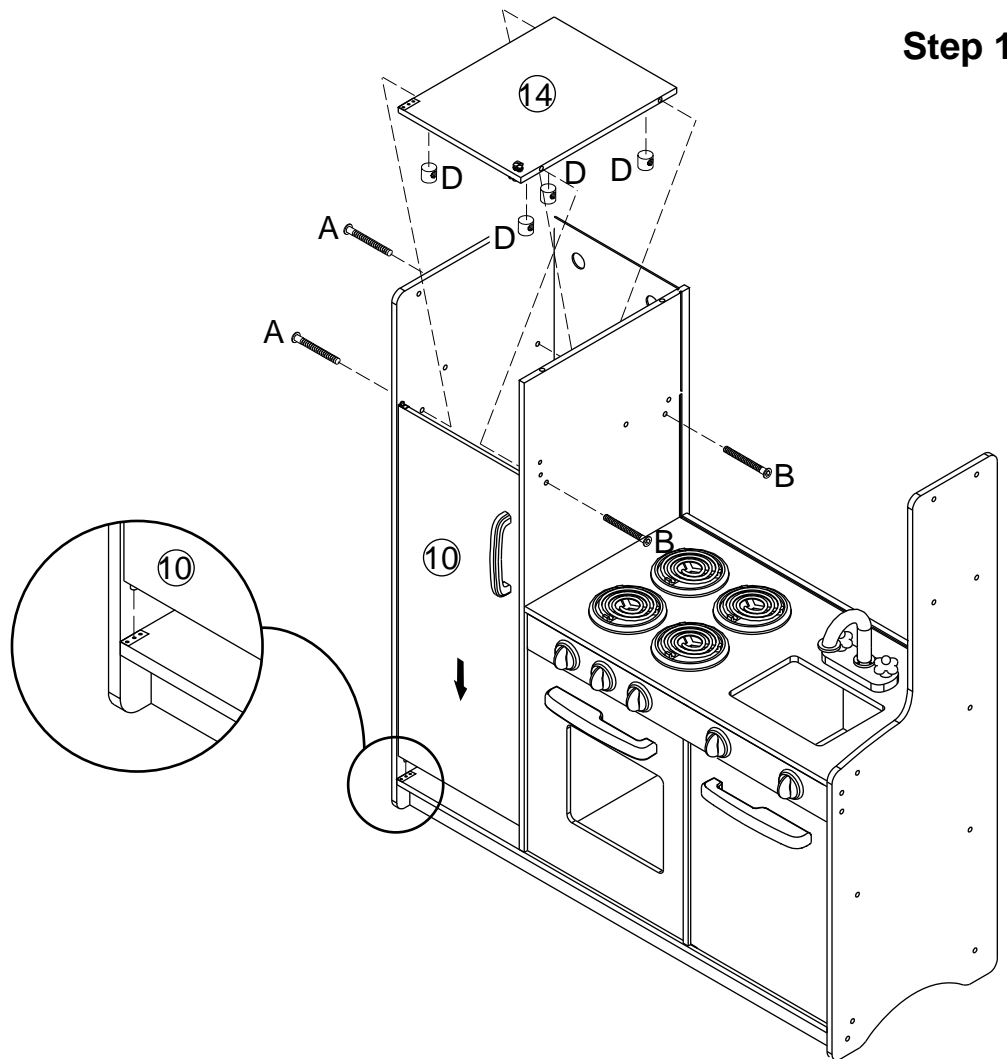
© 2011 KidKraft, LP

Item #53100C

Step 9



Step 10



Customer Service
1-800-933-0771
www.kidkraft.com



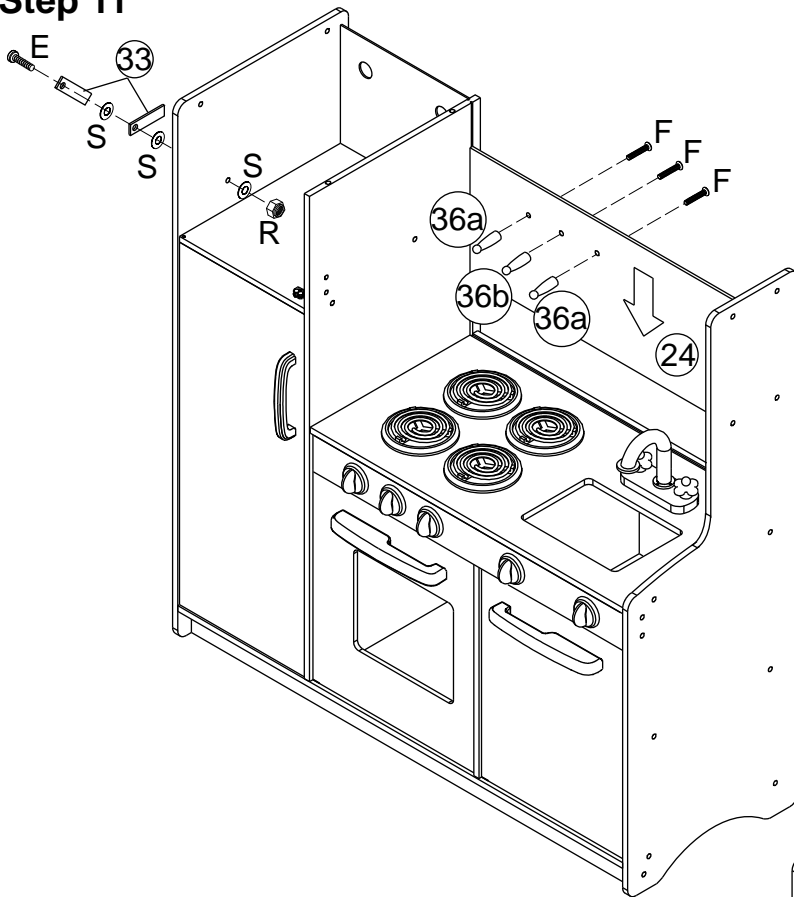
Deluxe Big & Bright Kitchen

Assembly Instructions

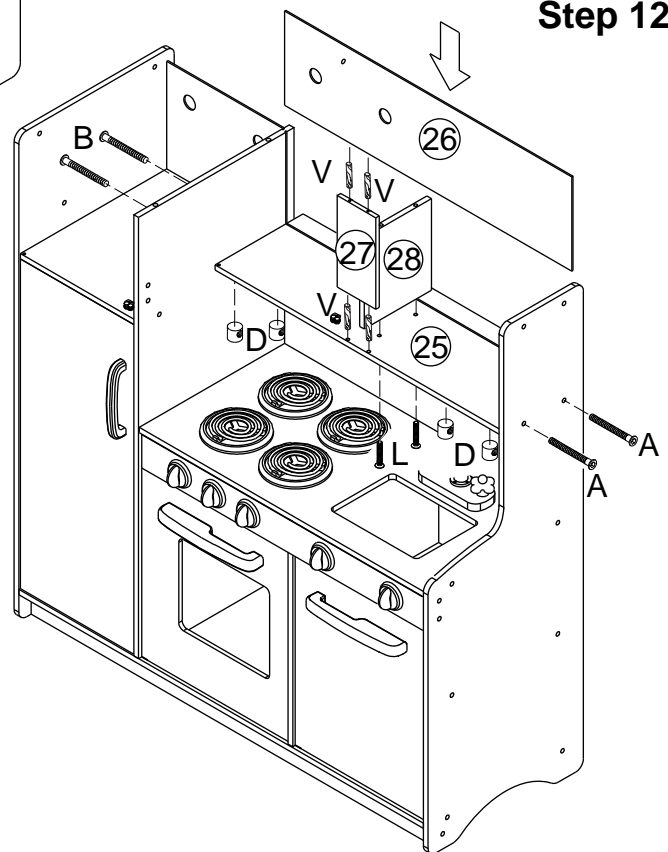
© 2011 KidKraft, LP

Item #53100C

Step 11



Step 12



Customer Service
1-800-933-0771
www.kidkraft.com



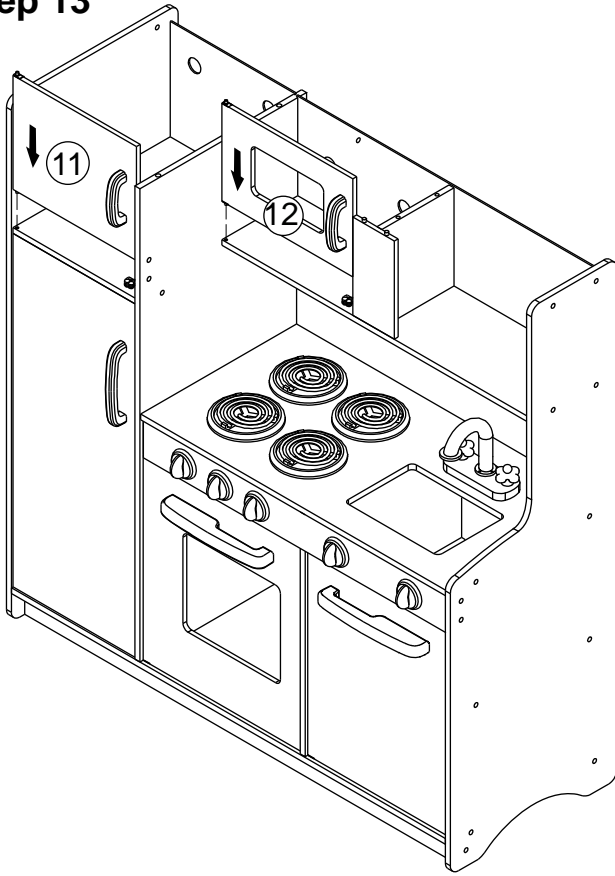
Deluxe Big & Bright Kitchen

Assembly Instructions

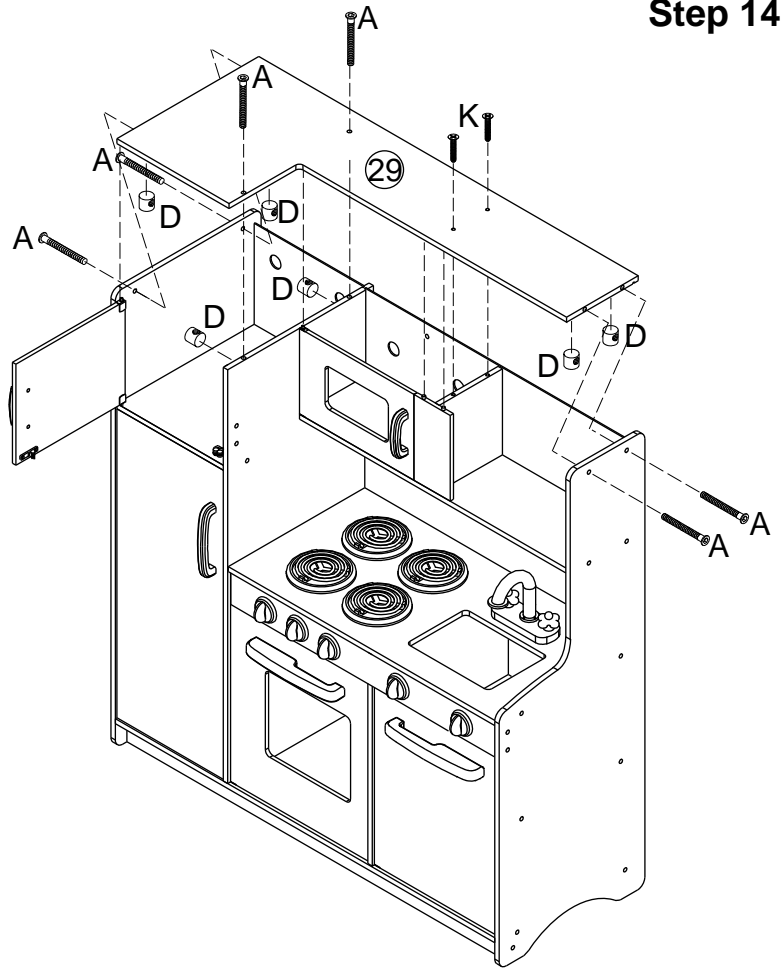
© 2011 KidKraft, LP

Item #53100C

Step 13



Step 14



Customer Service
1-800-933-0771
www.kidkraft.com



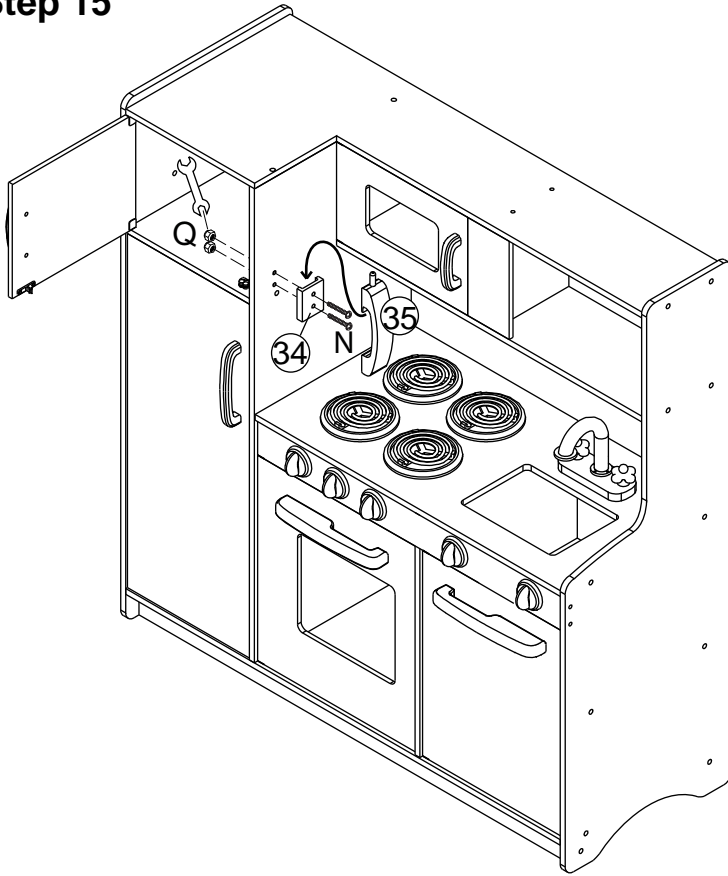
Deluxe Big & Bright Kitchen

Assembly Instructions

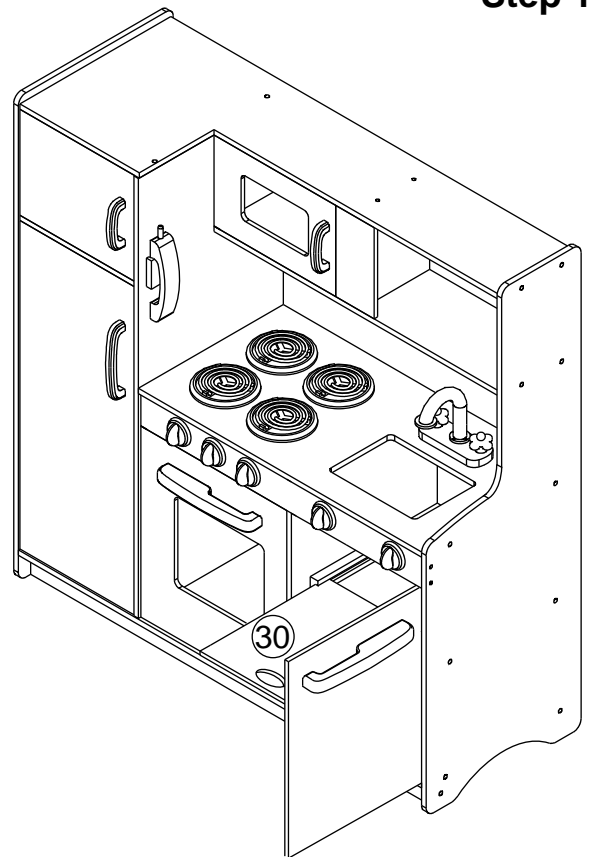
© 2011 KidKraft, LP

Item #53100C

Step 15



Step 16



Customer Service
1-800-933-0771
www.kidkraft.com



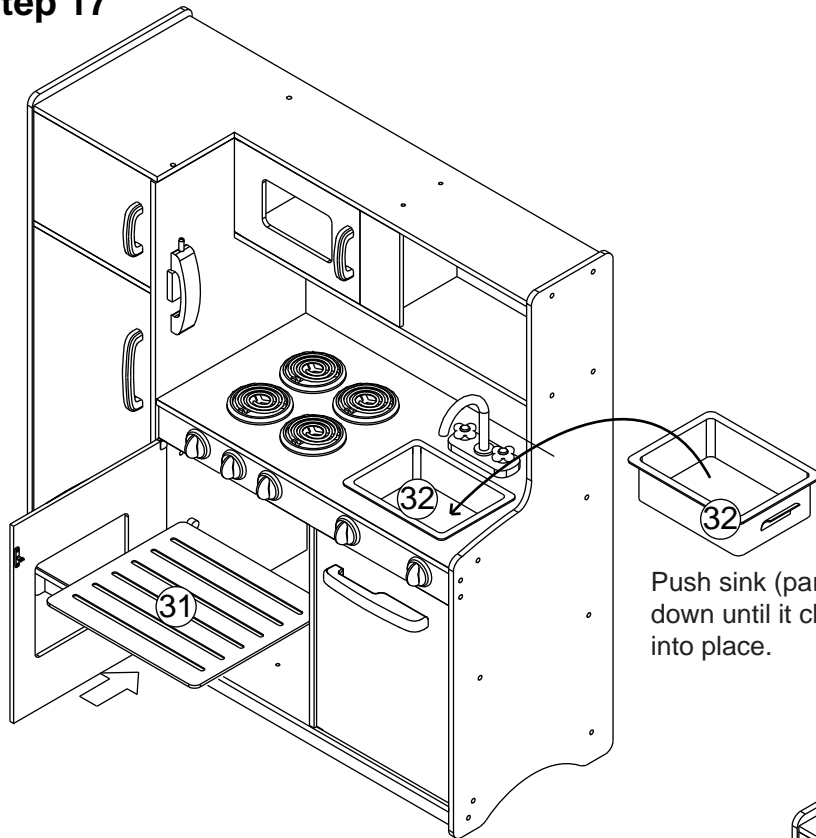
Deluxe Big & Bright Kitchen

Assembly Instructions

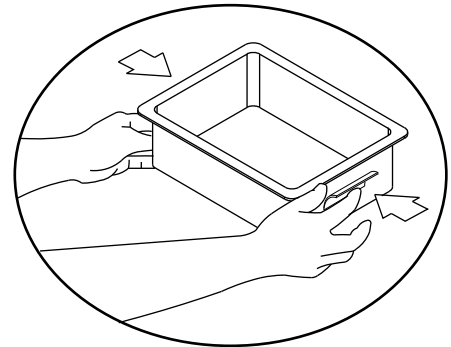
© 2011 KidKraft, LP

Item #53100C

Step 17

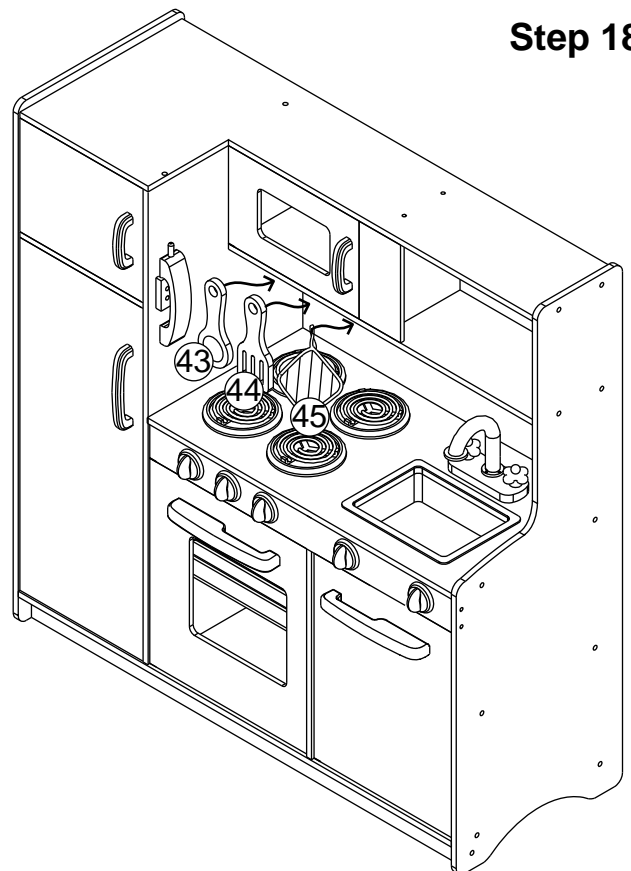


Push sink (part 32) down until it clicks into place.



To Remove Sink: The sink may only be removed by an adult. Hold the tabs and lift through the hole to release.

Step 18



WASH ALL FOOD/DRINK PLAYTHINGS THOROUGHLY BEFORE USE. NOT DISHWASHER, OVEN OR MICROWAVE SAFE

Customer Service
1-800-933-0771
www.kidkraft.com



Parental supervision required.

This toy is intended for children of a specific age or above. Parents should supervise the play area so that children younger than the intended age range do not interact with this toy. Use this toy on the floor. Do not allow children to climb on or around or in the toy.

IMPORTANT INFORMATION - PLEASE READ FIRST

ALL OF OUR WOODEN ITEMS ARE HANDCRAFTED, HAND ASSEMBLED, AND HAND PAINTED. EACH ONE IS UNIQUE. SLIGHT IMPERFECTIONS MAY OCCUR AND ARE NOT MANUFACTURING DEFECTS.

PLEASE NOTE THAT WE DO NOT WARRANTY AGAINST THE USE OF PERMANENT MARKERS, NON-WATER-BASED PAINTS, CRAYONS, OR WASHABLE MARKERS. SOME OF THESE ITEMS CONTAIN PERMANENT COLOR DYES THAT COULD DAMAGE THE SURFACE.

CLEANING INSTRUCTIONS

CLEAN THE SURFACE USING A SLIGHTLY DAMP CLOTH AND MILD DISH WASHING LIQUID IF NECESSARY. DO NOT USE ANY CLEANING PRODUCT CONTAINING ALCOHOL OR AMMONIA. THESE WILL DULL THE SHINY SURFACE OF THE PRODUCT. FURNITURE POLISH WILL ALSO WORK TO CLEAN AND DUST OFF THE SURFACE.

ADULTS: WASH ALL FOOD/DRINK PLAYTHINGS THOROUGHLY BEFORE USE. NOT DISHWASHER, OVEN OR MICROWAVE SAFE.

WE RECOMMEND THAT YOU TEST ALL CLEANING MATERIALS ON THE UNDERSIDE OF ANY SURFACE THAT WOULD NOT BE SEEN DURING NORMAL USE OF THE PRODUCT. IF YOU HAVE QUESTIONS REGARDING THE MAINTENANCE OF THIS PRODUCT PLEASE FEEL FREE TO CALL US.

SOLE AND LIMITED WARRANTY

THIS TOY IS WARRANTED SOLELY AGAINST MANUFACTURING DEFECTS FOR A PERIOD OF 90 DAYS FROM THE DATE OF PURCHASE, WHICH RUNS ONLY TO THE ORIGINAL USER OF THE TOY. IN THE EVENT OF A MANUFACTURING DEFECT, PARTS WILL BE REPLACED OR THE ENTIRE PRODUCT WILL BE REPLACED OR THE PURCHASE PRICE WILL BE REFUNDED, AT THE ELECTION OF THE MANUFACTURER. TO ACTIVATE AND PROTECT THIS WARRANTY, PRESERVE EVIDENCE OF ORIGINAL PURCHASE AND CAREFULLY INSPECT THE CONDITION OF THE TOY PRIOR TO AND AFTER ASSEMBLY, LOOKING FOR MISSING, DEGRADED, BROKEN OR HAZARDOUS PARTS, INCLUDING PARTS WHICH CAN BE SWALLOWED BY A CHILD, CAUSE A CHILD TO CHOKE, OR OTHERWISE CAUSE INJURY. SUCH PARTS MAY INCLUDE FASTENERS AND CONNECTORS. SHOULD YOU OBSERVE ANY DEFECTS, DO NOT USE THE TOY AND IMMEDIATELY NOTIFY THE MANUFACTURER. FAILURE TO DO SO SHALL CONSTITUTE MISUSE. MISUSE, IMPROPER ASSEMBLY, FAILURE TO HONOR A WARNING, FAILURE TO SUPERVISE, INSPECT OR MAINTAIN THE TOY, OR DAMAGE TO THE TOY, WHETHER INTENTIONAL OR INADVERTENT, SHALL INVALIDATE THIS WARRANTY. THIS WARRANTY GIVES YOU SPECIFIC LEGAL RIGHTS, AND YOU MAY ALSO HAVE OTHER RIGHTS WHICH VARY FROM STATE TO STATE.

TO SUBMIT A WARRANTY CLAIM PLEASE CONTACT KIDKRAFT CUSTOMER SERVICE AT 1-800-933-0771 FOR INSTRUCTIONS ON HOW TO PROVIDE PROOF OF PURCHASE AND HOW TO RETURN THE ITEM FREIGHT PRE-PAID.