

Gainsborough  
LIBERTY

GRID CONNECT

# SMART TOUCH LEVER LOCK



**QUICK  
START  
GUIDE**

IMPORTANT!  
PLEASE READ THESE  
INSTRUCTIONS CAREFULLY

GLIBLEVBL


# 1 INTRODUCTION

This Smart Touch Lever Lock is designed to use a standard 54mm cutout. With a fingerprint sensor and Bluetooth connectivity, being locked out can become a thing of the past.

Install the Grid Connect mobile app, available for both iPhone and Android devices to control and monitor your lock from your mobile device. Add an optional Bluetooth hub to enable access from anywhere.


The Grid Connect app is free to download and is available from the Apple App Store and Google Play. Check [grid-connect.com.au](http://grid-connect.com.au) for minimum device requirements.

MONITOR FROM ANYWHERE




DOWNLOAD PAIR USE

Download from:



GET IT ON  
Google Play



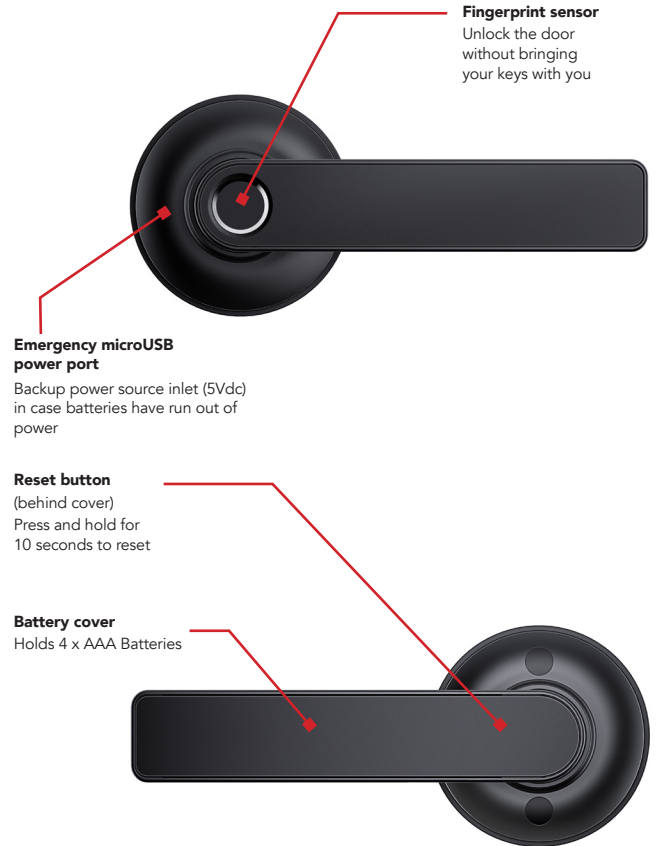
Download on the  
App Store

# 2 CONTENTS

- Locking lever and rubber seal
- Exit lever and rubber seal
- Latch
- Strike plate and box
- Mounting accessories
- Drill template
- 4 x AAA batteries
- Reset pin



# 3 IDENTIFICATION



# 4.0 INSTALLATION - Contents

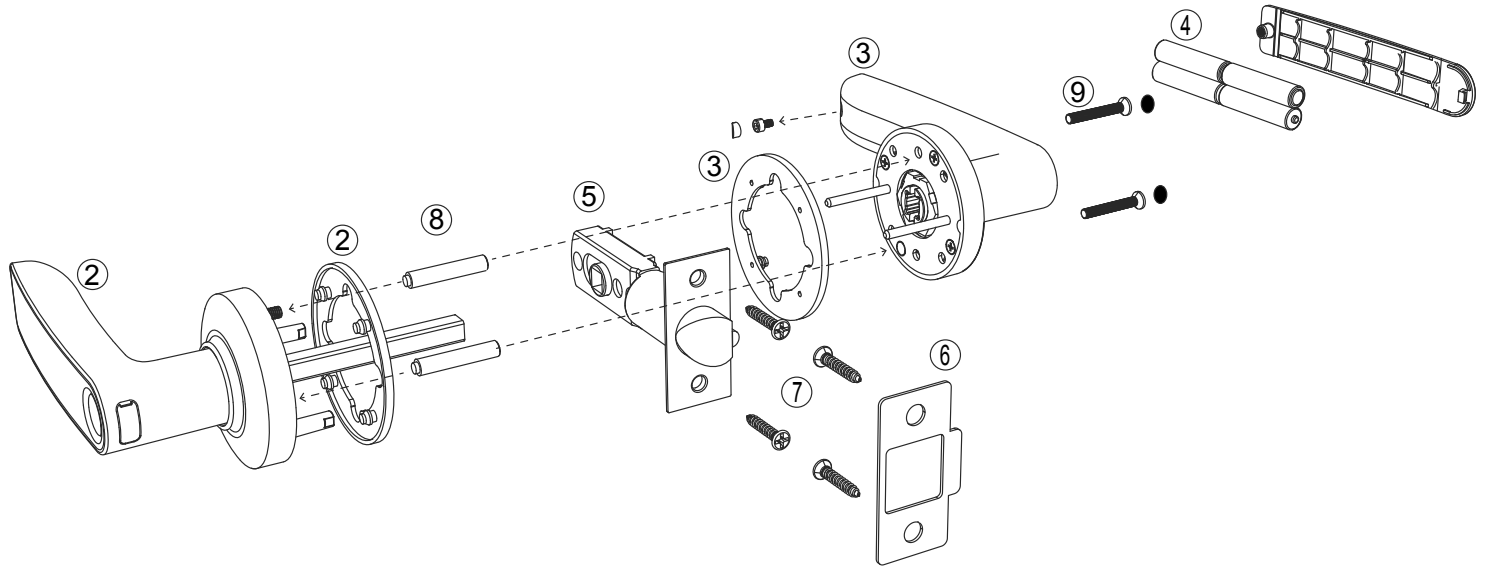
**PLEASE READ THESE INSTRUCTIONS CAREFULLY.** Failure to follow these instructions could affect the product's function or result in damage to the product.

- For your safety, take care when operating tools during installation.
- Install the product while the door is open. Do not close the door until you check that the product is operating correctly.
- Do not use excessive force or sharp objects to press the touchscreen.
- Do not install the batteries until you complete the installation.
- The lock should only be serviced by a professional technician. You must not modify/repair the product without authorization.



- ① Drill Template
- ② Locking lever with rubber seal
- ③ Exit lever with rubber seal
- ④ 4 x AAA batteries
- ⑤ Latch
- ⑥ Strike plate
- ⑦ 4 x Door screws
- ⑧ 2 x Screw Standoffs
- ⑨A 2 x Mounting screws (30mm)
- ⑨B 2 x Mounting screws (40mm)
- ⑩ Screw covers
- ⑪ Hex tool for battery compartment
- ⑫ Reset pin

## 4.1 INSTALLATION



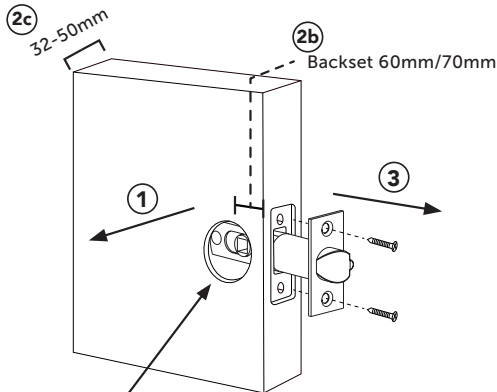
## 4.2 INSTALLATION - Door preparation

Additional material including installation videos are available on the Gainsborough website: [gainsboroughhardware.com.au](http://gainsboroughhardware.com.au)

### OPTION A: PREPARATION - REPLACING AN EXISTING LOCK\*

\* **Note:** If you are having trouble removing your existing lock, please contact a locksmith or the manufacturer of your existing door hardware for assistance.

1. Remove your existing door handle. Most handles can be unscrewed from the indoor side.
2. Check that your door meets the installation requirements:
  - a. Standard 54mm diameter cut-out, with sufficient clearance on all sides to fit this product.
  - b. Backset of 60mm or 70mm from edge of door to centre of cut-out.
  - c. Door thickness between 32mm and 50mm.
3. Remove the latch from the side of the door.

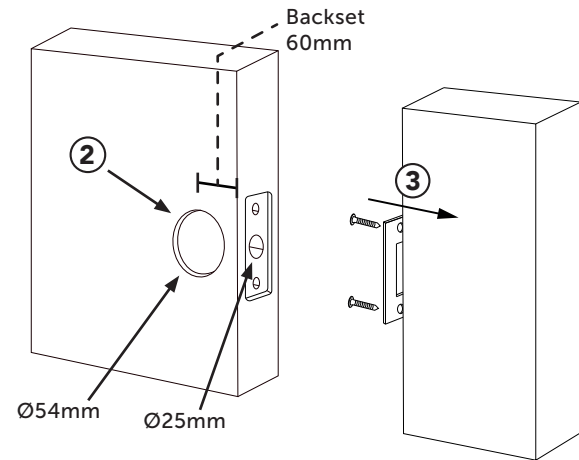


2a Ø54mm

### OPTION B: PREPARATION - NEW DOORS

**IMPORTANT:** Professional installation is recommended for new doors.

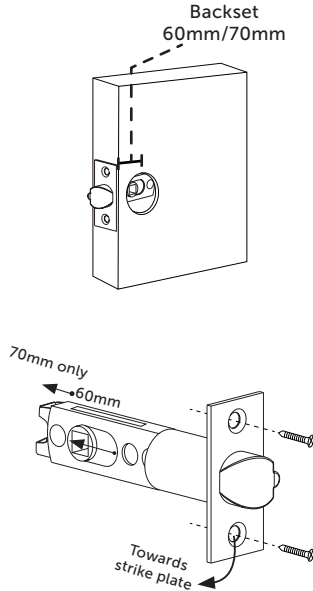
1. Your door must have a thickness of between 32mm and 50mm.
2. Using an installation kit (not included) or the drill template, create a standard cut-out:
  - a. 54mm diameter cut-out centred 60mm back from the edge of the door.
  - b. 25mm hole centred along the edge of the door through to the 54mm cut-out. (Note: The drill template can be used for vertical alignment only, horizontal position will vary depending on your door thickness.)
  - c. Screw holes to install the latch and strike.
  - d. Rectangular cut-out for flush installation of the latch and strike.
3. Install the strike plate and box to the door frame.



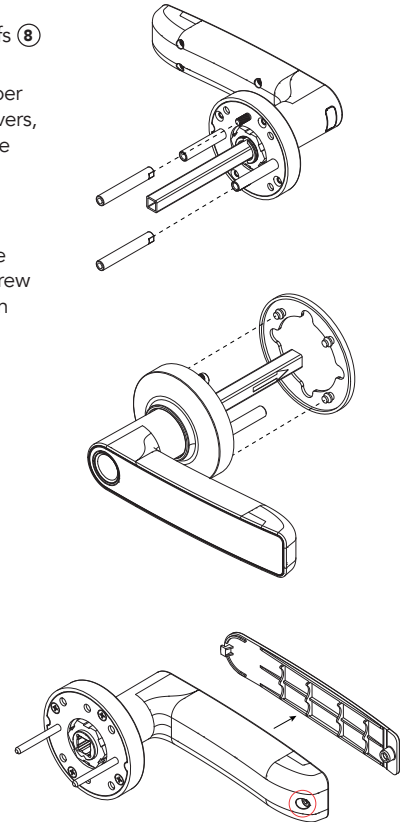
## 4.3 INSTALLATION - Locking lever

### INSTALLATION - BOTH NEW AND EXISTING DOORS

1. Secure the latch to your door edge using the provided screws (7), ensuring that the latch orientation and backset are set correctly.
  - The beveled edge of the latch should face the strike plate so that it will retract automatically.
  - For most installations, the adjustable latch should be kept in the shorter position for a 60mm backset. If you are installing at a backset of 70mm from the edge of the door to the centre of the cut-out, push the spindle slot out to the 70mm marking.
  - The latch must be screwed in before proceeding to the next step.

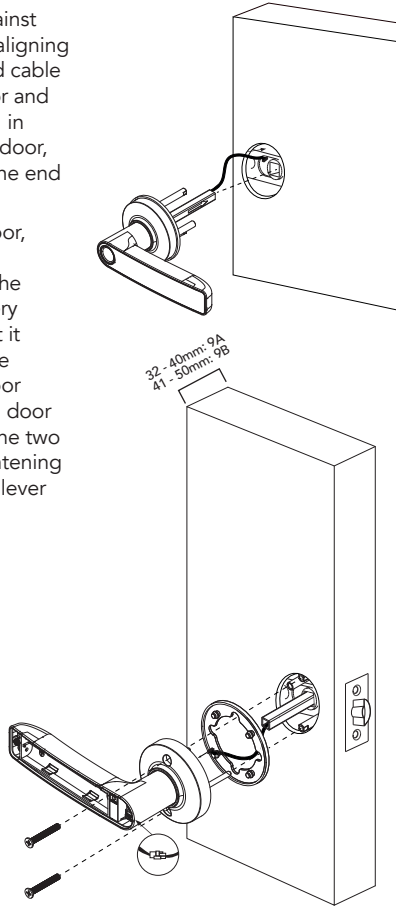


- 2.a. Fit the two screw standoffs (8) into the locking lever.
- b. Check that there are rubber seals installed on both levers, and install them if they are not already there.
- c. Use the hex tool (11) to loosen the screw behind the exit lever and remove the battery cover. The screw should remain in place on the housing.



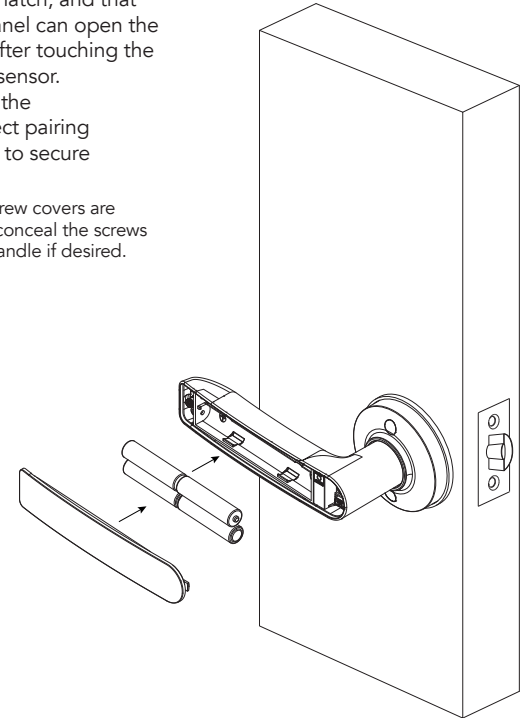
## 4.4 INSTALLATION - Exit lever

- 3.a. Hold the locking lever against the outside of your door, aligning the spindle, standoffs, and cable with the holes in your door and latch. Push the front panel in until it is flush against the door, and hold it in place until the end of the next step.
- b. From the inside of your door, install the exit lever and second rubber seal. Pass the cable through to the battery compartment and connect it to the port. Using the three provided (9A) (32-40mm door thickness) or (9B) (41-50mm door thickness) screws, secure the two levers together. When tightening the screws, check that the lever set is aligned correctly.

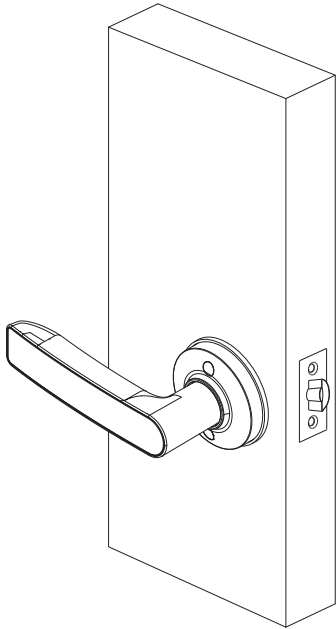


4. Install 4 AAA batteries and replace the battery cover. Test that the indoor handle retracts the latch, and that the front panel can open the latch only after touching the fingerprint sensor. Proceed to the Grid Connect pairing instructions to secure your lock.

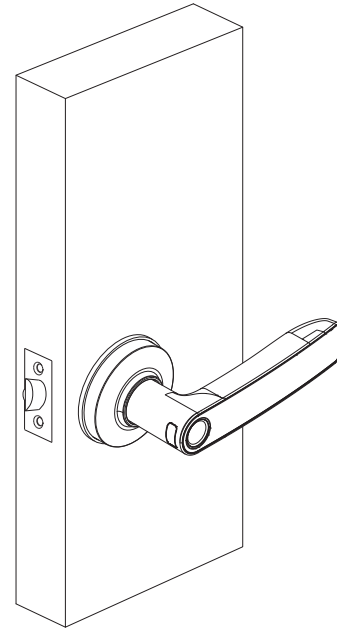
**Optional:** Screw covers are provided to conceal the screws on the exit handle if desired.



## 4.5 INSTALLATION



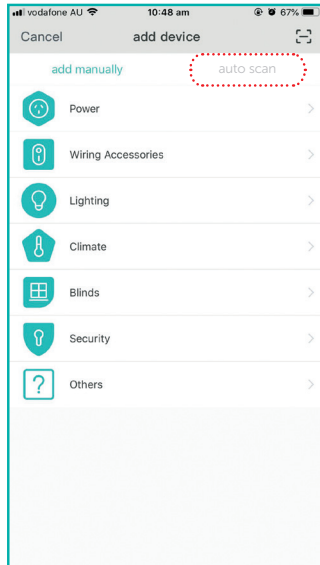
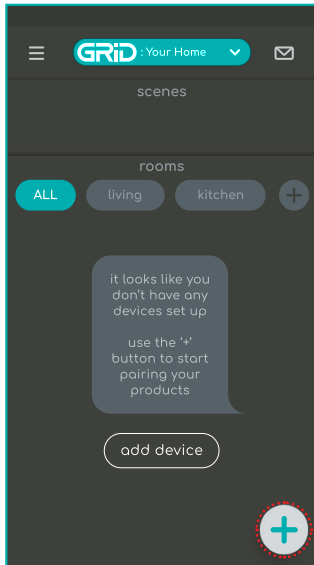
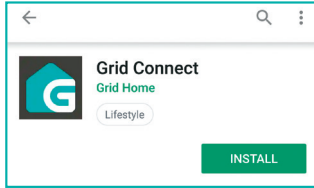
REAR (exit lever)



FRONT (locking lever)



# 5 APP PAIRING



Reference phone screens on the preceding pages may vary depending on the operating system version of your phone and any updates to the Grid Connect app. Contact our customer service team if you are unsure on how to pair your product.

## NEW ACCOUNT LOG IN SETUP



Download and install the **GRID Connect** App from Play Store (Android) or App Store (iOS),

Then follow the prompts to **create a new account** or **login** to an existing account.

1. On the Grid Connect app, press **+** in the bottom right corner, then select **auto scan**. The GRID Connect app will need access to Bluetooth to find your lock.
2. Press the fingerprint sensor to wake the device.
3. Once the device is discovered, follow the prompts to complete the pairing process.

**NOTE:** If your lock is reset or removed from the app, it may be unlocked and discoverable until it is paired.

**Optional:** Add a Grid Connect Bluetooth hub (sold separately) to connect the lock to Wi-Fi and manage your door access from anywhere. Follow the instructions provided with the hub to pair it to your account and bind your lock.



Visit our website for further Online Assistance or contact our Customer Service Team

## • WARRANTY

Allegion Australia PTY Ltd guarantees to repair or replace this product if within two (2) years from the proven date of purchase if it tarnishes, discolours or corrodes; or if within two (2) years from the proven date of purchase any mechanical defects occur; or if within two (2) years from the proven date of purchase any electrical defects occur.

Applies only when properly installed and subjected to no more than fair wear and tear.

This guarantee does not extend to labour costs, personal costs, death or injury, or economic, consequential or property damage of any kind whatsoever.

## • NOTES

*Gainsborough*  
LIBERTY



**ALLEGION™**

Allegion (Australia) Pty Ltd  
Phone 1800 098 094  
[Gainsboroughhardware.com.au](http://Gainsboroughhardware.com.au)

PDGA0110

CPIN007526