





# HEKMAN

A HOWARD MILLER COMPANY

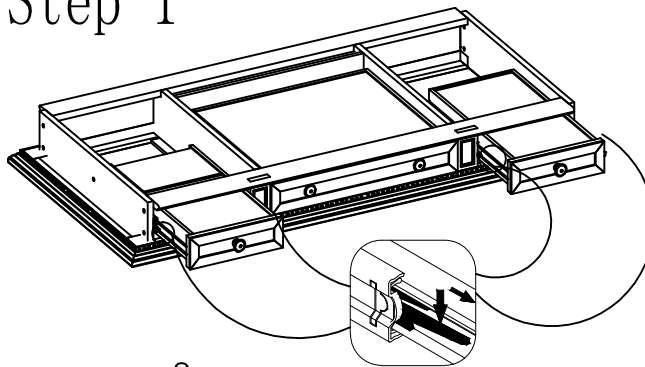
## ASSEMBLY INSTRUCTIONS

79308-*Writing Desk*

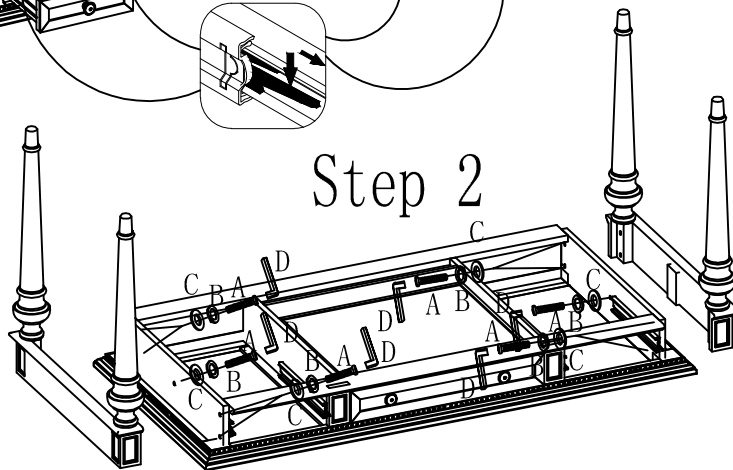
A		5/16 * 1-3/4"	10Pcs
B		5/16	10Pcs
C		5/16*19	10Pcs
D		4mm*80mm	1Pc



### Step 1



### Step 2



Step 1: Remove the end drawers - Open drawer fully to expose the release levers in the center of the drawer slide. Push the lever on the left side up, and the lever on the right side down to release drawer. With levers pushed gently tug the drawer out of the desk

Step 2: Place the top upside down on soft surface to prevent scratching

Step 3: Attach legs to top assembly with Bolt (A), lock washer (B) and flat washer (C) using wrench (D)

Step 4: Set desk upright and install the drawers

MADE IN VIETNAM