

Anthem® | K-26342

Four-port recessed mechanical thermostatic valve

Features

- High-flow thermostatic mixing valve
- Mechanically controlled thermostatic mixing valve maintains outlet temperature throughout shower experience
- Up to 8 gpm (30.3 lpm) flow rate at 45 psi (3.1 bar) with maximum flow of 7 gpm (26.5 lpm) from one outlet
- 3/4" female NPT inlet connections
- 1/2" female NPT outlet connections
- Service stops with integral filters
- Antiscald protection
- Integrated adjustable high-temperature limit stop to control maximum water temperature
- Adjustable comfort setting (preset at approximately 104°F)
- Includes optional flow restrictor, limiting total flow to 1.75 gpm (6.6 lpm), for installations where water conservation or CEC compliance is desired



DISCONTINUED



Codes/Standards

ASME A112.18.1/CSA B125.1
ASSE 1016/ASME A112.1016/CSA B125.16

Valves

Included Valve: Thermostatic

Shower Valve

Flow Rate Maximum @ 45 psi: 8 gpm (30.3 l/min)

Pressure: 45 psi (3.1 bar)

Maximum Static Pressure: 125 psi (8.6 bar)

Minimum Operating Pressure: 20 psi (1.4 bar)

Material

- Cast dezincification-resistant brass body provides long term reliability and resistance to aggressive water conditions
-

Required Products/Accessories

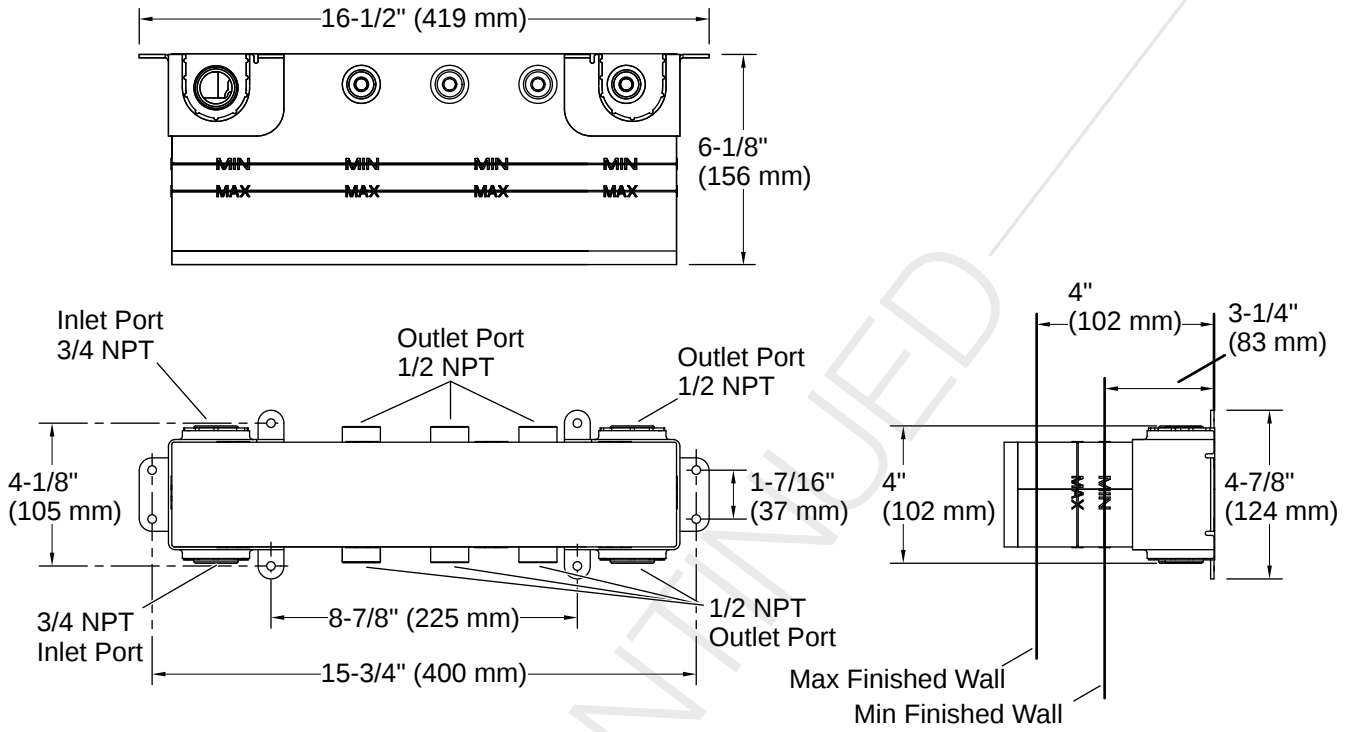
- K-26348-9 Four-outlet recessed mechanical thermostatic valve control
-

Warranty

See [website](#) for detailed warranty information.

KOHLER® Faucet Lifetime Limited Warranty





Installation

- Requires four-outlet thermostatic valve control panel trim with recessed push buttons (sold separately)
- Mounts within standard 2" x 4" (38 x 102 mm) walls
- Fully-serviceable from the front of the valve

Installation Notes

Install this product according to the installation instructions.

