




SYMMONS® DS Creations

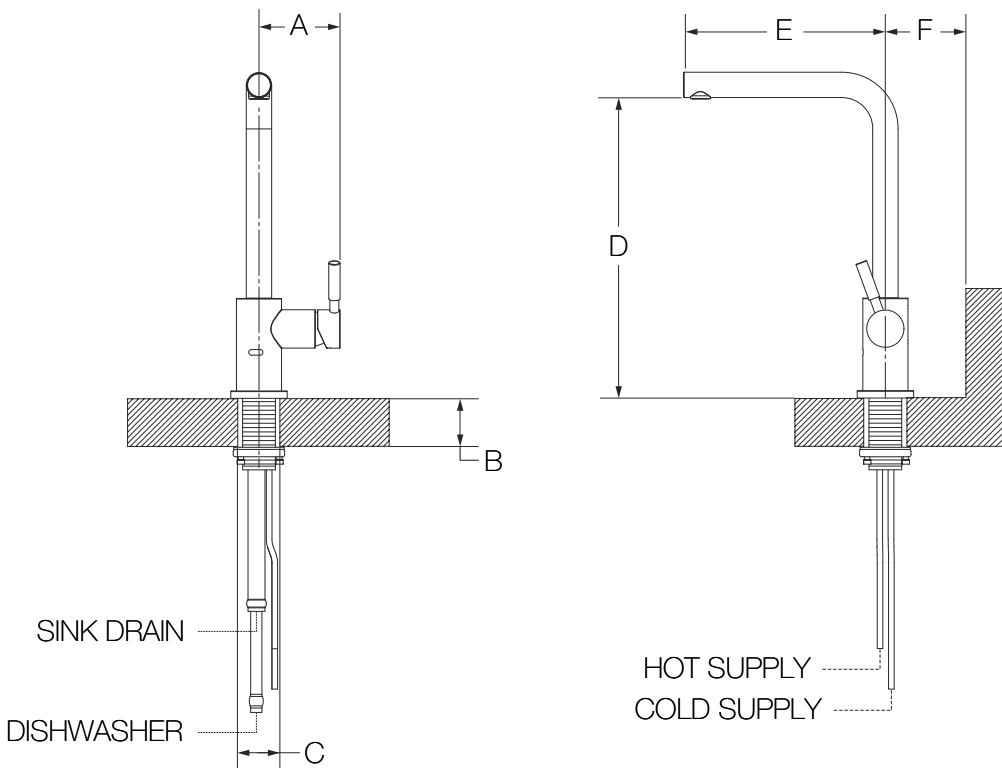
the smart choice™

SK-0349-AG Single Handle Kitchen Faucet with Integrated AirGap Installation Guide



Feature Highlights	Options/Modifications
<p>Single Handle Kitchen Faucet with Integrated AirGap shall include single hole mount configuration, ceramic cartridge, 3/8" compression connections and standard 2.2 gpm (8.3 L/min) aerator. Faucet shall be metal construction, plated in standard polished chrome finish.</p>	<p><input type="checkbox"/> -1.5 CG 1.5 gpm (5.7 L/min) aerator</p> <p><input type="checkbox"/> -STS Stainless Steel</p> <p>Note: Append appropriate -suffix to model number.</p>
Model Numbers	Compliance
<p><input type="checkbox"/> SK-0349-AG Single Handle Kitchen Faucet with Integrated Air Gap</p>	<p>-ASME A112.18.1/CSA B125.1</p> <p>-ASME A112.1.3</p> <p>-NSF/ANSI 61.9, NSF/ANSI 372</p> 
Warranty	
<p>Limited Lifetime - to the original end purchaser in consumer/residential installations.</p> <p>5 Years - for industrial/commercial installations.</p> <p>Go to www.symmons.com/warranty for complete warranty information.</p>	

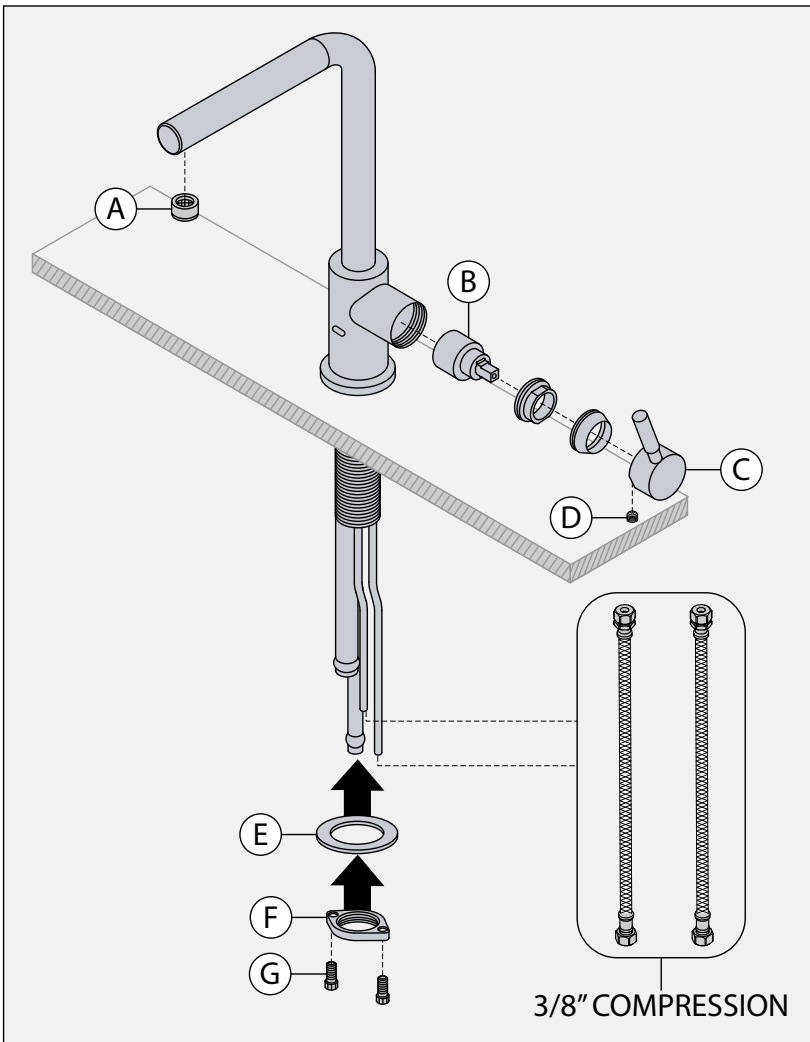
Dimensions


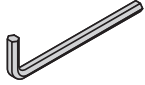
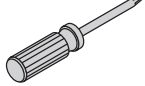

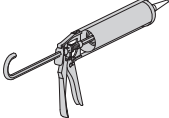


Measurements	
A	3-3/8", 86 mm
B	Deck Ref. Min. 3/4", 19 mm Max. 2-1/4", 57 mm
C	Hole Size Min. Ø 1-5/8", 41 mm Max. Ø 1-3/4", 44 mm
D	13-5/16", 338 mm
E	9-15/16", 252 mm
F	To Backsplash 2", 51 mm

Note: Dimensions subject to change without notice.

Parts Breakdown



Replacement Parts		
Item	Description	Part Number
A	1.5 Aerator 2.2 Aerator	RK-056-1.5 RK-056-2.2
B	Cartridge	KN-4
C	Handle	RK-037
D	Set Screw	RK-037
E	Mounting Washer	RK-038
F	Mounting Nut	
G	Mounting Screws	
Tools Required for Installation		
Adjustable Wrench		
Allen Wrench: Handle (2 mm)		
Phillips Head Screwdriver		
Plumber Tape		
Silicone		

Notes:

- 1) Apply a bead of silicone around the perimeter of trim installed flush to sink.
- 2) Apply plumber tape to all threaded connections.