

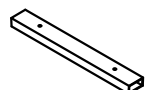
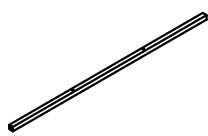
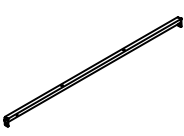
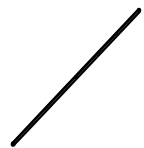
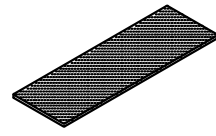


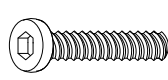

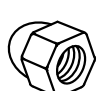

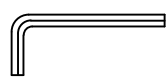

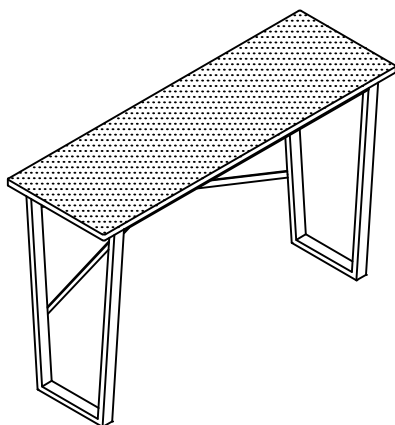


# ASSEMBLY INSTRUCTION

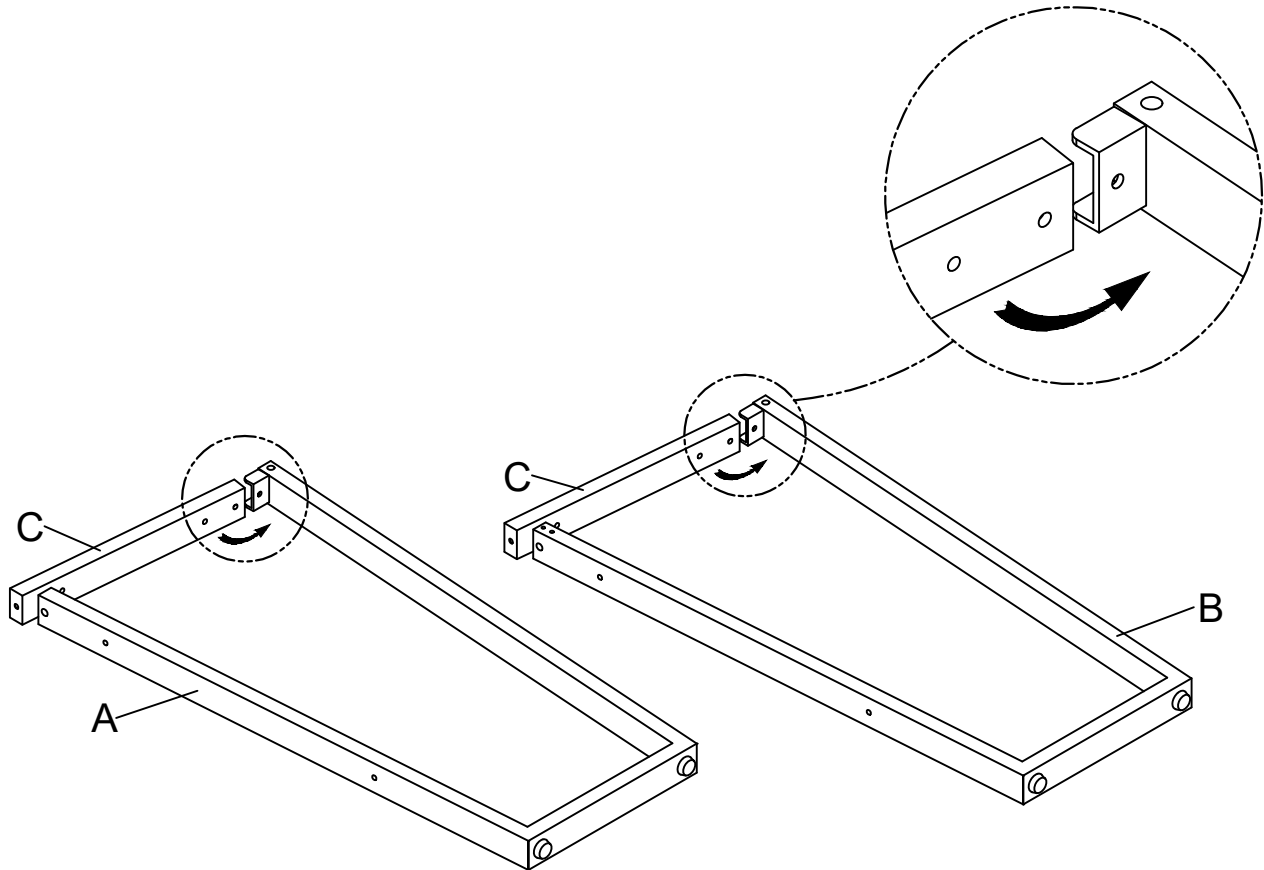
## E932-05 SOFA TABLE

|   |  |   |  |
|---|--|---|--|
| <b>A</b> Left Leg<br><br>1pc   | <b>B</b> Right Leg<br><br>1pc                               | <b>C</b> Short Bar<br><br>2pcs                              | <b>D</b> Front Slat<br><br>1pc                            |
| <b>E</b> Back Slat<br><br>1pc  | <b>F</b> Long Bar<br><br>2pcs                               | <b>G</b> Top Panel<br><br>1pc                               | <b>H</b> Bolt<br>$\text{Ø}1/4" \times 1-1/4"$<br><br>8pcs |
| <b>I</b> Bolt<br>$\text{Ø}1/4" \times 1/2"$<br><br>9pcs                | <b>J</b> Bolt<br>$\text{Ø}1/4" \times 1-1/4"$<br><br>2pcs | <b>K</b> Bolt<br>$\text{Ø}1/4" \times 2-1/2"$<br><br>2pcs | <b>L</b> Nut<br>$\text{Ø}1/4"$<br><br>1pc               |
| <b>M</b> Flat Washer<br>$\text{Ø}1/4" \times 16\text{mm}$<br><br>14pcs | <b>N</b> Allen Key<br>M4<br><br>1pc                       | <b>O</b> Wrench<br>$\text{Ø}1/4"$<br><br>1pc              |  |

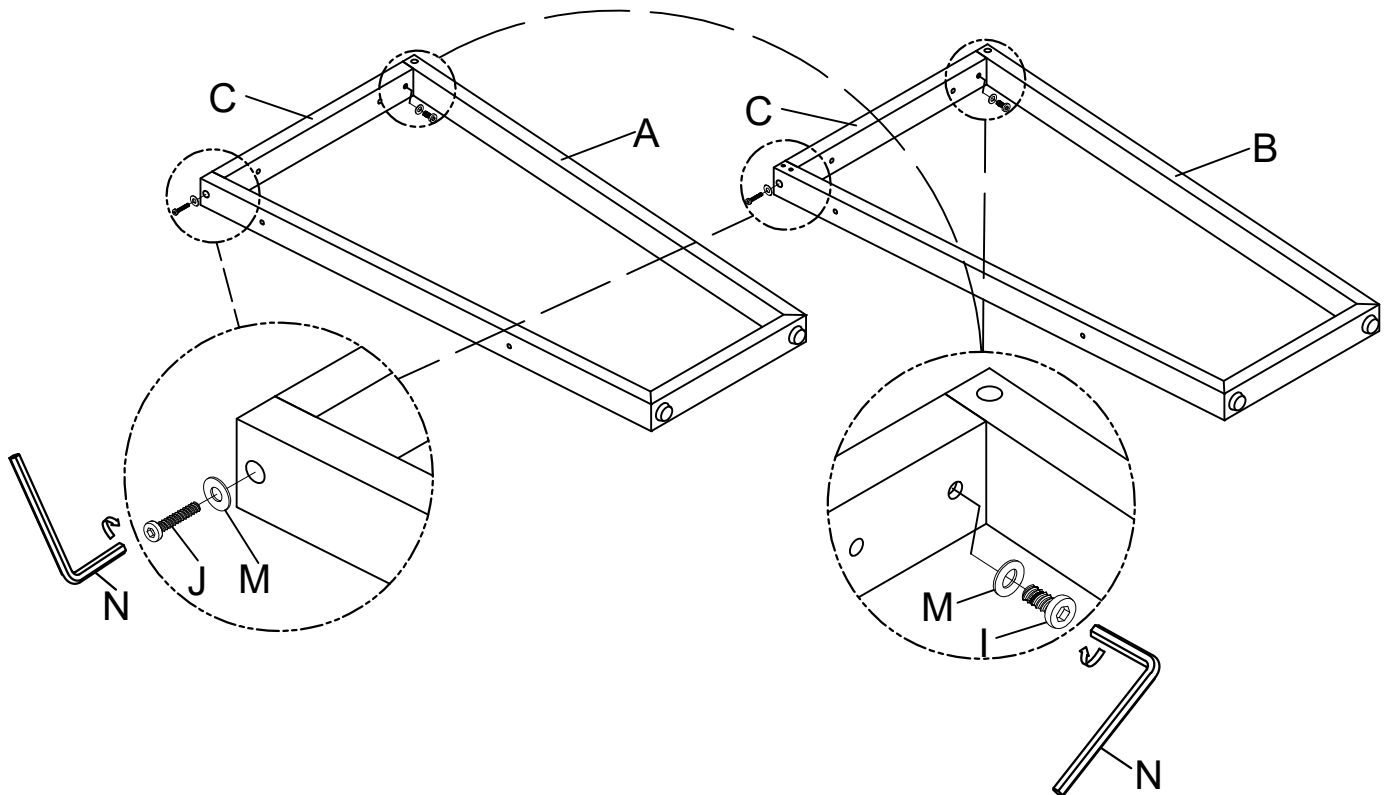


This page lists all the contents included in the box. Please take the time to identify the hardware as well as the individual components to this product. As you unpack and prepare for assembly, place the contents on a carpeted or padded area to protect them from damage.

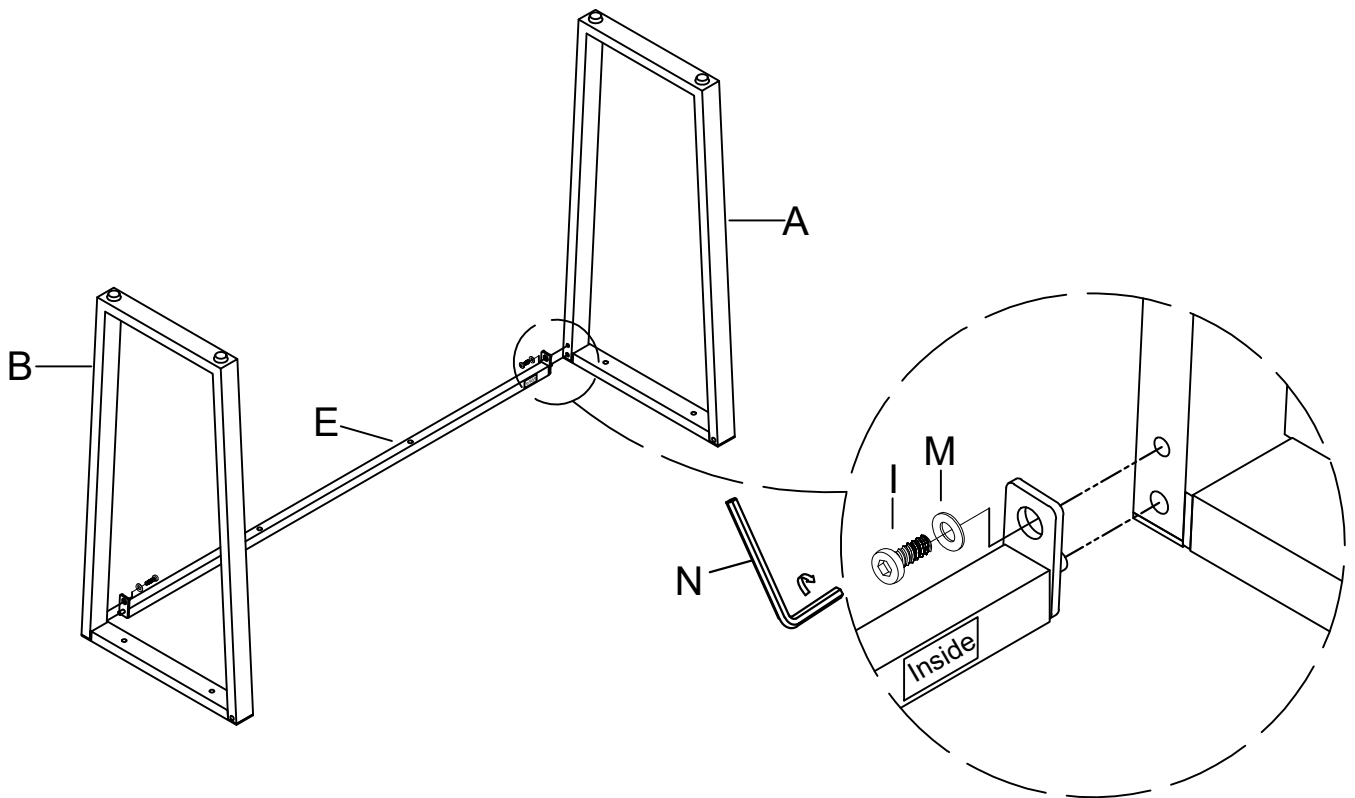
**1** Attach Short Bar (C) to Left Leg (A) and Right Leg (B).



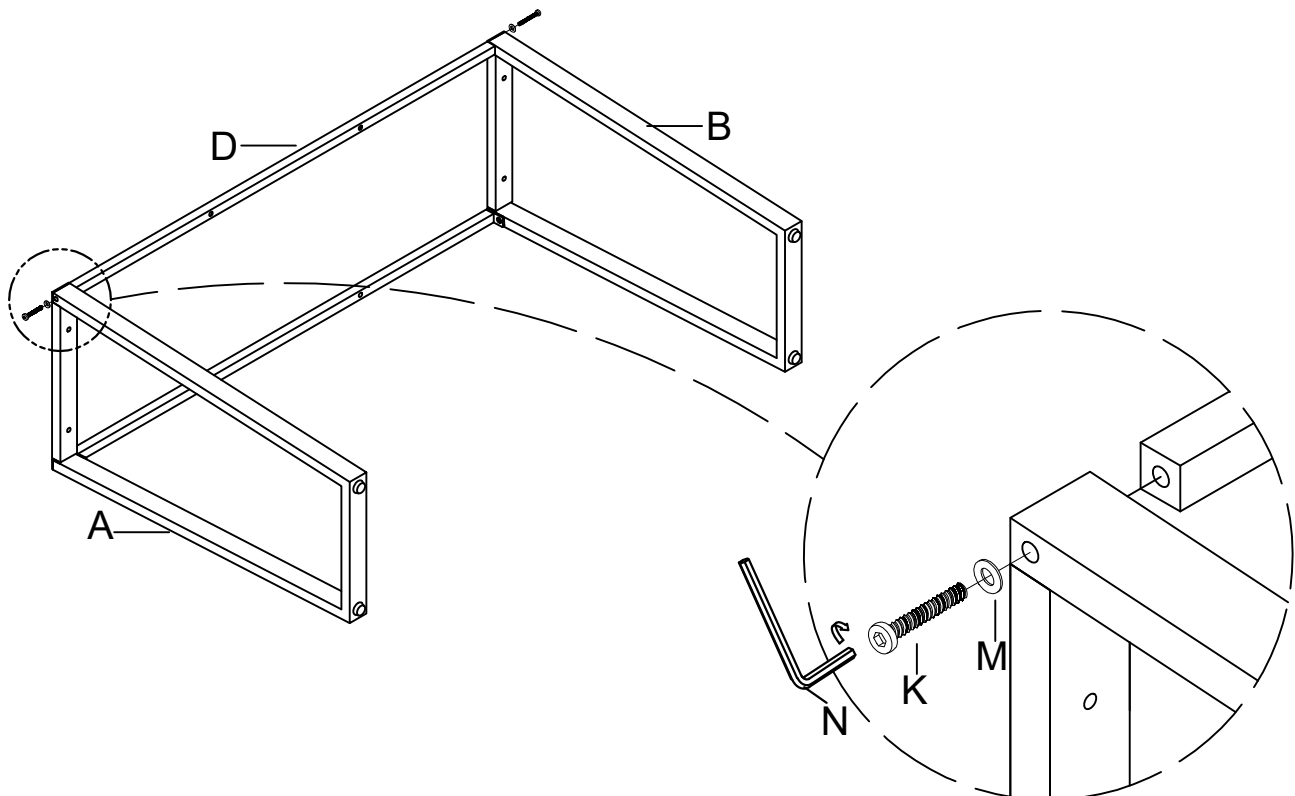
**2** And then use Bolt (I) & Bolt (J), Flat Washer (M) by Allen Key (N) to tighten the Short Bar (C) and Left Leg (A) & Right Leg (B).



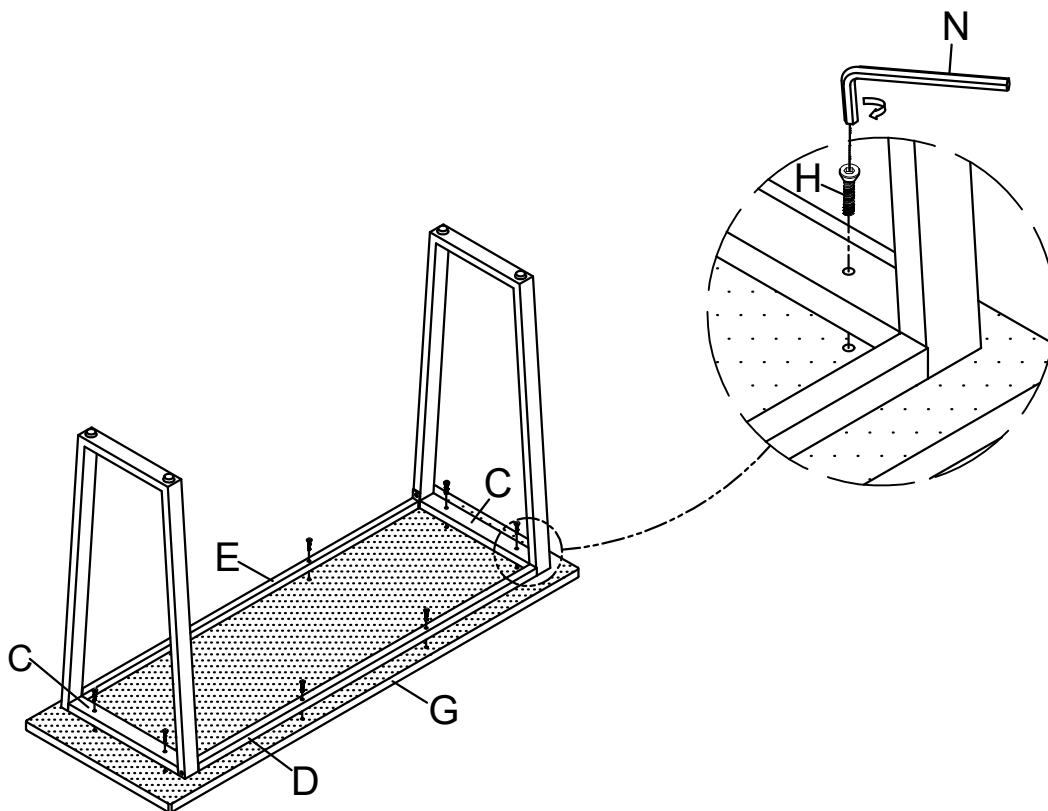
**3** Attach Back Slat (E) to Left Leg (A) and Right Leg (B) using Bolt (I), Flat Washer (M) by Allen Key (N).



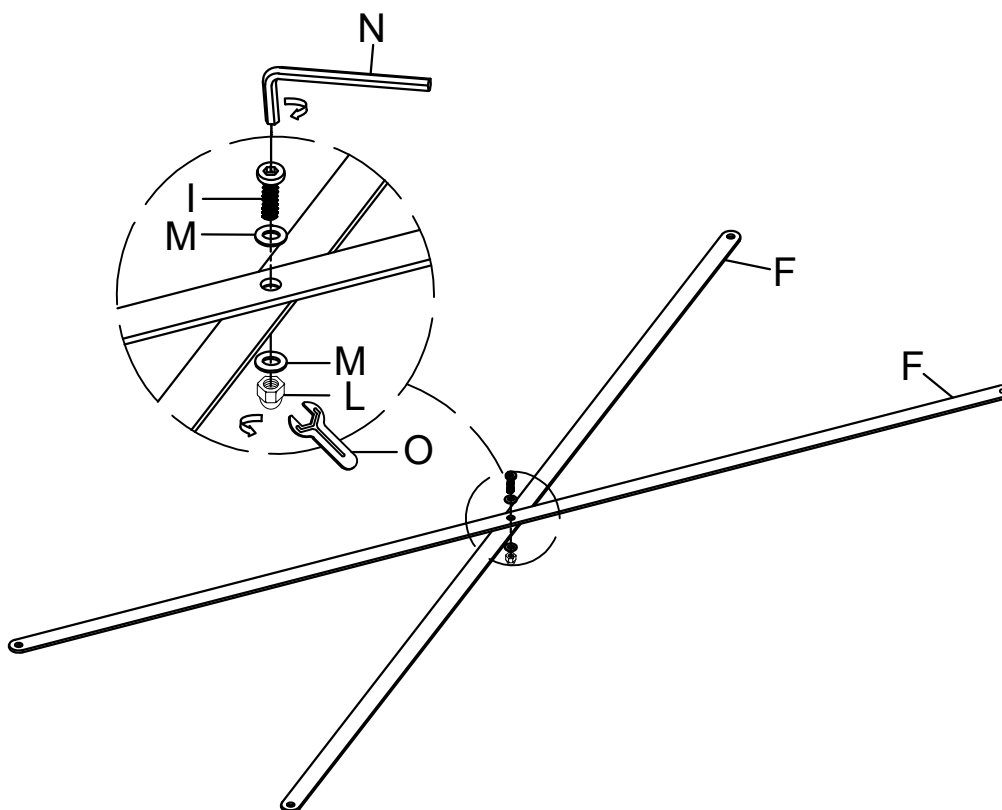
**4** Attach Front Slat (D) to Left Leg (A) and Right Leg (B) using Bolt (K), Flat Washer (M) by Allen Key (N).



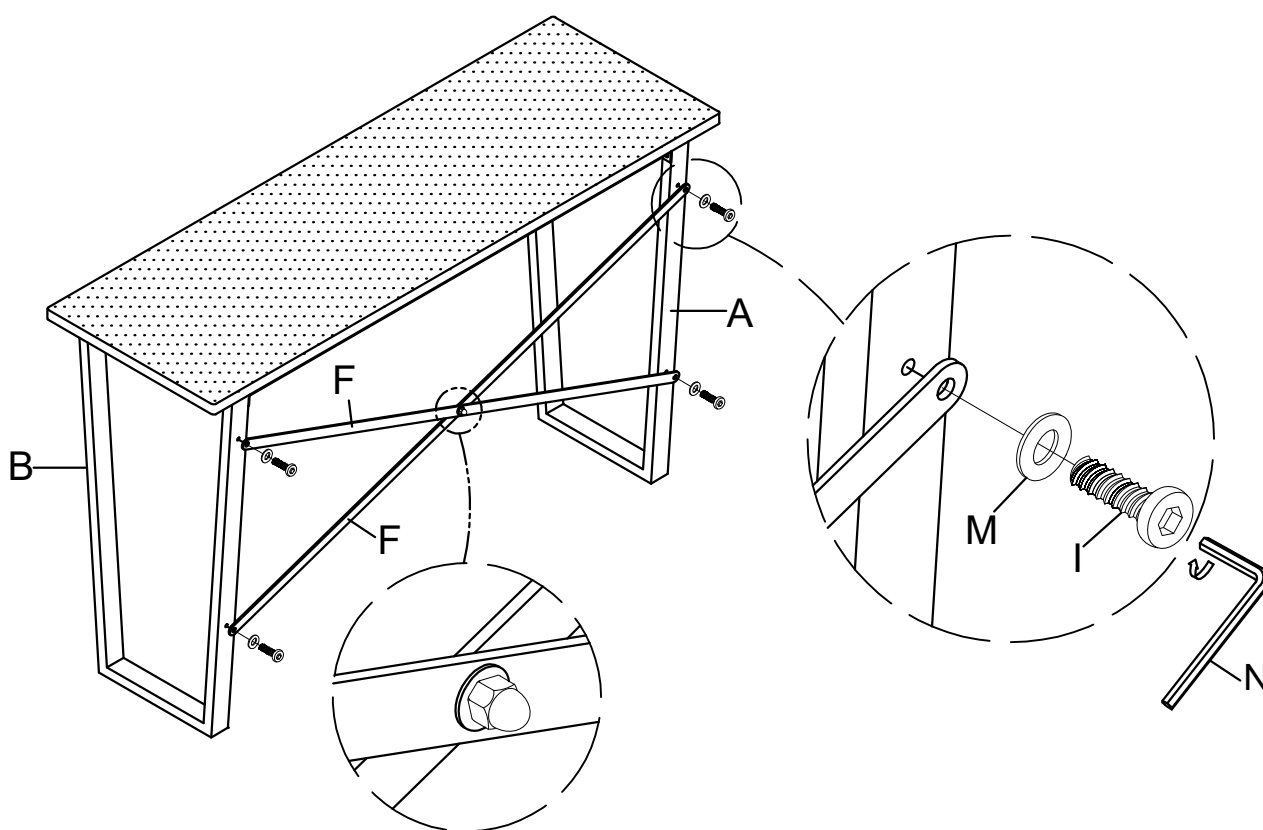
- 5** Attach Short Bar (C) and Front Slat (D) & Back Slat (E) to Top Panel (G) using Bolt (H) by Allen Key (N).



- 6** Assemble two Long Bar (F) together using Bolt (I), Flat Washer (M) by Allen Key (N), and tighten simultaneously with Nut (L), Flat Washer (M) by Wrench (O).



**7** Attach Long Bar (F) to Left Leg (A) and Right Leg (B) using Bolt (I), Flat Washer (M) by Allen Key (N).



**Remark: Adjust any parts out of alignment and tighten all bolts and screws from STEP 1 through STEP 7.**

### **Cleaning & Care**

Treat surface with care. Surface is resistant to scratches but is not scratch resistant. Clean surfaces with a dry or damp soft cloth. Do not use abrasive cleaners. Hardware may loosen over time. Periodically check that all connections are tight.