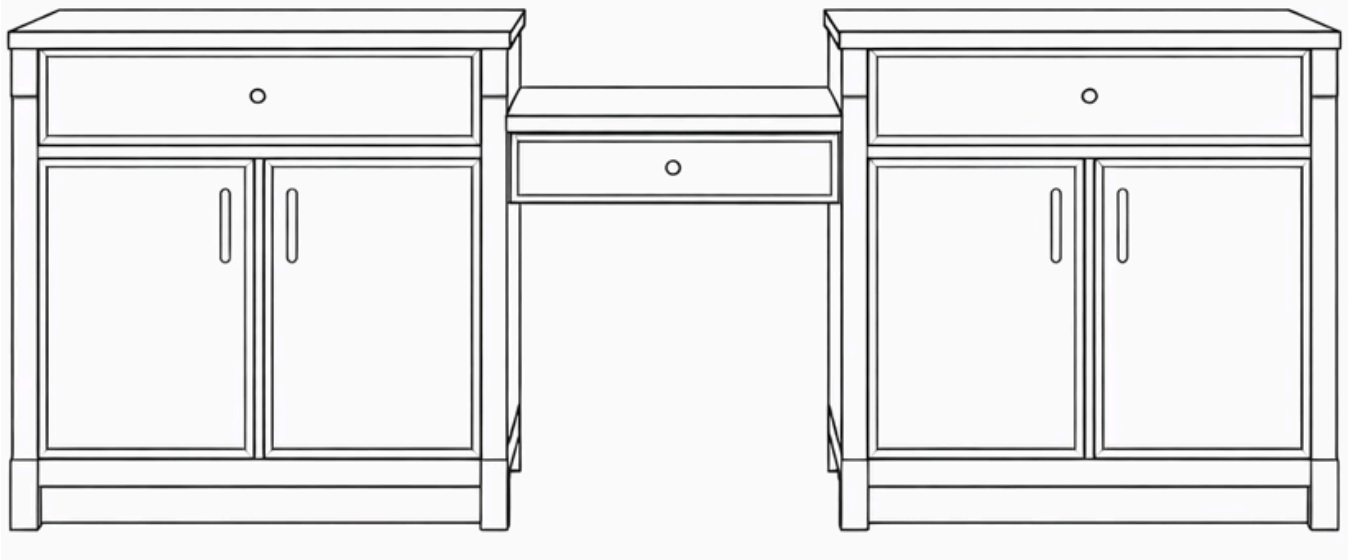


BELLSHIRE 96" DELUXE VANITY

660-VMC96-BW
660-VMC96-HNO

JAMES MARTIN
VANITIES®



Set Includes

- (2) 36" Bellshire Cabinets
- (2) 36" Vanity Tops
- (2) Rectangular Undermount Sinks
- (1) 24" Drawer Unit
- (1) 24" Drawer Unit Top
- Backsplash Options:
 - Matching backsplash available for most vanity tops. See website for full options.
 - Backsplashes are not available for drawer units.
 - *If single-hole White Zeus Silestone tops are ordered, product will contain (2) matching backsplashes.*

Assembled Dimensions

Width: 96"

Depth: 23-1/2"

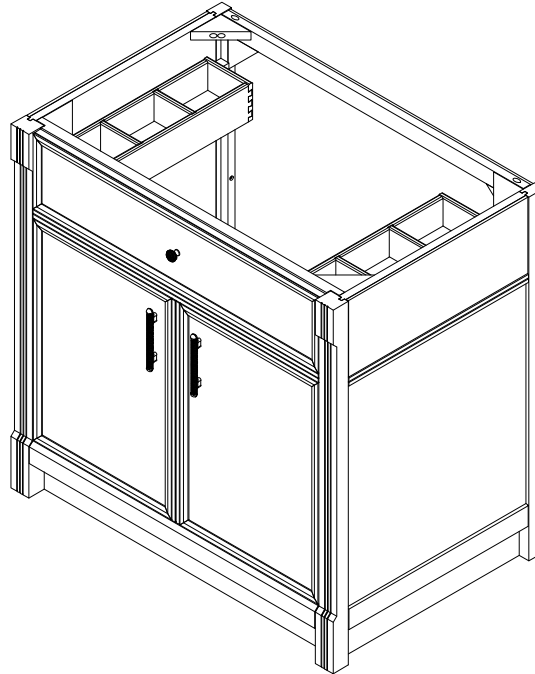
Height: 35-15/16"

Rough-In Height: 21"

BELLSHIRE 36" SINGLE VANITY

660-V36-HNO
660-V36-BW

JAMES MARTIN VANITIES®



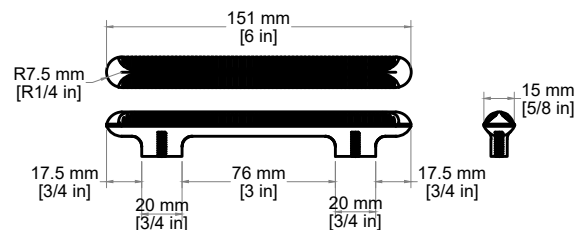
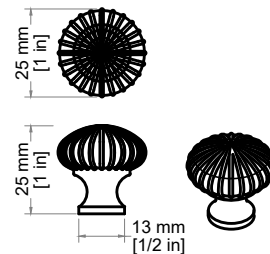
Features and Materials

- Solids: Poplar
- Veneers: Poplar
- Panels: MDF Moisture-Resistant
- Installation Type: Freestanding with Legs
- Number of Basins: One, With Optional 3cm Top
- Number of Doors: Two
- Number of Drawers: Three
- Drawer Box Material and Construction: 12mm, MDF Moisture-Resistant English Dovetail Joinery
- Assembly Type: Installation of Optional 3cm Top with Sink
- Assembly Type: Cabinet comes fully assembled
- Hardware Material and Finish: Antimony & Champagne Brass.
- Fits Drain Hole Size: 1 3/4"
- Full Extension, Soft Close Glides
- European Soft Close Hinges
- Adjustable Levelers

Dimension

- Width: 35-5/8"
- Depth: 23-1/4"
- Height: 34-3/4"
- Rough-In Height: 21"

Knob

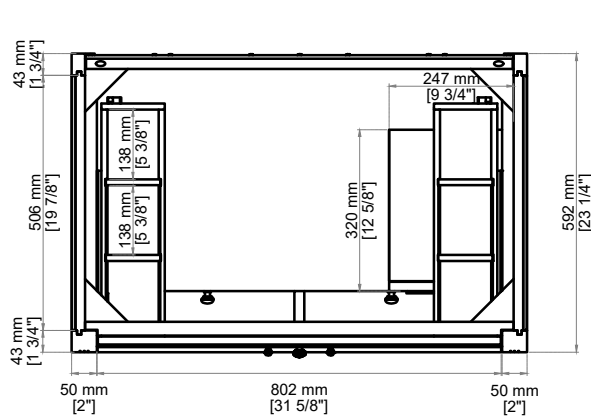


Visit website for warranty and installation information
<http://www.jamesmartinvanities.com>

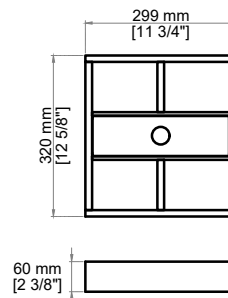
BELLSHIRE 36" SINGLE VANITY

660-V36-HNO
660-V36-BW

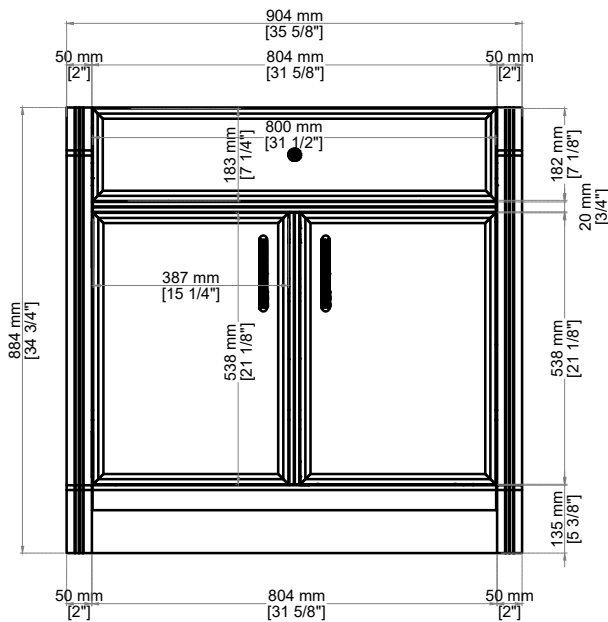
JAMES MARTIN VANITIES®



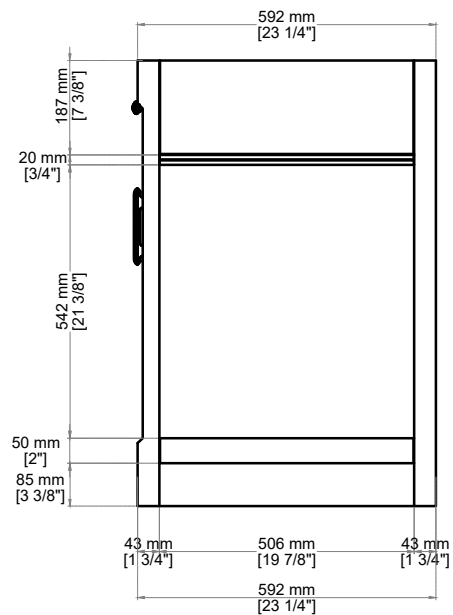
Top View



Organizer



Front View



Side View

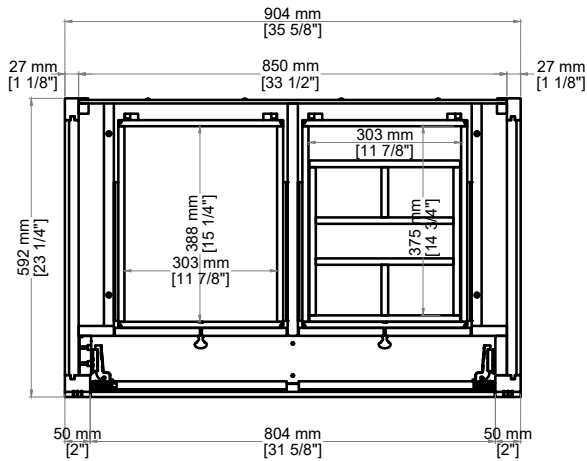
All dimensions are nominal

Diagrams are of cabinet only-James Martin Optional Countertops and sinks are not shown

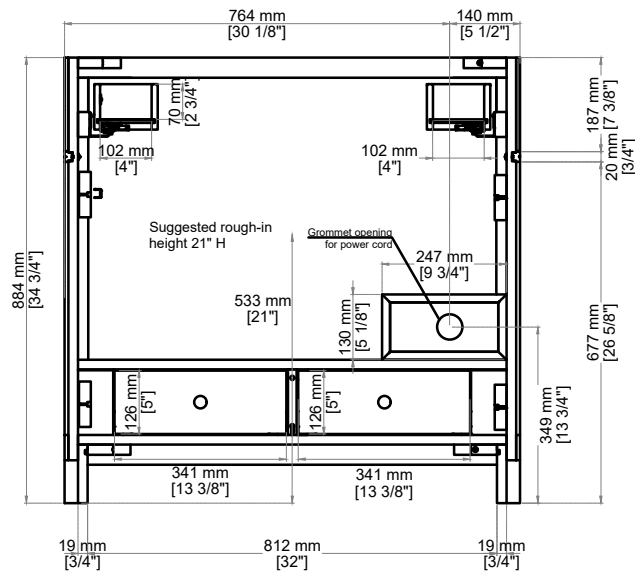
Visit website for warranty and installation information
<http://www.jamesmartinvanities.com>

BELLSHIRE 36" SINGLE VANITY

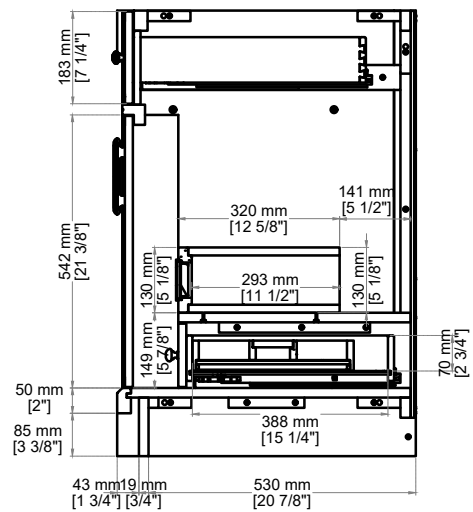
660-V36-HNO
660-V36-BW



Top View



Back View



Side View

All dimensions are nominal

Diagrams are of cabinet only-James Martin Optional Countertops and sinks are not shown

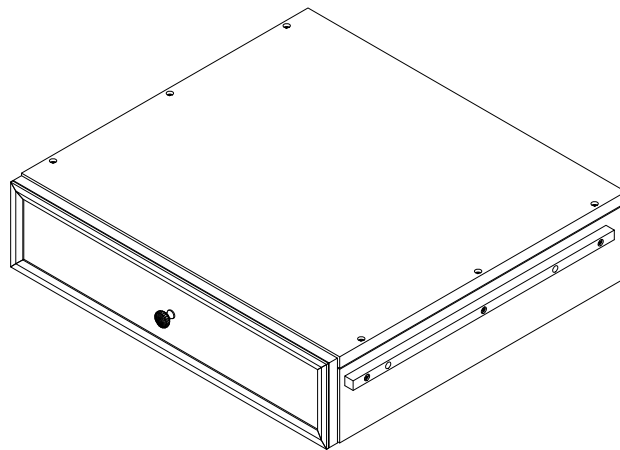
Visit website for warranty and installation information

<http://www.jamesmartinvanities.com>

BELLSHIRE 24" MAKE UP COUNTER

660-MC24-HNO
660-MC24-BW

JAMES MARTIN VANITIES®

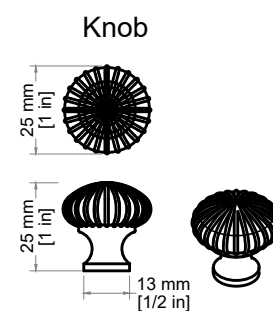


Features and Materials

Solids: Poplar
Veneers: Poplar
Panels: MDF Moisture-Resistant
Installation Type: Wall-mounted
Number of Drawers: One
Drawer Box Material and Construction: 12mm, MDF Moisture-Resistant
English Dovetail Joinery
Assembly Type: Cabinet comes fully assembled
Hardware Material and Finish: Antimony & Champagne Brass.
Full Extension, Soft Close Glides

Dimension

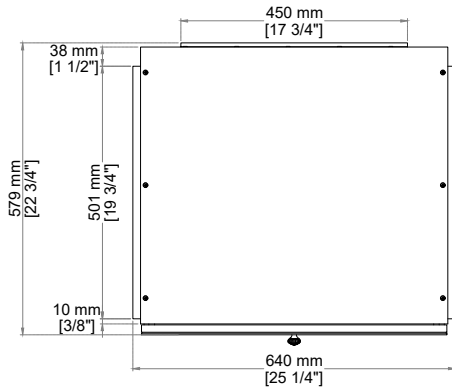
Width: 25-1/4"
Depth: 22-3/4"
Height: 5-5/8"



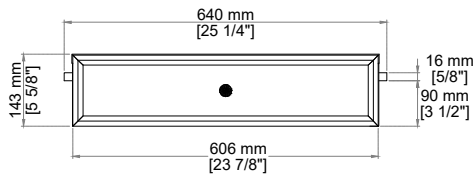
Visit website for warranty and installation information
<http://www.jamesmartinvanities.com>

BELLSHIRE 24" MAKE UP COUNTER

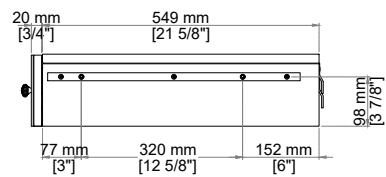
660-MC24-HNO
660-MC24-BW



Top View



Front View



Side View

All dimensions are nominal

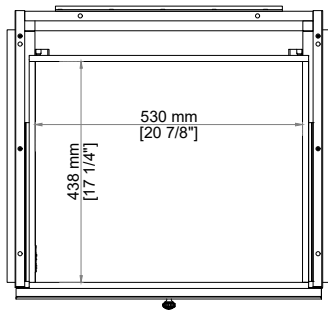
Diagrams are of cabinet only-James Martin Optional Countertops and sinks are not shown

Visit website for warranty and installation information
<http://www.jamesmartinvanities.com>

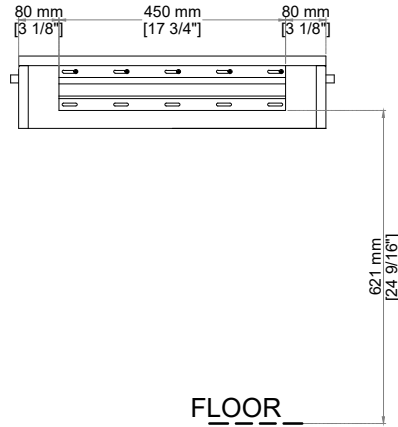
BELLSHIRE 24" MAKE UP COUNTER

660-MC24-HNO
660-MC24-BW

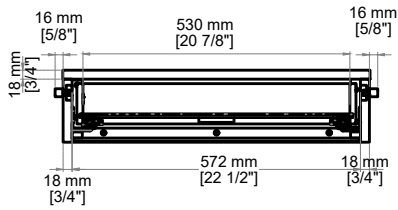
JAMES MARTIN VANITIES®



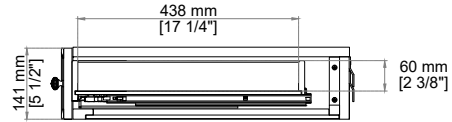
Top View



FLOOR



Back View



Side View

All dimensions are nominal

Diagrams are of cabinet only-James Martin Optional Countertops and sinks are not shown

Visit website for warranty and installation information
<http://www.jamesmartinvanities.com>

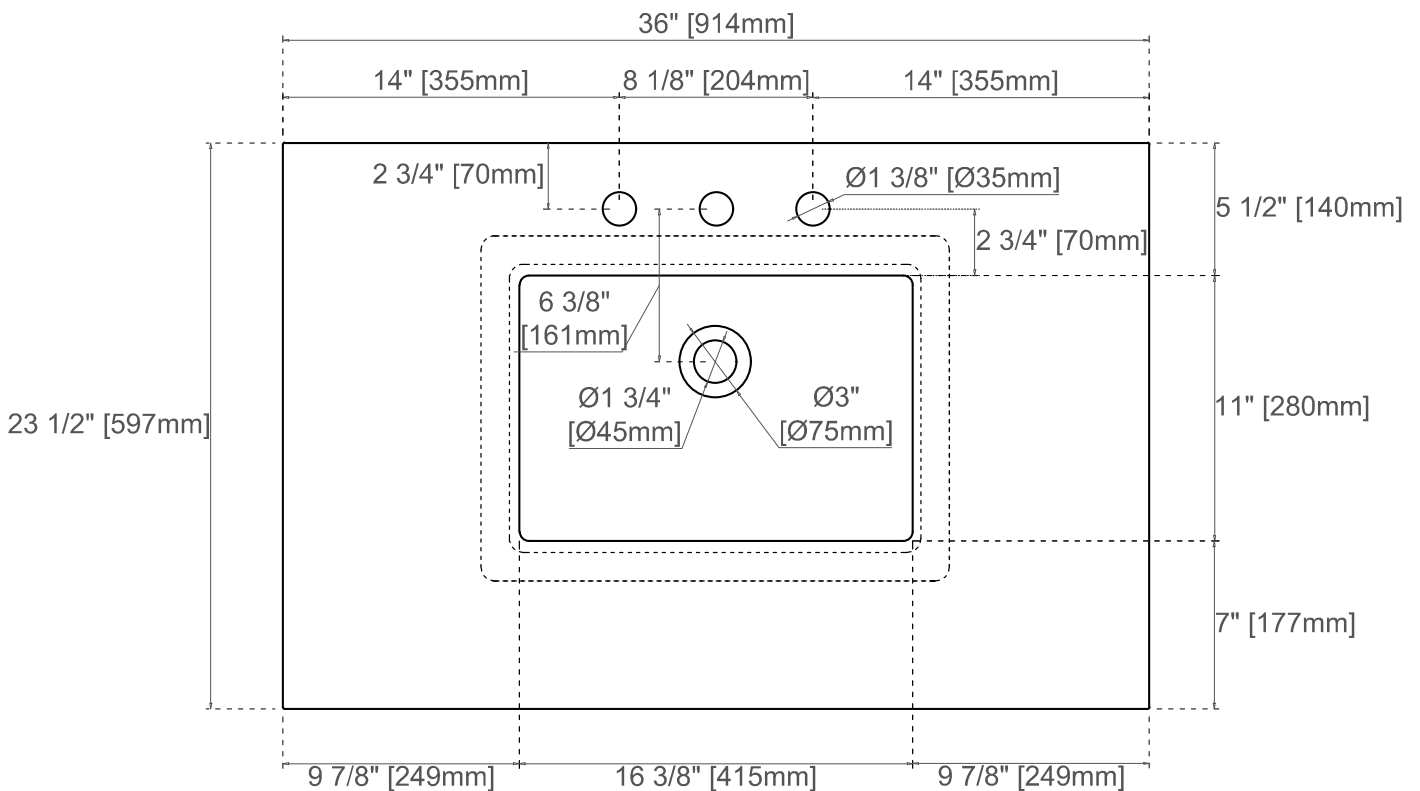
**36" 3CM 050 SERIES
SILESTONE®
COUNTERTOPS**

JAMES MARTIN
VANITIES

Silestone® by Cosentino

Silestone is a hybrid surface of premium minerals, recycled materials, resins, and pigments that produce a hygienic, high-performance, stain and scratch-resistant surface.

The production process of Silestone employs an innovative and sustainable technology known as HybriQ. This groundbreaking technology employs an innovative hybrid composition that significantly reduces the utilization of crystalline silica, ensuring that it does not exceed 50%. This revolutionary formulation is meticulously crafted utilizing 99% recycled water and 100% electrical energy derived exclusively from renewable sources.



All dimensions are nominal

Visit website for warranty and installation information
www.jamesmartinvanities.com

Version: 202301

Silestone Care and Maintenance

Silestone's hybrid composition consisting of premium minerals, quartz, and recycled materials makes it highly resistant to stains, preventing them from penetrating the surface and making daily cleaning easy and quick.

Routine Care: Simply wipe your Silestone surface with soap and water on a regular basis to maintain its beauty. For deeper cleaning, use any Ph-balanced (less than 10) general-purpose household cleaner. Q-Action cleaner is especially effective for the disinfection of kitchen countertops.

Using sealants and water repellants is not necessary to maintain the original sheen of your Silestone quartz top. Avoid using these products as they can create an undesirable build-up over time. If the surface of your Silestone countertop loses sheen, you may apply food-safe furniture spray.

Light Stains: Apply a small amount of a general-purpose household cleaner to the stain, let sit for 2 minutes and rub with a non-scratch scouring pad. Rinse immediately with water. For stains that harden as they dry, remove by gently scraping the surface with a razor blade or putty knife, holding it upright to avoid scratching the surface. Clean using warm, soapy water and rinse thoroughly.

Difficult/Stubborn Stains: The following products may be applied and let stand for 10 minutes before scrubbing and rinsing thoroughly. Caution should be exercised in the handling and storage of these chemicals.

Lacquer Thinner – Rubbing Alcohol – Ammonia – Mineral Spirits

Hardwater Stains: Apply a paste from equal parts baking soda and white vinegar. Let sit on the surface for 10-20 minutes and rub with a non-scratch pad. Rinse immediately with water.

General Precautions

Avoid using the following:

- Chlorine-based products
- Degreasing agents such as those used in oven cleaners
- Products high in alkaline (Ph over 10)

Heat Precautions

Although Silestone can withstand high temperatures for short periods of time, its performance varies with respect to different factors like thickness, color, location, etc. For this reason, it is not recommended that the product be exposed to sustained contact with a heat source, like curling irons, nor should hot saucepans, frying pans, deep-fat fryers, etc, be placed on it. The use of a hot pad or trivet is recommended in such situations.

Sun Exposure

- Silestone quartz is not intended for outdoor use
- Avoid places with UV lighting

Repairs

One of the most effective solutions for repairing scratches is to carefully fill them with grout or silica gel. Marble paste is also highly effective.

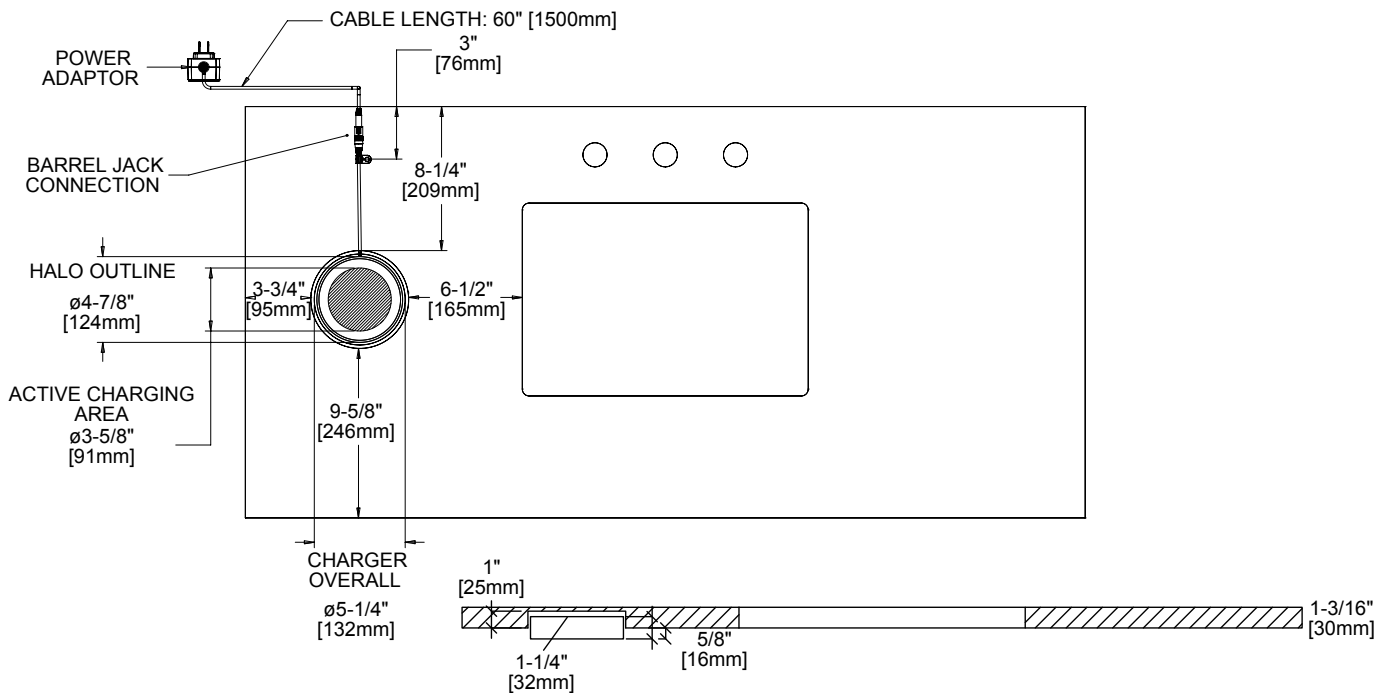
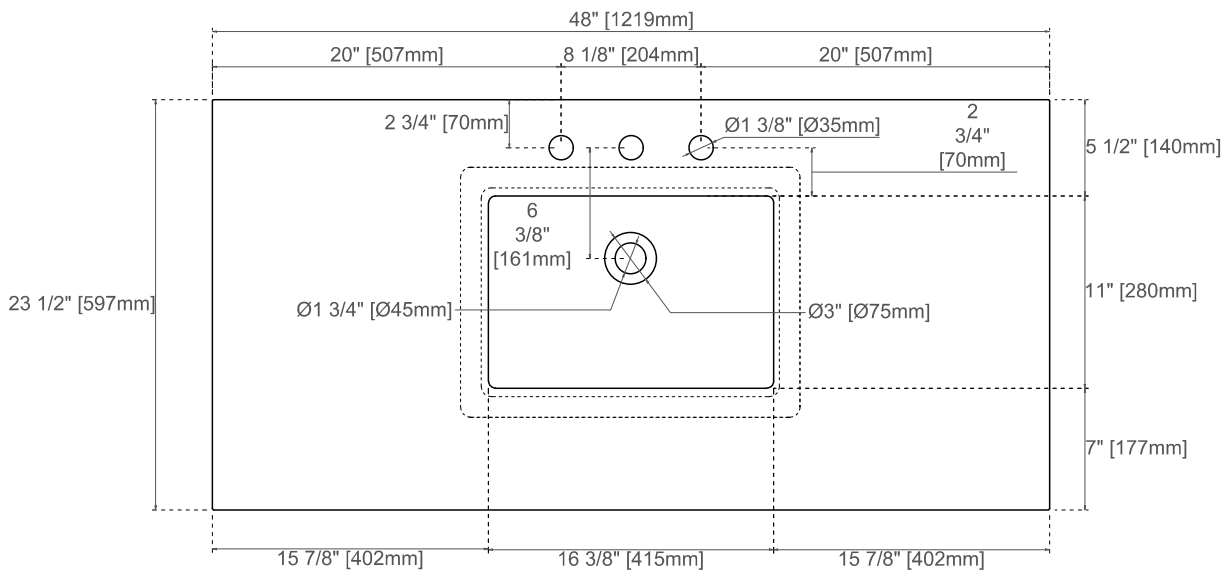
Because each type of damage needs to be carefully considered to determine the proper care method, we recommend consulting a professional.

**48" 3CM 050 SERIES
FREEPOWER WIRELESS CHARGING
ĒCLOS® COUNTERTOPS**

**JAMES MARTIN
VANITIES**

ĒCLOS with INLAYR Technology

ĒCLOS is the next generation of high-performance mineral surfaces, featuring a layered full-body integrated design and superior heat resistance. Thanks to its INLAYR technology, the production of ĒCLOS products combines minerals and recycled materials with a low-crystalline silica composition, through an advanced process of robotic engineering and integrated decorative techniques, resulting in the first collection with zero crystalline silica in its composition.



All dimensions are nominal

Visit website for warranty and installation information
www.jamesmartinvanities.com

Version: 202511

Ēclos Care and Maintenance

ĒCLOS materials have been designed to offer exceptional performance and aesthetics, making them the ideal choice for bathroom countertops. However, as with any high-end material, they are not completely unalterable. To ensure its useful life and preserve its beauty, it is important to follow some basic recommendations for use and maintenance.

Daily Maintenance: To maintain the appearance and performance of the material, it is recommended to clean stains and residue as soon as possible with a soft cloth, neutral soap and water. Avoid water puddling on the surface.

Cleaning: Avoid using cleaning products, aggressive solvents, strong acids, abrasive scouring pads, as they can damage the finish and properties of the material.

Applying hot tap water, along with a soft cloth and a neutral detergent, helps dissolve greasy and stuck-on residue, making it easier to remove without damaging the surface.

For stubborn stains, follow these guidelines:

Water and Lime Stains

Neutral anti-scale products applied with wet sponge

Other Stains

Oxygenated cleaners with a maximum hydrogen peroxide concentration of 5.5% applied with a wet sponge.

Impact Resistance Defined

Although Ēclos is durable, careful use will extend its lifespan. Handle heavy and sharp objects with care near the surface, avoiding sudden impact.

Heat Precautions

Although Ēclos is designed to withstand high temperatures for short periods of time, it is not recommended that the product be exposed to sustained contact with a heat source, like curling irons. The use of a trivet is recommended in such situations.

UV Exposure

Avoid direct sunlight, as it can visually alter the material over time. To fully enjoy the original design and color of Ēclos, we recommend using LED or fluorescent lighting.

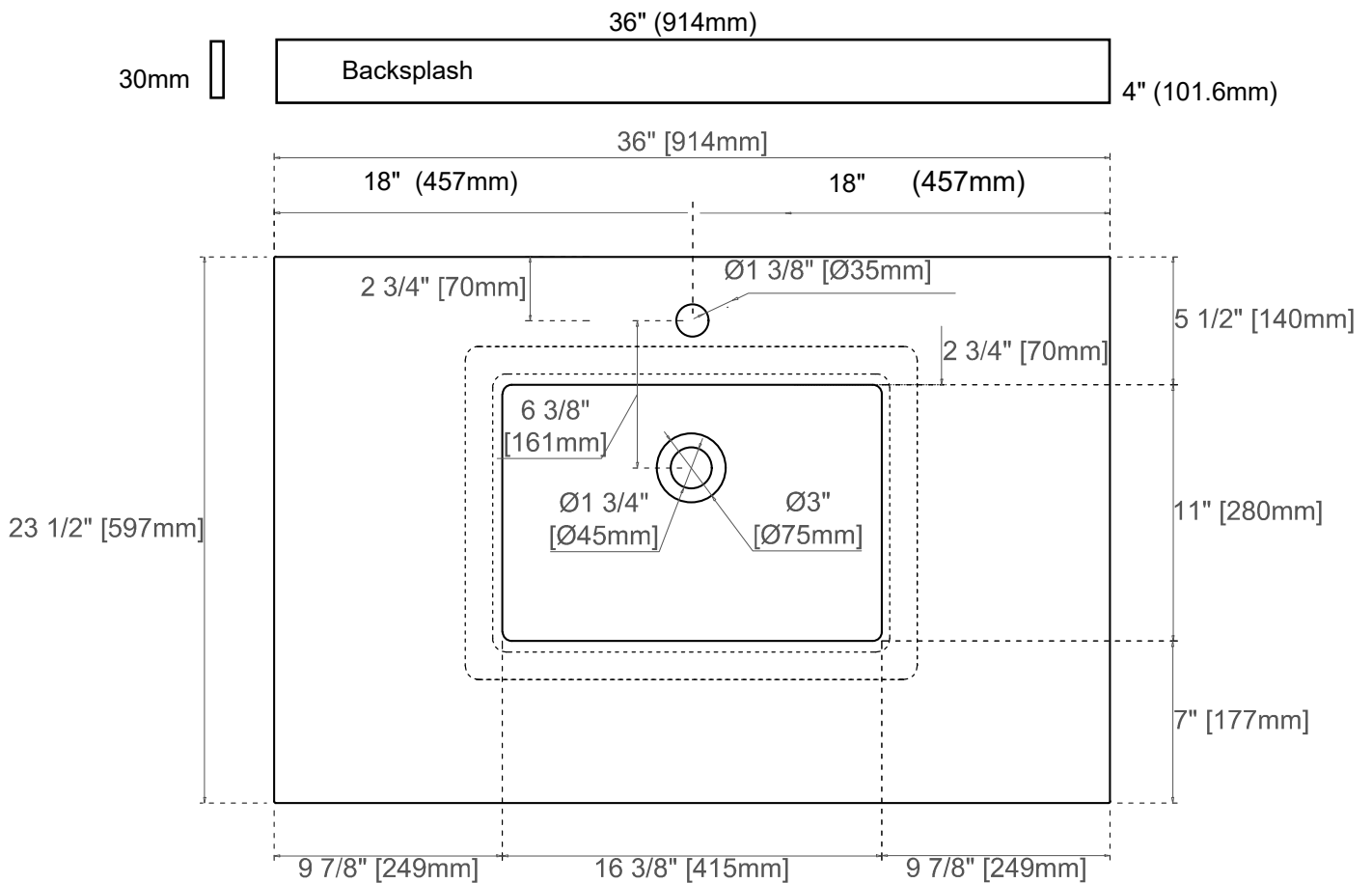
**36" 3CM 051 SERIES
SILESTONE®
QUARTZ COUNTERTOPS WITH BACKSPLASH**

JAMES MARTIN
VANITIES

Silestone® by Cosentino

Silestone is a hybrid surface of premium minerals, recycled materials, resins, and pigments that produce a hygienic, high-performance, stain and scratch-resistant surface.

The production process of Silestone employs an innovative and sustainable technology known as HybriQ. This groundbreaking technology employs an innovative hybrid composition that significantly reduces the utilization of crystalline silica, ensuring that it does not exceed 50%. This revolutionary formulation is meticulously crafted utilizing 99% recycled water and 100% electrical energy derived exclusively from renewable sources.



All dimensions are nominal

Visit website for warranty and installation information
www.jamesmartinvanities.com

Version: 202301

Silestone Care and Maintenance

Silestone's hybrid composition consisting of premium minerals, quartz, and recycled materials makes it highly resistant to stains, preventing them from penetrating the surface and making daily cleaning easy and quick.

Routine Care: Simply wipe your Silestone surface with soap and water on a regular basis to maintain its beauty. For deeper cleaning, use any Ph-balanced (less than 10) general-purpose household cleaner. Q-Action cleaner is especially effective for the disinfection of kitchen countertops.

Using sealants and water repellants is not necessary to maintain the original sheen of your Silestone quartz top. Avoid using these products as they can create an undesirable build-up over time. If the surface of your Silestone countertop loses sheen, you may apply food-safe furniture spray.

Light Stains: Apply a small amount of a general-purpose household cleaner to the stain, let sit for 2 minutes and rub with a non-scratch scouring pad. Rinse immediately with water. For stains that harden as they dry, remove by gently scraping the surface with a razor blade or putty knife, holding it upright to avoid scratching the surface. Clean using warm, soapy water and rinse thoroughly.

Difficult/Stubborn Stains: The following products may be applied and let stand for 10 minutes before scrubbing and rinsing thoroughly. Caution should be exercised in the handling and storage of these chemicals.

Lacquer Thinner – Rubbing Alcohol – Ammonia – Mineral Spirits

Hardwater Stains: Apply a paste from equal parts baking soda and white vinegar. Let sit on the surface for 10-20 minutes and rub with a non-scratch pad. Rinse immediately with water.

General Precautions

Avoid using the following:

- Chlorine-based products
- Degreasing agents such as those used in oven cleaners
- Products high in alkaline (Ph over 10)

Heat Precautions

Although Silestone can withstand high temperatures for short periods of time, its performance varies with respect to different factors like thickness, color, location, etc. For this reason, it is not recommended that the product be exposed to sustained contact with a heat source, like curling irons, nor should hot saucepans, frying pans, deep-fat fryers, etc, be placed on it. The use of a hot pad or trivet is recommended in such situations.

Sun Exposure

- Silestone quartz is not intended for outdoor use
- Avoid places with UV lighting

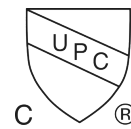
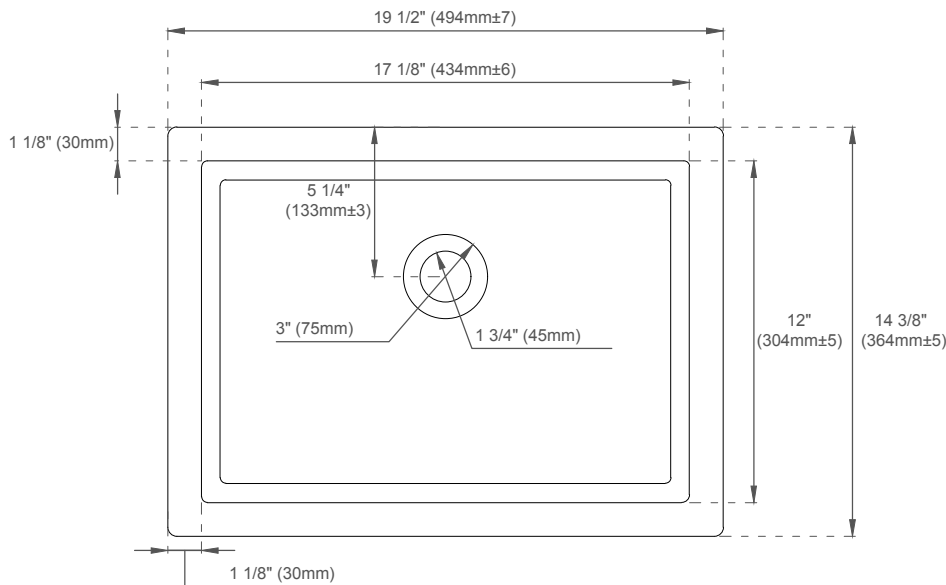
Repairs

One of the most effective solutions for repairing scratches is to carefully fill them with grout or silica gel. Marble paste is also highly effective.

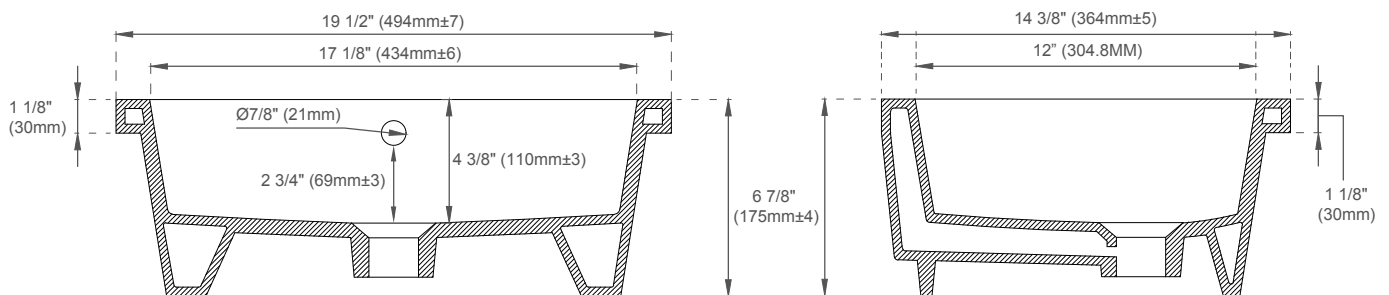
Because each type of damage needs to be carefully considered to determine the proper care method, we recommend consulting a professional.

SNK-RF RECTANGULAR PORCELAIN UNDERMOUNT SINK

JAMES MARTIN
VANITIES



ASME A112.19.2/CSA B45.1



FEATURES:

- Designed to fit with all James Martin Vanities with a 3cm Silestone quartz top
- Sink Material: Porcelain
- Integrated overflow
- Sink shape: Rectangular with straight sides
- Sink ships in a separate carton from top and vanity
- Sink clips and hardware are not included. All mounting hardware ships with the 3cm quartz tops
- Drain included: NO
- Faucet included: NO
- Overflow cover: NO

EXTERNAL DIMENSIONS:

Length: 19-1/2"
Width: 14-3/8"
Height: 6-7/8"

INTERNAL BASIN DIMENSIONS:

Basin Length: 17-1/8"
Basin Width: 12"
Basin Depth: 4-3/8"
Fits Drain Hole Size: 1-1/2"

All dimensions are nominal

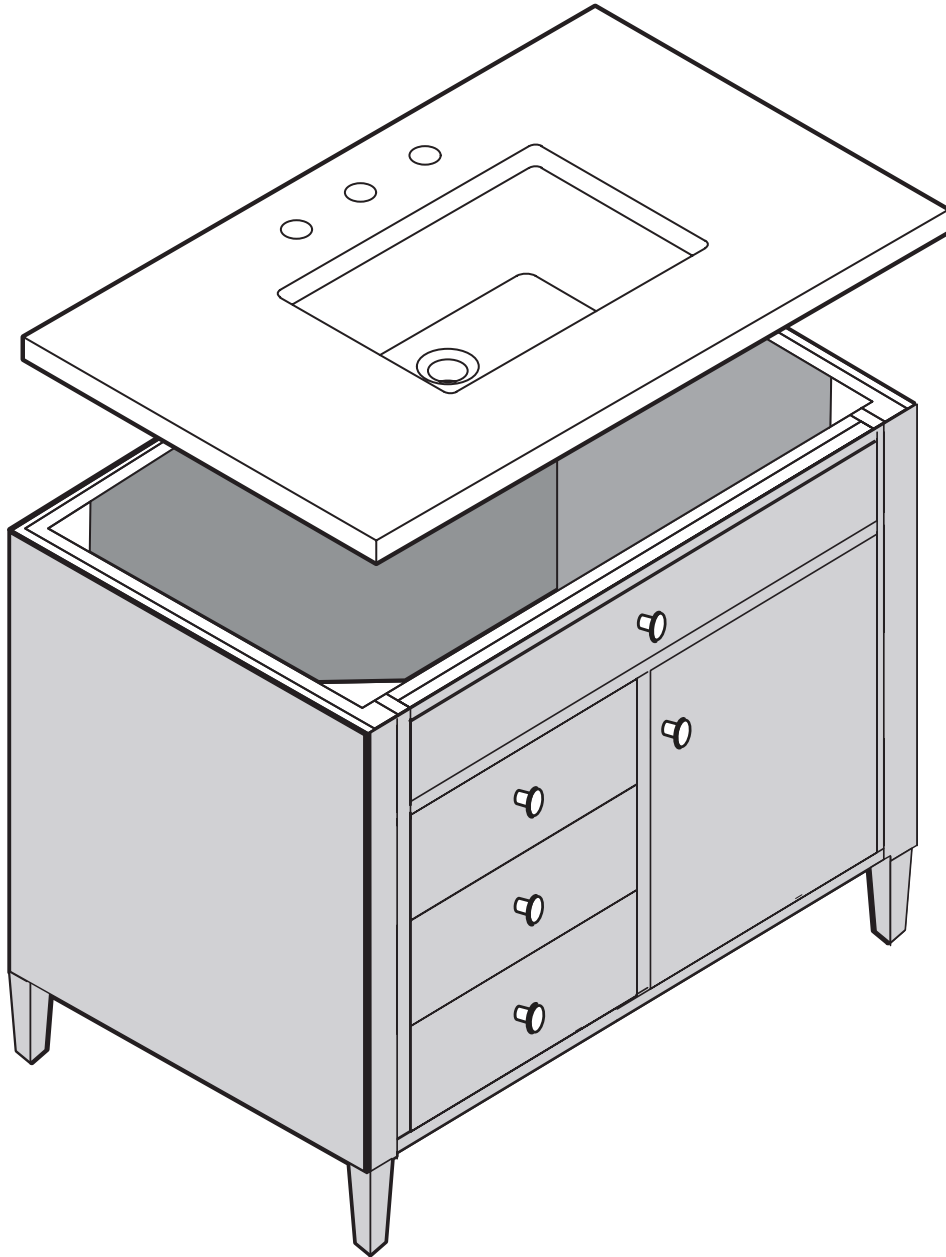
Visit website for warranty and installation information
www.jamesmartinvanities.com

Version: 202301

JAMES MARTIN

VANITIES

Installation Instructions for 3cm Countertops and Undermount Sinks



BEFORE YOU REMOVE THE TOP FROM THE CARTON

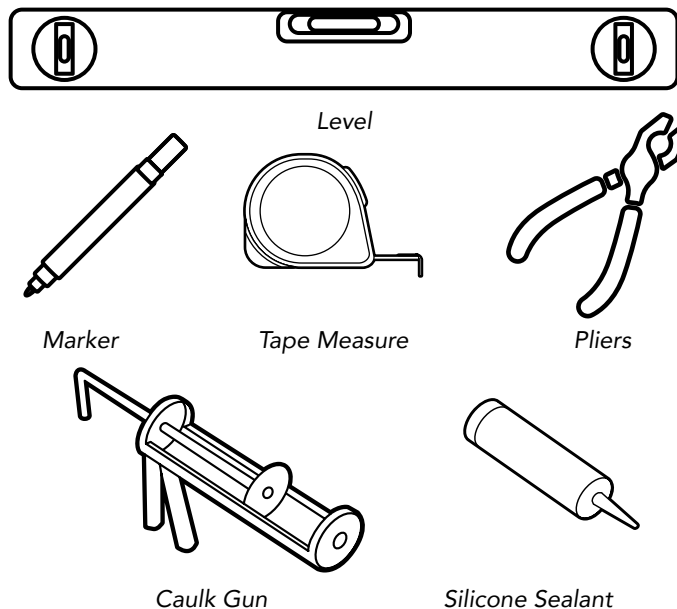
Prior to removing the countertop from the carton inspect the carton for damage and package contents. If any damage is found, contact your place of purchase.

Installation Instructions for 3cm Countertops with Undermount Sink

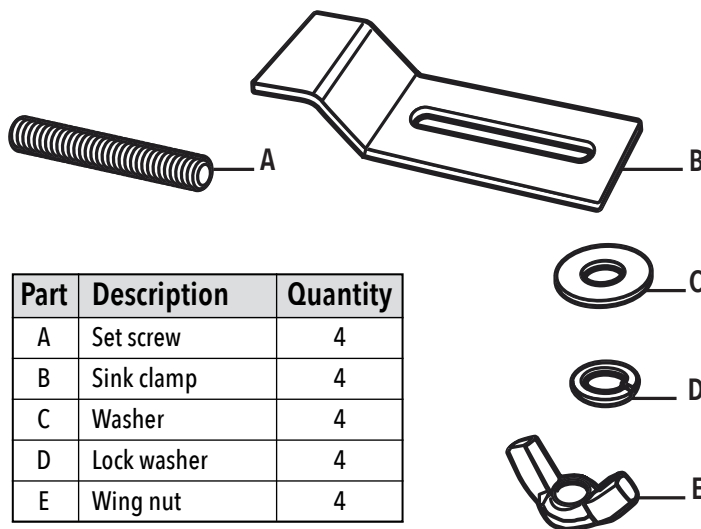
IMPORTANT STEPS BEFORE YOU BEGIN

- Ensure the vanity cabinet is in place and has been properly installed to meet plumbing codes. For your safety and to achieve the best possible results, James Martin Vanities recommends you consult with a professional contractor.
- Shut off the water supply. Water supply and drain access must be in place prior to installing the countertop and sink.
- Ensure the vanity cabinet is level.

TOOLS AND MATERIALS: (Not included)



SINK MOUNTING HARDWARE (Included)

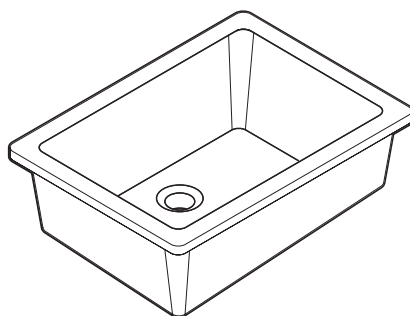


Part	Description	Quantity
A	Set screw	4
B	Sink clamp	4
C	Washer	4
D	Lock washer	4
E	Wing nut	4

SINK CARTON CONTENTS

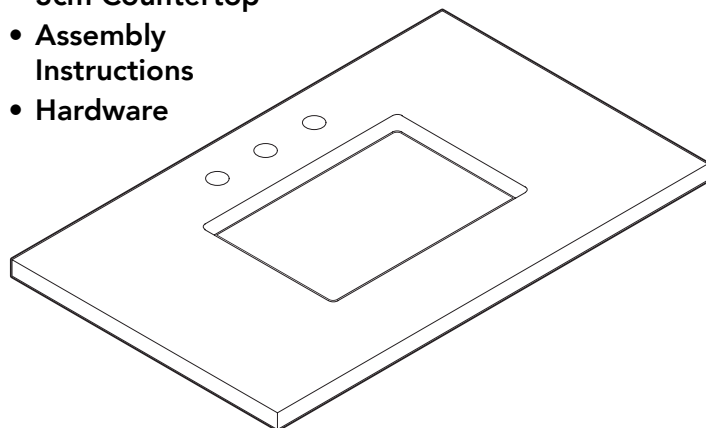
• Sink

The 3cm Countertop and Sink are packaged and shipped separately.



COUNTERTOP CARTON CONTENTS

- 3cm Countertop
- Assembly Instructions
- Hardware



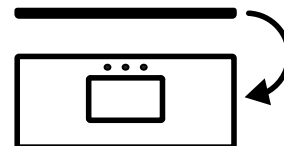
PROPER HANDLING OF 3CM COUNTER TOP

Carefully unpack the countertop and place finished side down on flat, soft and sturdy surface.

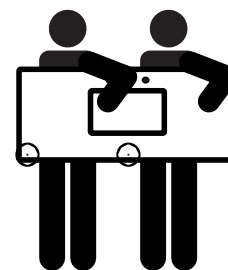
Important: The countertop is very fragile. Take caution when handling, and have someone assist you.



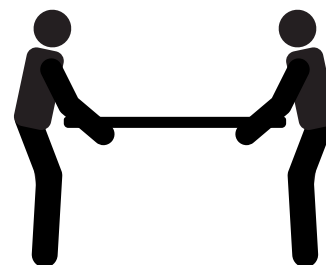
Rotate carton from flat position and lift top vertically.



Lift top vertically with two people.



NEVER LIFT OR CARRY THE VANITY TOP FLAT.



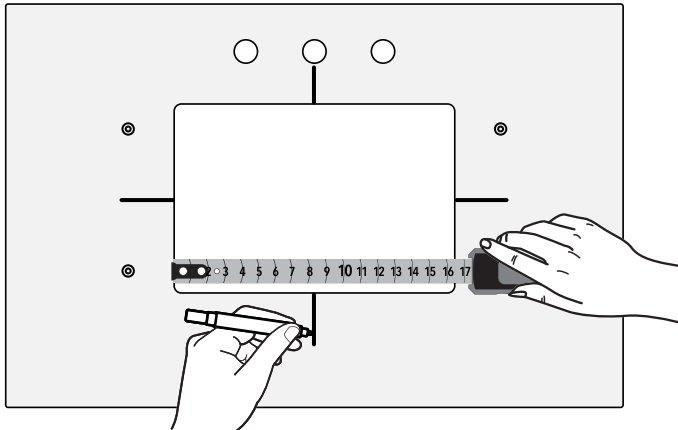
2

Installation Instructions for 3cm Countertops with Undermount Sink

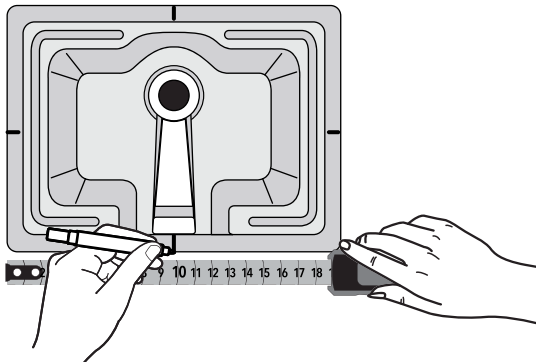
SINK INSTALLATION

IMPORTANT: Make sure all surfaces are clean.
Place top finished side down on a soft surface.

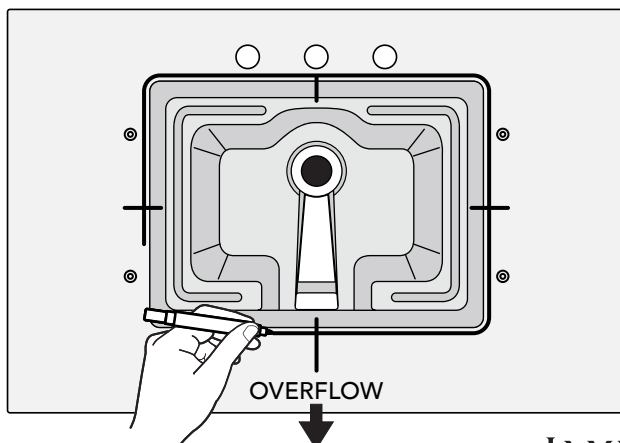
1. Using a tape measure, draw a straight 3" line marking the center points of all sides of the sink cut out.



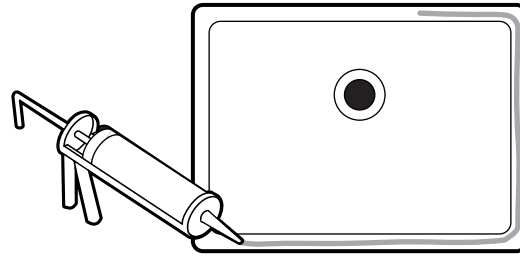
2. Carefully unpack the undermount sink and place on a soft surface, bowl side up. Using a tape measure, identify and mark center point on all sides of the bottom and profile of the lip of the sink.



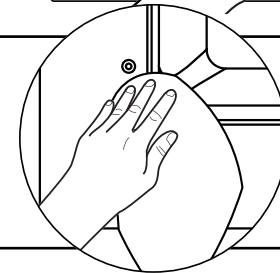
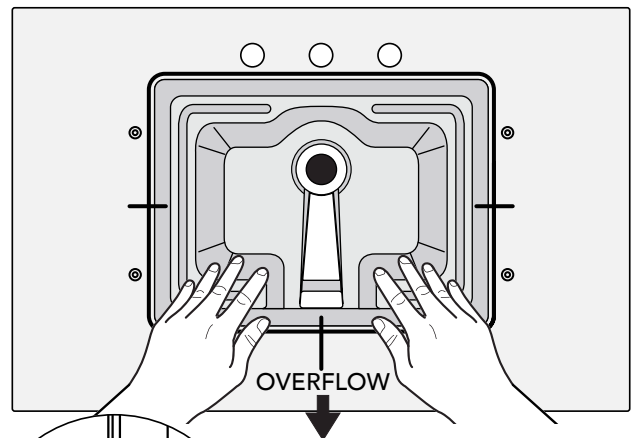
3. Carefully lift the sink and place it centered over the countertop cutout, bowl side up and with the overflow drain at the opposite end from the faucet holes. Align all marked center points along each side of the lip of the sink, with the marked center points along cut out in the countertop. Ensure the sink is centered over the opening and carefully trace around the perimeter of the sink with a marker.



4. Carefully lift the sink from the countertop and place it on a soft surface, bowl side down. Apply a bead of silicone sealant around the top edge of the sink rim.

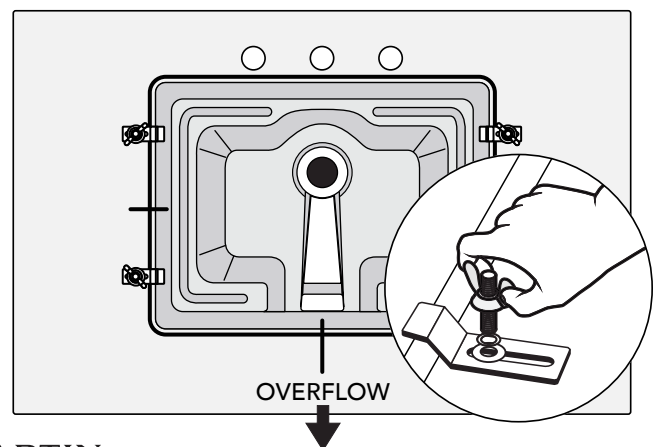


5. Carefully lift and turn the sink over on the countertop, positioning it within your marked outline, ensuring again that the overflow is opposite from the faucet holes. Once positioned, press firmly in place.



6. Wipe away any excess sealant with a damp cloth and allow sealant to dry according to manufacturer's recommendations.

7. Attach sink clips by placing the long end of the bracket flat against the sink lip. Insert the set screw through the bracket, into the threaded holes. Twist to tighten. Thread the washer, lock washer and wing nut over the set screw and tighten. Pliers can be used – do not over tighten. Allow sealant to dry as indicated by manufacturer.



Installation Instructions for 3cm Countertops with Undermount Sink

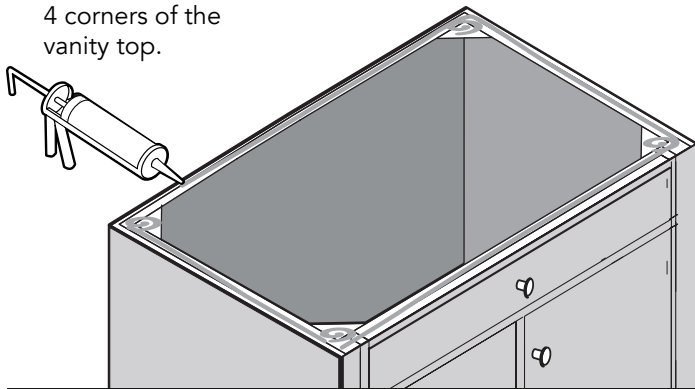
IMPORTANT

- Ensure the vanity cabinet is in place and has been properly installed to meet plumbing codes. For your safety and to achieve the best possible results, James Martin Vanities recommends you consult with a professional contractor.
- Shut off the water supply. Water supply and drain access must be in place prior to installing the countertop and sink.
- Ensure the vanity cabinet is level.

PREPARING THE VANITY CABINET FOR INSTALLATION OF THE COUNTERTOP AND SINK

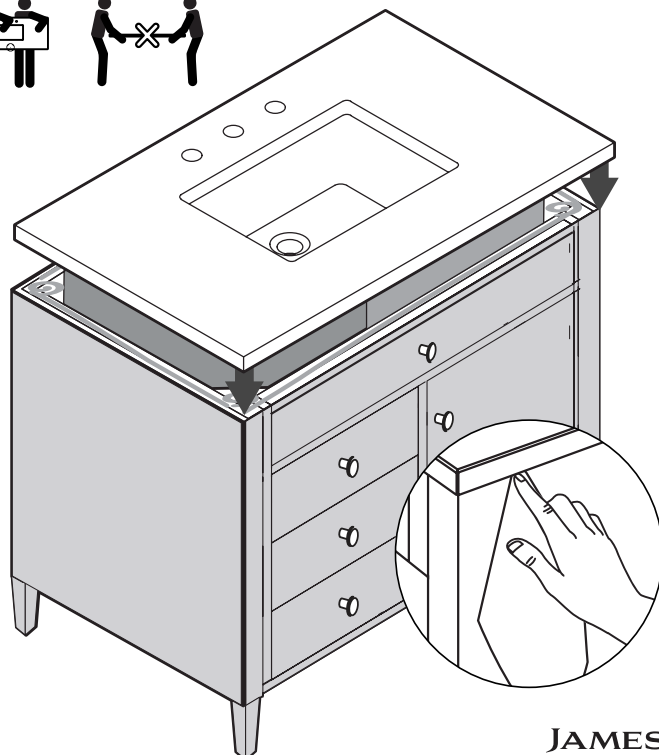
IMPORTANT: Make sure all surfaces are clean.

8. Apply an adhesive around the top edge of the vanity cabinet. Add an extra dot on all 4 corners of the vanity top.

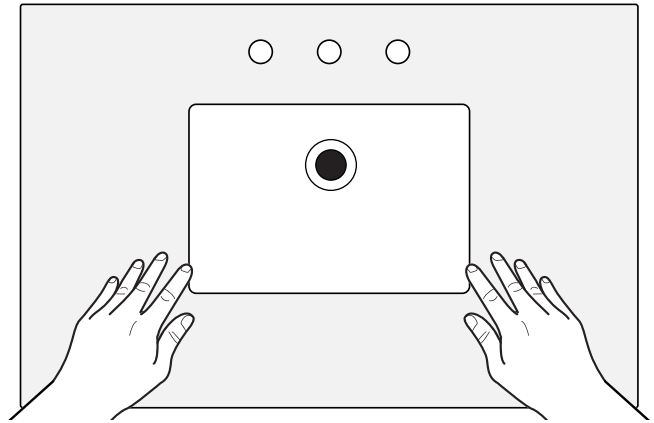


9. With assistance from another person, carefully lift the countertop with sink to a vertical position and ease onto the vanity cabinet, front edge first.

Important: The countertop is very fragile. Take caution when handling, and have someone assist you.

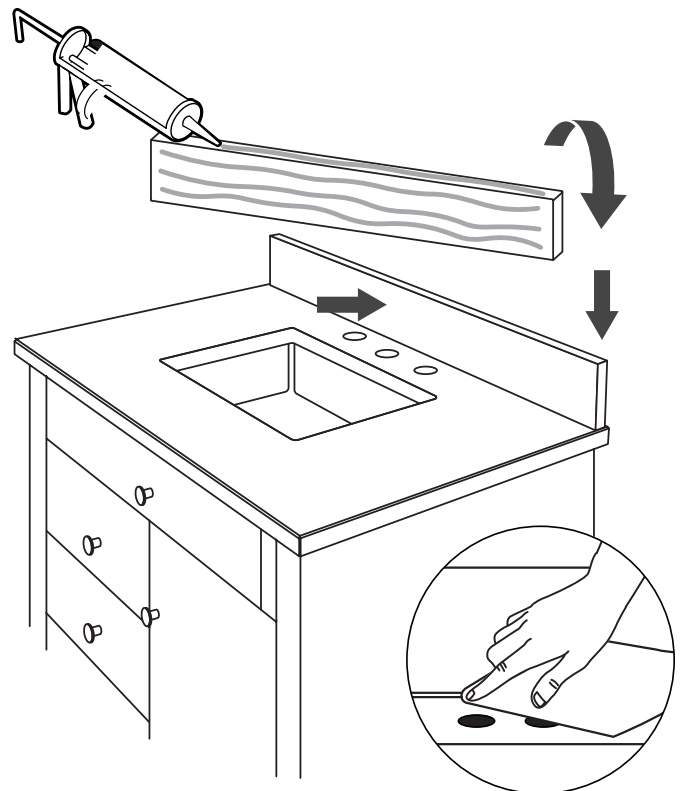


10. Once positioned, press firmly into place. Wipe away any excess sealant using a damp cloth.



INSTALLING AN OPTIONAL BACKSPLASH

11. If you are installing a back-splash (available on specific models), place a generous amount of silicone sealant on the back of it and press it into place against your bathroom wall. Fill any gaps that are left with silicone sealant. Wipe away any excess sealant with a damp cloth.



12. Once assembled allow the silicone sealant to fully dry according to the manufacturer's recommendation. When dry, proceed to the installation of your faucet and drain.

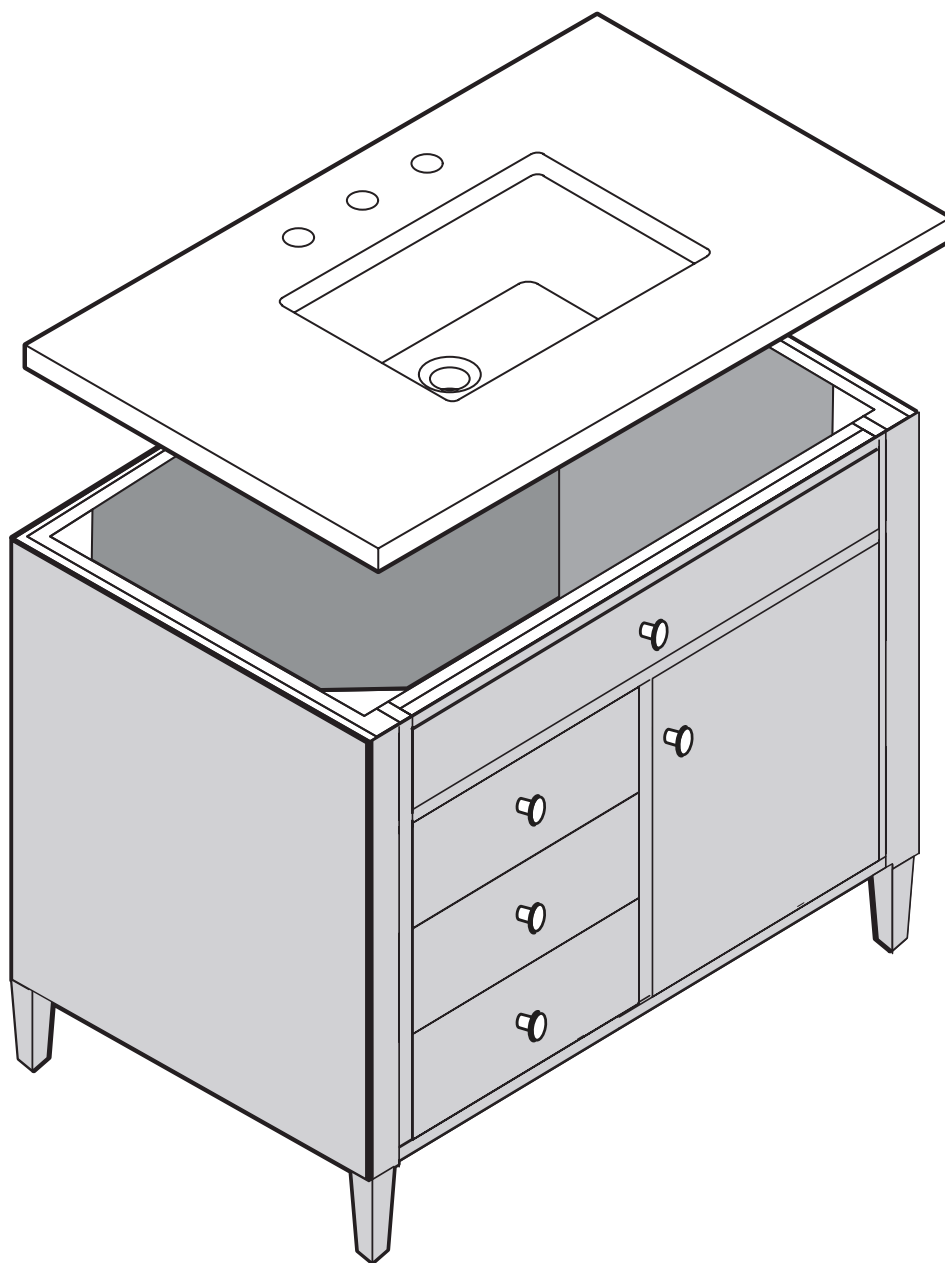
13. For stone tops, such as marble and granite, it is recommended that you apply a high quality sealer to protect from staining and discoloration. Stone sealer should be reapplied once or twice per year, depending upon usage, according to sealer's instructions.

4

JAMES MARTIN

VANITIES

Instructions d'installation pour les comptoirs de 3 cm et éviers encastrés



AVANT DE RETIRER LE DESSUS DU CARTON

Avant de retirer le comptoir du carton, inspectez le carton pour détecter tout dommage et le contenu de l'emballage.
Si des dommages sont constatés, contactez votre point d'achat.

Instructions d'installation pour les comptoirs de 3 cm avec évier encastré

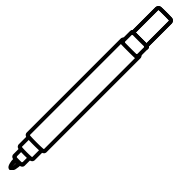
ÉTAPES IMPORTANTES AVANT DE DÉBUTER

- Assurez-vous que le meuble de lavabo soit en place et qu'il a été correctement installé pour respecter les codes de plomberie. Pour votre sécurité et pour obtenir les meilleurs résultats possibles, James Martin Vanities vous recommande de consulter un entrepreneur professionnel.
- Coupez l'alimentation d'eau. L'alimentation en eau et l'accès au drain doivent être en place avant d'installer le comptoir et l'évier.
- Assurez-vous que la vanité soit à niveau.

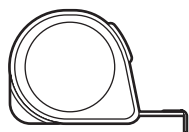
OUTILS ET MATÉRIEAUX (Non inclus)



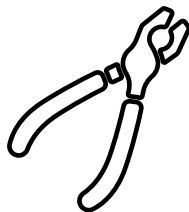
Niveau



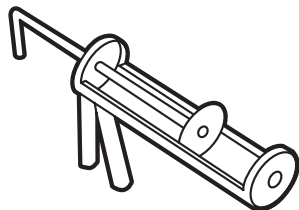
Marqueur



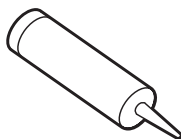
Ruban à mesurer



Pincettes

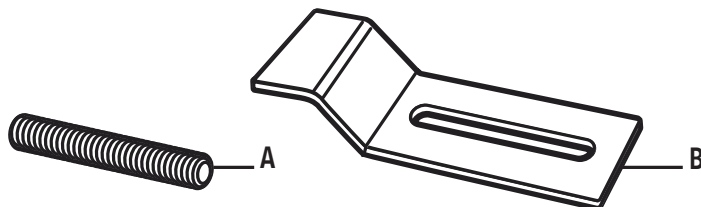


Pistolet à calfeutrer



scellant silicone

MATÉRIEL DE MONTAGE DEL'ÉVIER (inclus)



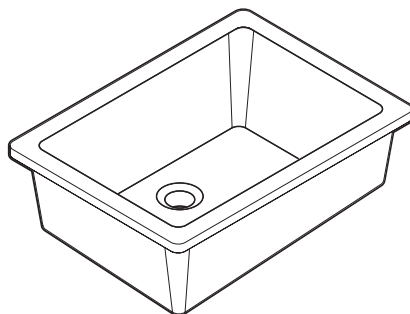
Pièce	Description	Quantité
A	Vis de fixation	4
B	Collier d'évier	4
C	Rondelle	4
D	Rondelle de blocage	4
E	Écrou à oreilles	4



CONTENU DE LA BOITE DE L'ÉVIER

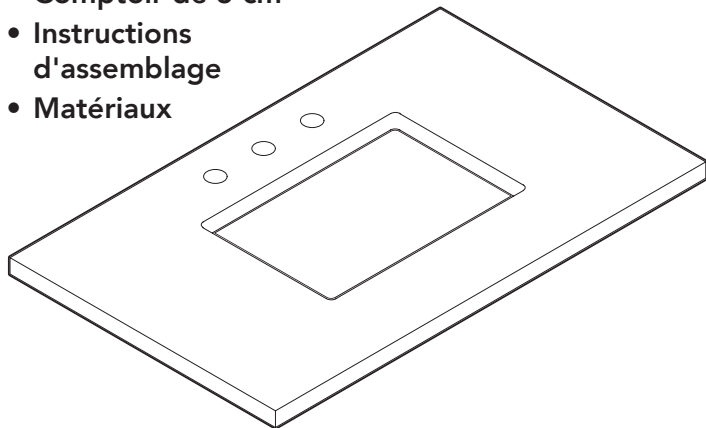
• Évier

Le comptoir et l'évier de 3 cm sont emballés et expédiés séparément.



CONTENU DE LA BOITE DU COMPTOIR

- Comptoir de 3 cm
- Instructions d'assemblage
- Matériaux



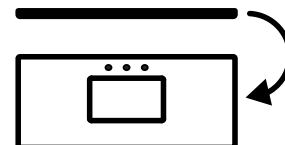
MANIPULATION CORRECTE DU COMPTOIR DE 3 CM

Déballiez soigneusement le comptoir et placez le côté fini vers le bas sur une surface plane, douce et robuste.

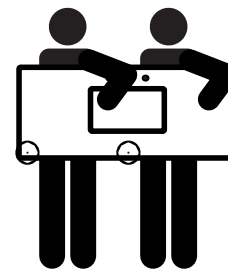
Important: Le comptoir est très fragile. Faites preuve de prudence lors de la manipulation et demandez l'aide de quelqu'un.



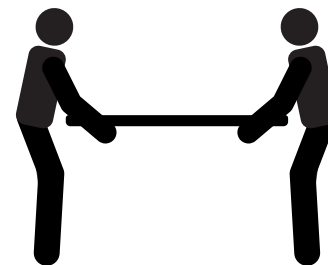
Faites pivoter le carton depuis la position plate et soulevez-le verticalement.



Avec l'aide de deux personnes, soulevez le haut verticalement.



NE JAMAIS SOULEVER OU PORTER LA VANITÉ À PLAT.



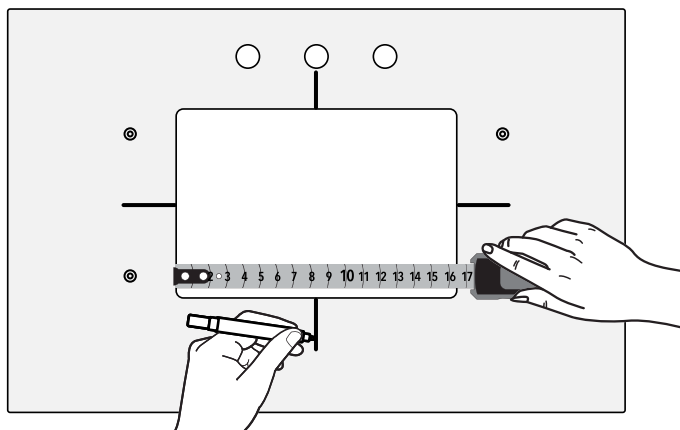
2

Instructions d'installation pour les comptoirs de 3 cm avec évier encastré

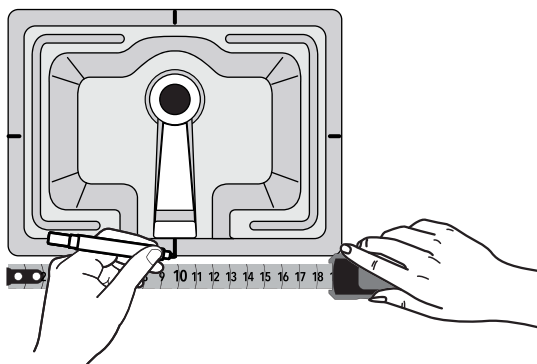
INSTALLATION DE L'ÉVIER

IMPORTANT: Assurez-vous que toutes les surfaces soient propres. Placez le côté supérieur fini vers le bas sur une surface douce.

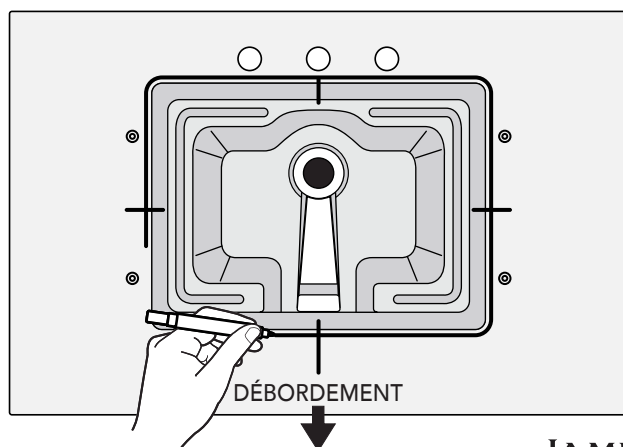
1. À l'aide d'un ruban à mesurer, tracez une ligne droite de 300 mm marquant les points centraux de tous les côtés de la découpe de l'évier.



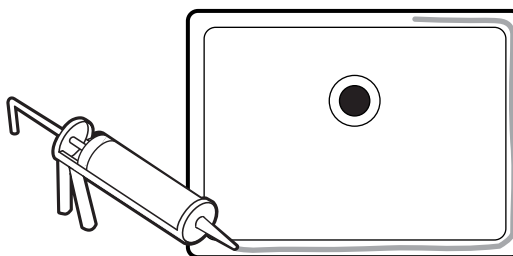
2. Déballez soigneusement l'évier inférieur et placez-le sur une surface douce, le bol vers le haut. À l'aide d'un ruban à mesurer, identifiez et marquez le point central de tous les côtés du fond et du profil du rebord de l'évier.



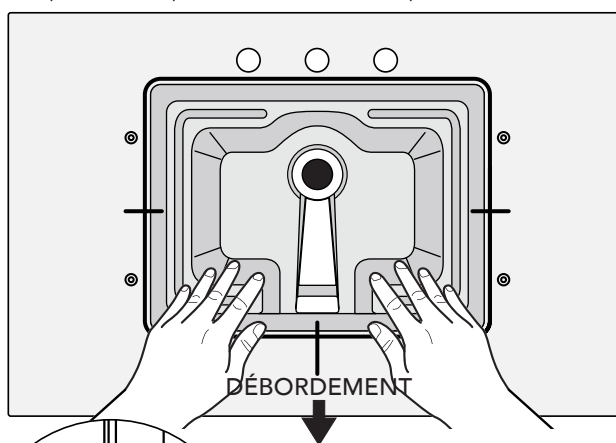
3. Soulevez soigneusement l'évier et placez-le centré sur la découpe du comptoir, le bol vers le haut et avec le trop-plein à l'extrémité opposée des trous du robinet. Alignez tous les points centraux marqués le long de chaque côté du rebord de l'évier, avec les points centraux marqués le long de la découpe dans le comptoir. Assurez-vous que l'évier soit centré sur l'ouverture et tracez soigneusement le périmètre de l'évier à l'aide d'un marqueur.



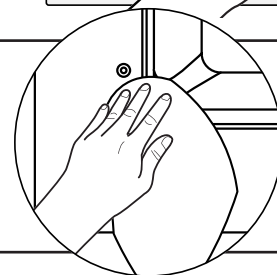
4. Soulevez soigneusement l'évier du comptoir et placez-le sur une surface douce, le bol vers le bas. Appliquez un cordon de mastic en silicone autour du rebord supérieur du bord de l'évier.



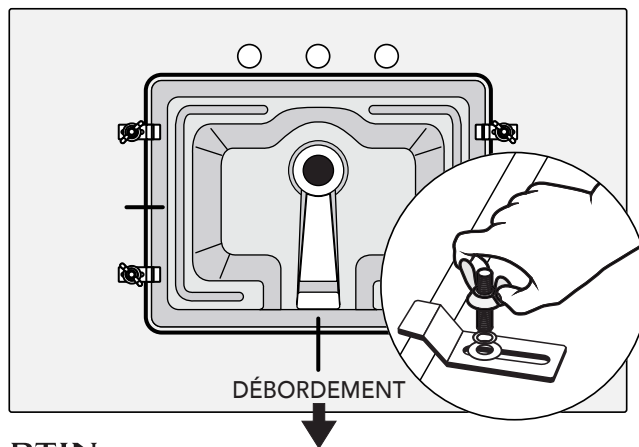
5. Soulevez et retournez soigneusement l'évier sur le comptoir, en le positionnant dans votre contour marqué, en vous assurant à nouveau que le trop-plein soit opposé aux trous du robinet. Une fois positionné, pressez fermement en place.



6. Essuyez tout excès de mastic à l'aide d'un chiffon humide et laissez le mastic sécher conformément aux recommandations du fabricant.



7. Fixez les clips de l'évier en plaçant l'extrémité longue du support à plat contre le rebord de l'évier. Insérez la vis de réglage à travers le support, dans les trous filetés. Faire pivoter pour resserrer. Vissez la rondelle, la rondelle de blocage et l'écrou à oreilles sur la vis de réglage et serrez. Les pinces peuvent être utilisées – ne pas trop serrer. Laissez le mastic sécher tel qu'indiqué par le fabricant.



Instructions d'installation pour les comptoirs de 3 cm avec évier encastré

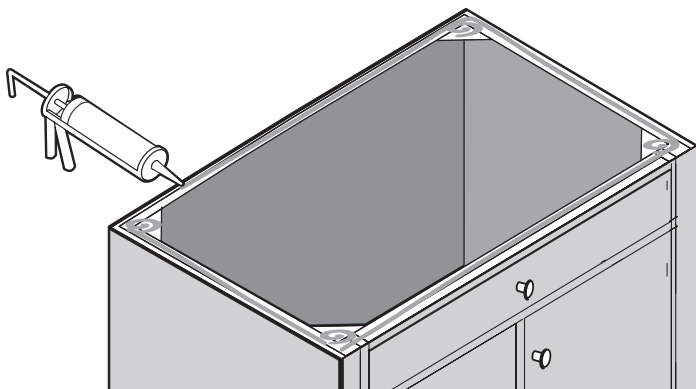
IMPORTANT

- Assurez-vous que le meuble de lavabo soit en place et qu'il a été correctement installé pour respecter les codes de plomberie. Pour votre sécurité et pour obtenir les meilleurs résultats possibles, James Martin Vanities vous recommande de consulter un entrepreneur professionnel.
- Coupez l'alimentation d'eau. L'alimentation en eau et l'accès au drain doivent être en place avant d'installer le comptoir et l'évier.
- Assurez-vous que la vanité soit à niveau.

PRÉPARATION DE LA VANITÉ POUR L'INSTALLATION DU COMPTOIR ET DEL'ÉVIER

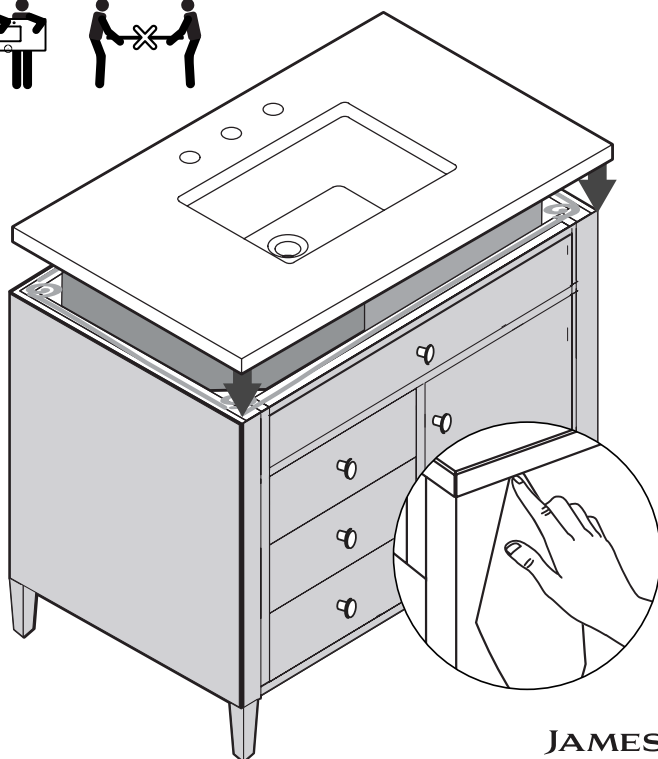
IMPORTANT: Assurez-vous que toutes les surfaces soient propres.

8. Appliquez un adhésif autour du bord supérieur de la vanité. Ajoutez un point supplémentaire au 4 coins du dessus de la vanité.

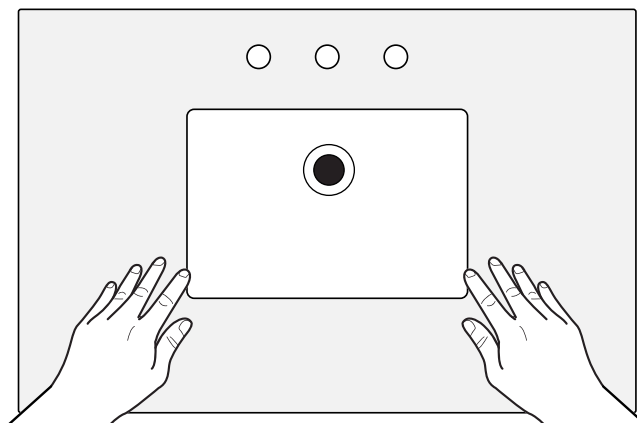


9. Avec l'aide d'une autre personne, soulevez soigneusement le comptoir avec l'évier en position verticale et reposez-le sur la vanité, le bord avant en premier.

Important: Le comptoir est très fragile. Faites preuve de prudence lors de la manipulation et demandez l'aide de quelqu'un.

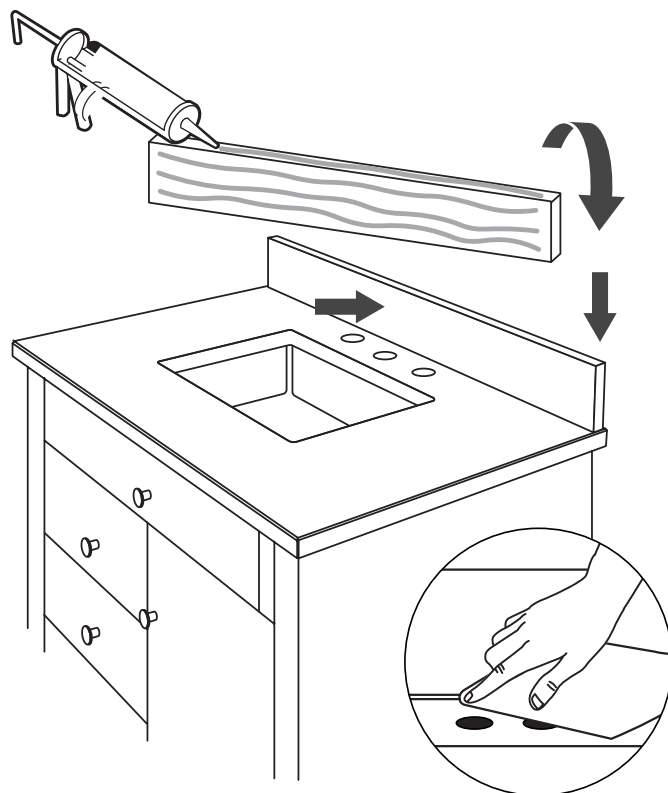


10. Une fois positionné, pressez fermement en place. Essuyez tout excès de mastic à l'aide d'un chiffon humide.



INSTALLATION D'UN DOSSERET EN OPTION

11. Si vous installez un dossier (disponible sur des modèles spécifiques), placez une quantité généreuse de mastic silicone à l'arrière de celui-ci et appuyez-le contre le mur de votre salle de bain. Remplissez tous les espaces laissés avec du mastic en silicone. Essuyez tout excès de mastic à l'aide d'un chiffon humide.



12. Une fois assemblé, laissez le mastic en silicone sécher complètement conformément aux recommandations du fabricant. Une fois sec, procédez à l'installation de votre robinet et vidangez.

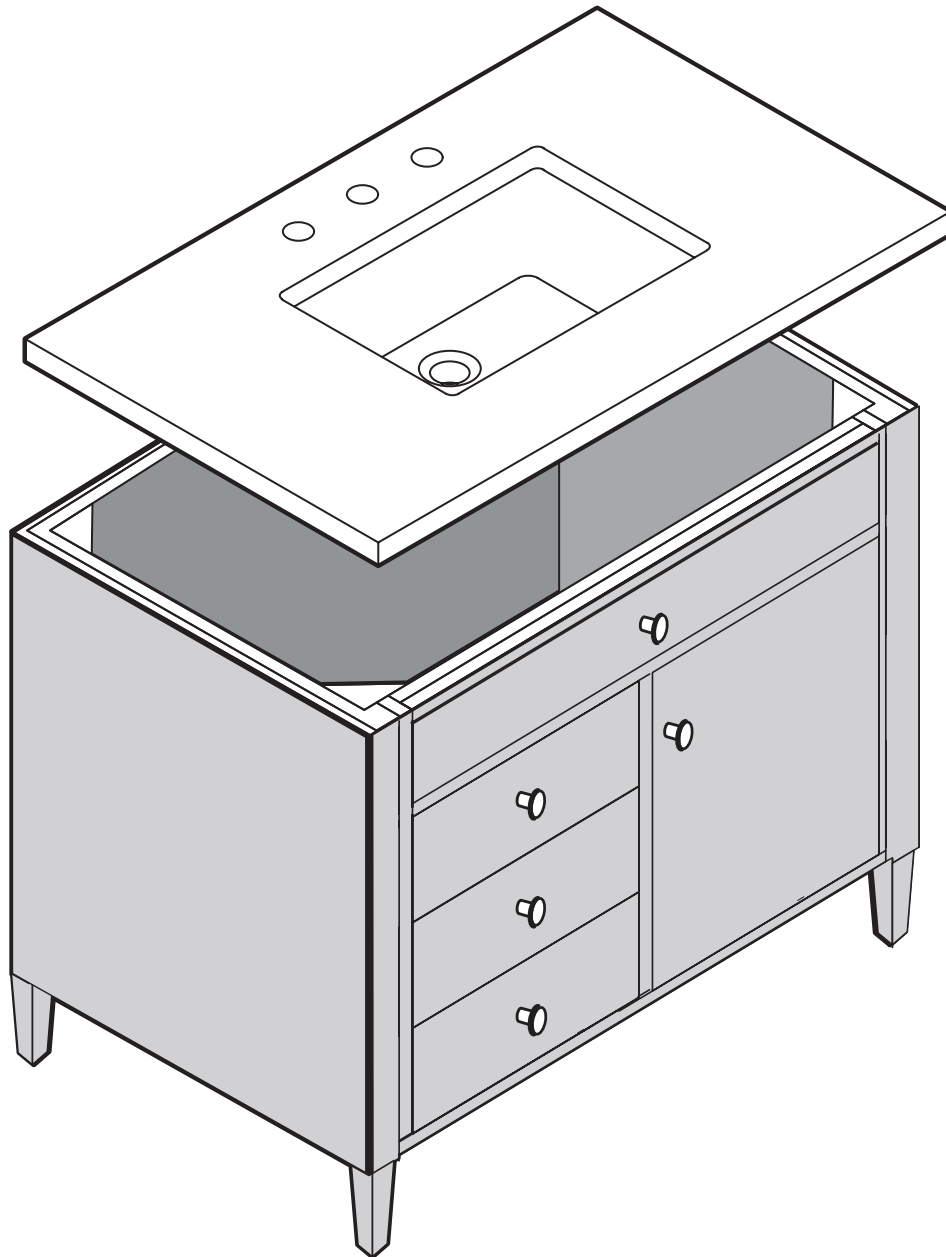
13. Pour les comptoirs en pierre, tels que le marbre et le granit, il est recommandé d'appliquer un scellant de haute qualité pour protéger des taches et de la décoloration. Le scellant à pierre doit être réappliqué une ou deux fois l'an, selon l'utilisation, conformément aux instructions du scellant.

4

JAMES MARTIN

VANITIES

Instrucciones de instalación para encimeras 3cm y lavabo empotrado



ANTES DE SACAR LA ENCIMERA DE LA CAJA

Antes de sacar la encimera de la caja, inspeccione la caja para ver si tiene daños y el contenido del empaque.
Si encuentra algún daño, comuníquese con el lugar de compra.

Instrucciones de instalación para encimeras 3cm y lavabo empotrado

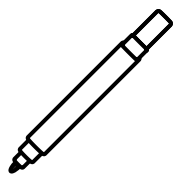
PASOS IMPORTANTES ANTES DE COMENZAR

- Asegúrese de que el armario del lavabo esté instalado correctamente y que cumpla los códigos de tuberías. Por su seguridad y para lograr los mejores resultados posibles, James Martin Vanities recomienda que consulte con un contratista profesional.
- Cierre el suministro de agua. El suministro de agua y el acceso al drenaje deben estar en su lugar antes de instalar la encimera y el lavabo.
- Asegúrese de que el armario del lavabo esté nivelado.

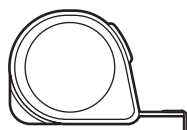
HERRAMIENTAS Y MATERIAL: (No se incluye)



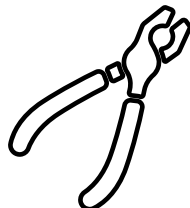
Nivel



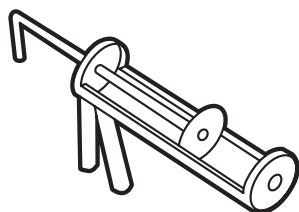
Marcador



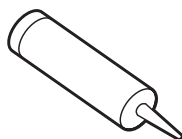
Cinta métrica



Alicate

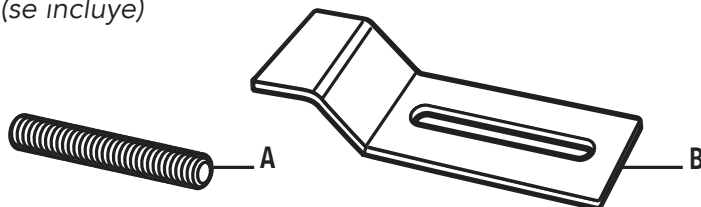


Pistola para calafatear



Sellador de silicona

ACCESORIOS DE INSTALACIÓN DEL LAVABO (se incluye)



Pieza	Descripción	Cantidad
A	Tornillos de ajuste	4
B	Soporte para el lavabo	4
C	Arandelas	4
D	Arandela de seguridad	4
E	Tuercas de mariposa	4



C



D

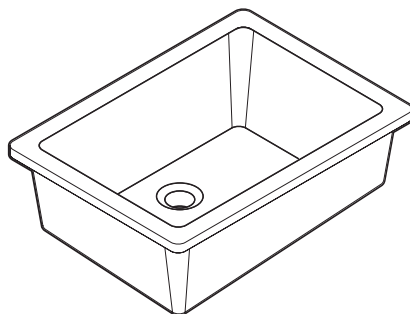


E

CONTENIDO DE LA CAJA DEL LAVABO

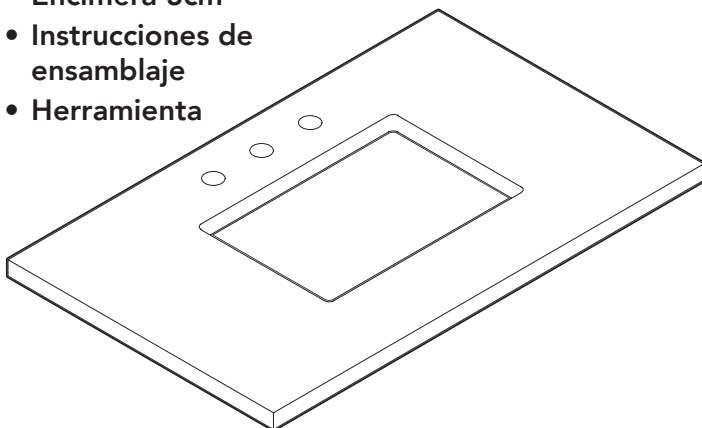
• Lavabo

La encimera y el lavabo 3cm se empaquetan y envían por separado.



CONTENIDO DE LA CAJA DE LA ENCIMERA

- Encimera 3cm
- Instrucciones de ensamblaje
- Herramienta

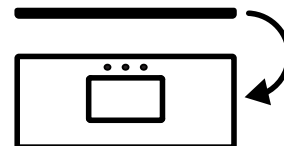


MANEJO ADECUADO DE LA ENCIMERA 3CM

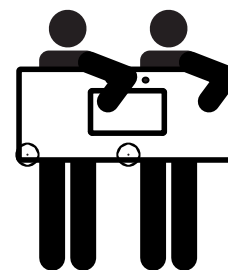
Desempaque cuidadosamente la encimera y ponga el lado con acabado hacia abajo en una superficie plana, suave y robusta. Importante: La encimera es muy frágil. Tenga cuidado cuando la manipule y pida ayuda a otra persona.



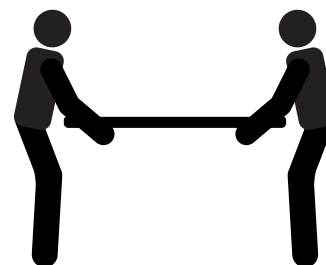
Gire la caja de la posición plana y levante la encimera verticalmente.



Dos personas deben levantar la encimera verticalmente.



NUNCA LEVANTE NI TRANSPORTE LA ENCIMERA DEL LAVABO EN POSICIÓN PLANA.



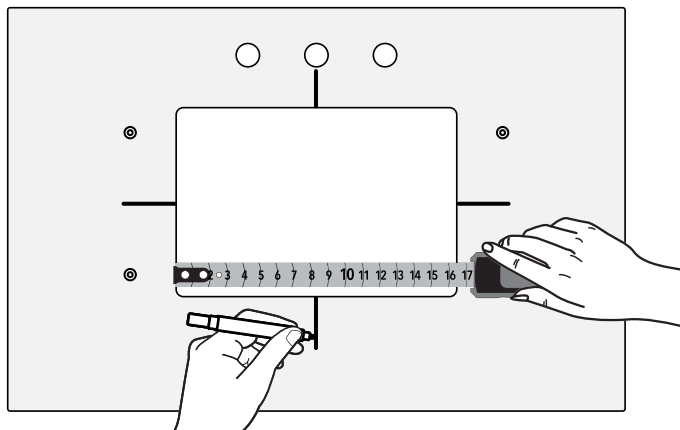
2

Instrucciones de instalación para encimeras 3cm y lavabo empotrado

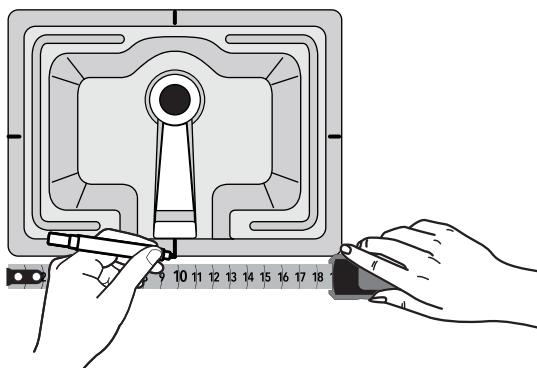
INSTALACIÓN DEL LAVABO

IMPORTANTE: Asegúrese de que todas las superficies estén limpias. Ponga el lado con acabado de la encimera sobre una superficie suave.

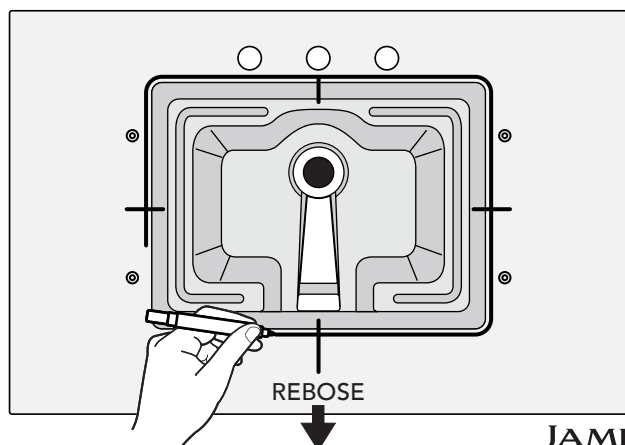
1. Con la cinta métrica dibuje una línea recta de 76.2 mm marcando los puntos centrales de todos los lados del corte del lavabo.



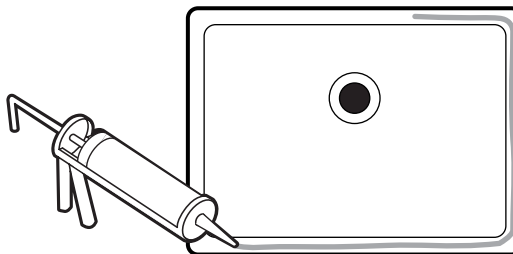
2. Desempaque cuidadosamente el lavabo que va debajo de la encimera y póngalo sobre una superficie suave, con el lado del cuenco hacia arriba. Con la cinta métrica, identifique y marque el punto central en todos los lados de la parte de abajo y el perfil del reborde del lavabo.



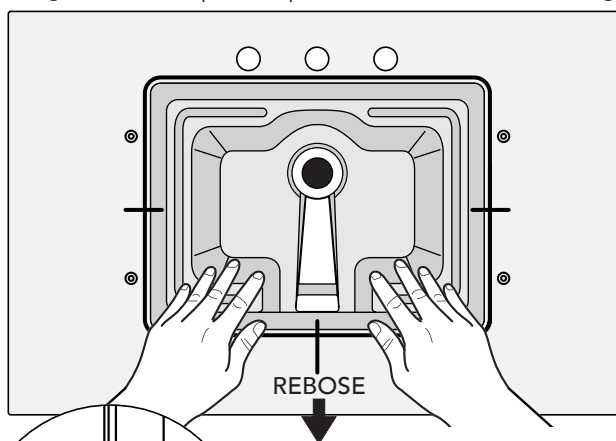
3. Levante cuidadosamente el lavabo y póngalo centrado sobre el corte de la encimera, con la parte de abajo del cuenco hacia arriba y con el desagüe de rebose en el extremo opuesto de los orificios del grifo. Alinee todos los puntos centrales marcados en cada lado del reborde del lavabo, con los puntos del centro marcados en el corte de la encimera. Asegúrese de que el lavabo esté centrado sobre la abertura y trace cuidadosamente una línea alrededor del perímetro del lavabo con un marcador.



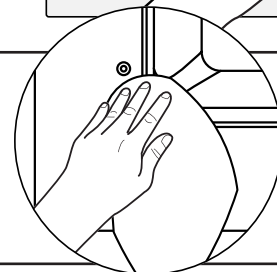
4. Levante cuidadosamente el lavabo de la encimera y póngalo en una superficie suave, con el cuenco hacia abajo. Aplique una capa de sellador de silicona alrededor de la parte de arriba del borde del lavabo.



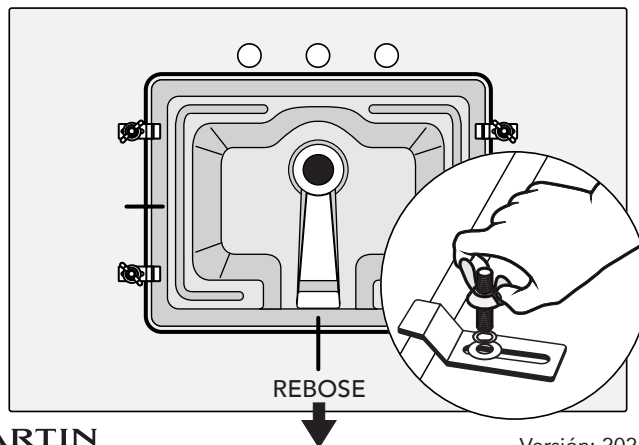
5. Levante y gire cuidadosamente el lavabo sobre la encimera, poniéndolo dentro de la línea marcada y asegurándose de nuevo que el rebosadero esté en el lado opuesto de los orificios del grifo. Una vez puesto, presione firmemente en su lugar.



6. Limpie el exceso de sellador con un paño húmedo y deje secar el sellador según las recomendaciones del fabricante.



7. Sujete los ganchos del lavabo poniendo el extremo largo del soporte plano contra el reborde del lavabo. Inserte el tornillo de ajuste a través del soporte en los orificios roscados. Gire para apretar. Enrosque la arandela, la arandela de seguridad y la tuerca de mariposa sobre el tornillo de ajuste y apriete. Puede usar un alicata - no apriete en exceso. Permita que el sellador seque según las instrucciones del fabricante.



Instrucciones de instalación para encimeras 3cm y lavabo empotrado

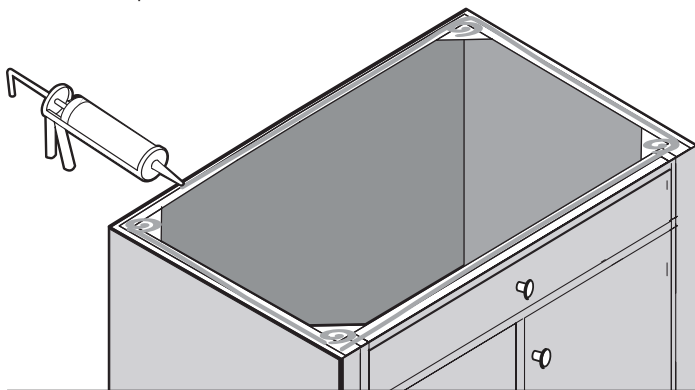
IMPORTANTE

- Asegúrese de que el armario del lavabo esté instalado correctamente y que cumpla los códigos de fontanería. Por su seguridad y para lograr los mejores resultados posibles, James Martin Vanities recomienda que consulte con un contratista profesional.
- Cierre el suministro de agua. El suministro de agua y el acceso al drenaje deben estar en su lugar antes de instalar la encimera y el lavabo.
- Asegúrese de que el armario del lavabo esté nivelado.

CÓMO PREPARAR EL ARMARIO DEL LAVABO PARA INSTALAR LA ENCIMERA Y EL LAVABO

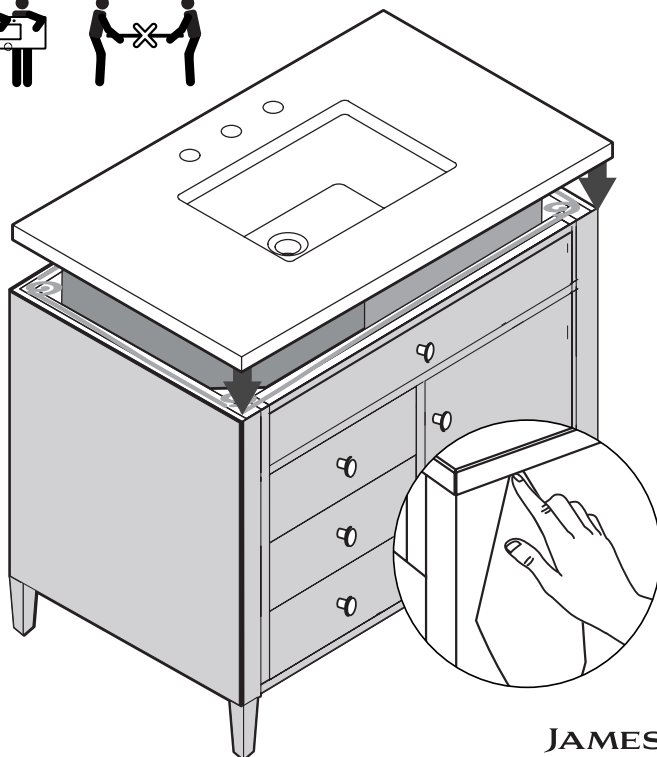
IMPORTANTE: Asegúrese de que todas las superficies estén limpias.

8. Aplique una capa de adhesivo alrededor del borde de arriba del armario del lavabo. Agregue un punto extra en las 4 esquinas de la encimera del lavabo.

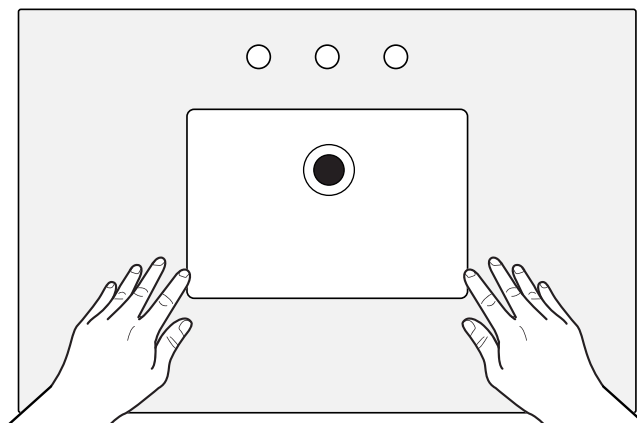


9. Con ayuda de otra persona, levante cuidadosamente la encimera con el lavabo en posición vertical y póngala sobre el armario del lavabo, el extremo del frente primero.

Importante: La encimera es muy frágil. Tenga cuidado cuando la manipule y pida ayuda a otra persona.

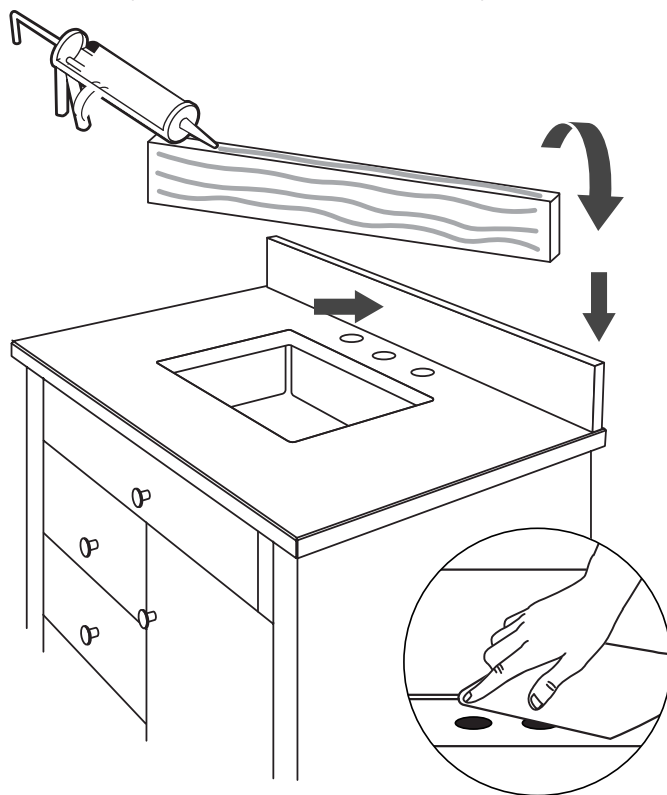


10. Una vez puesto, presione firmemente en su lugar. Limpie el exceso de sellador con un paño húmedo.



CÓMO INSTALAR UN SALPICADERO OPCIONAL

11. Si va a instalar un salpicadero (disponible para modelos específicos), ponga una cantidad generosa de sellador de silicón en la parte de atrás del salpicadero y presiónelo contra la pared del baño. Llene cualquier espacio con sellador de silicón. Limpie el exceso de sellador con un paño húmedo.



12. Una vez armado, permita que el sellador de silicón seque por completo según las recomendaciones del fabricante. Cuando esté seco, proceda con la instalación de su grifo y desagüe.

13. Para las encimeras de piedra, como mármol y granito, se recomienda que aplique sellador de calidad superior para protegerlas contra manchas y decoloración. Debe volver a aplicar el sellador para piedra una o dos veces al año, dependiendo del uso y según las instrucciones del fabricante.

4