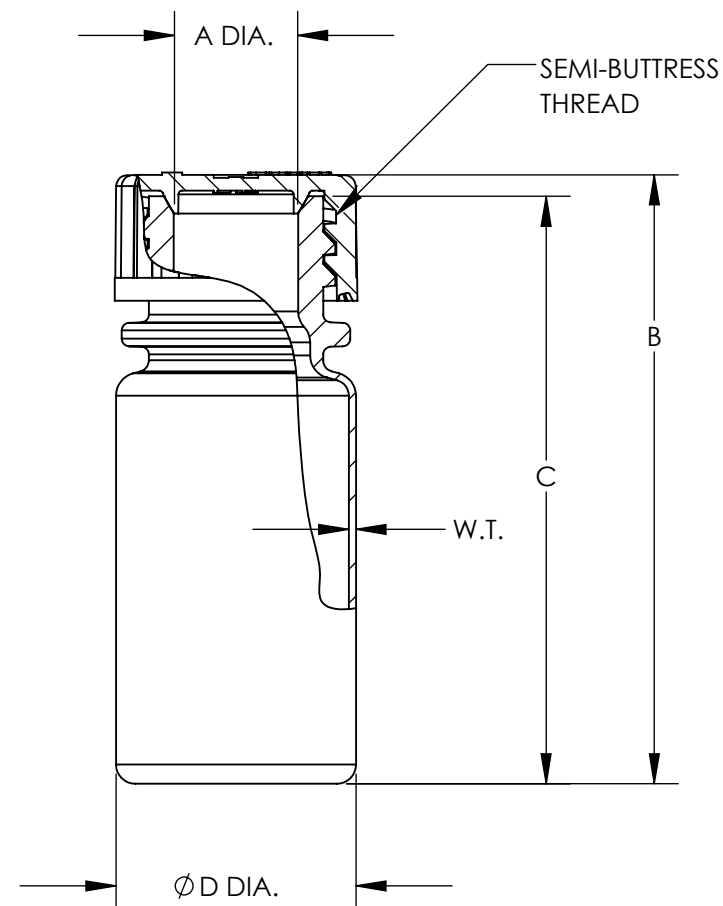


CATOLOG NUMBER	NOMINAL CAPACITY, (OZ)	MATERIALS	
		BOTTLE	CLOSURE
312004	1/8	AMBER HDPE	AMBER PP

SIZE CODE	-9125	
SIZE (NOM VOL mL/oz)	4 1/8	
NOM. BRIM CAP. (mL)	4.2	
NECK FINISH (mm)	13-415	
THREAD (T.P.I.)	12	
NOM. WEIGHT W/CLOSURE (GMS)	2.6	
	INCH	MM
A (BOTTLE NECK I.D.)	0.32 ± .02	8.1 ± 0.5
B (HT W/CLOSURE)	1.58 ± .04	40.1 ± 1.0
C (HT W/O CLOSURE)	1.52 ± .04	38.6 ± 1.0
D (DIAMETER)	0.62 ± .04	15.8 ± 1.0
W.T. (NOM. WALL THK)	0.050	1.27



**DISCLAIMER**

THIS INFORMATION IS PROVIDED AS A GENERAL GUIDE, INCLUDING DIMENSIONS. IT IS THE CUSTOMER'S RESPONSIBILITIES TO SELECT THE PROPER CONTAINER FOR PRODUCT AND APPLICATION COMPATIBILITY.

DISTRIBUTED BY:



REF NO.:

DWG 31259

DESCRIPTION:

4 mL Amber HDPE Boston Round, 13-415