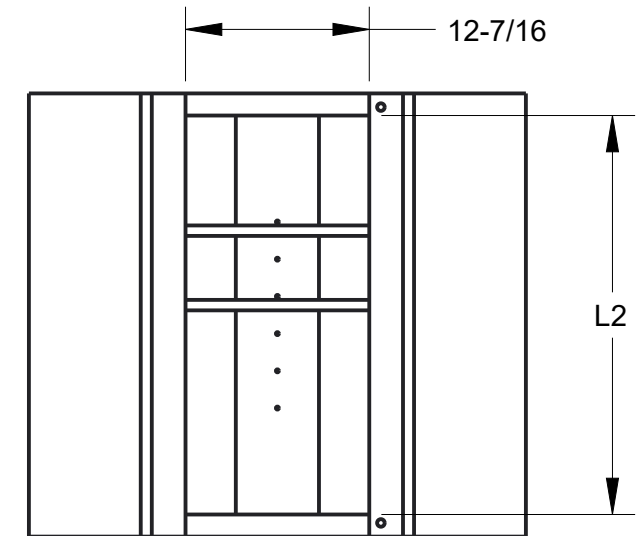
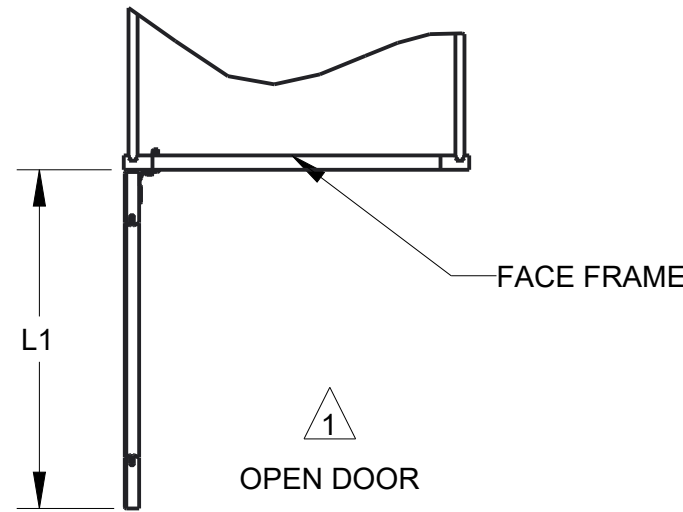
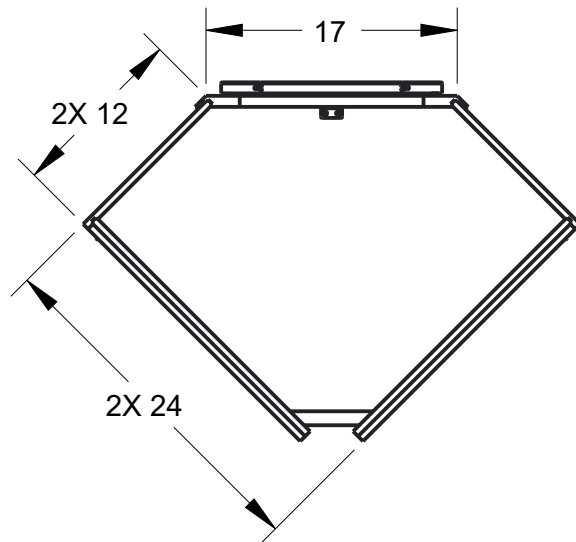
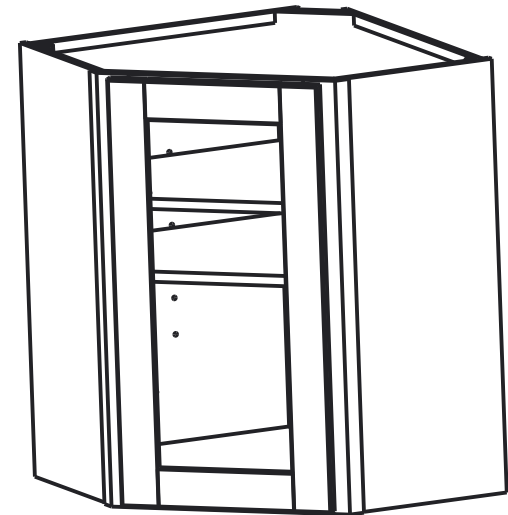
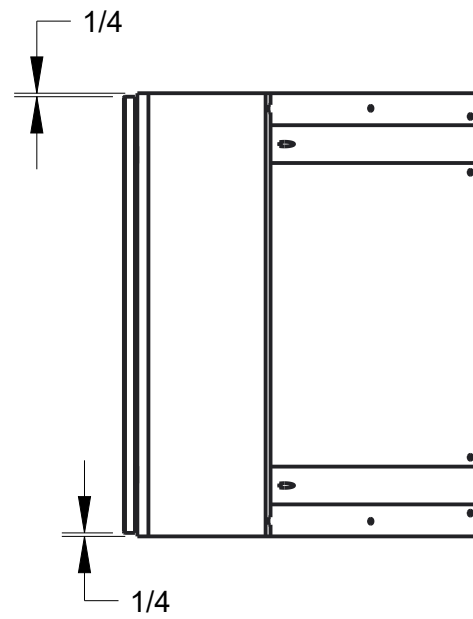
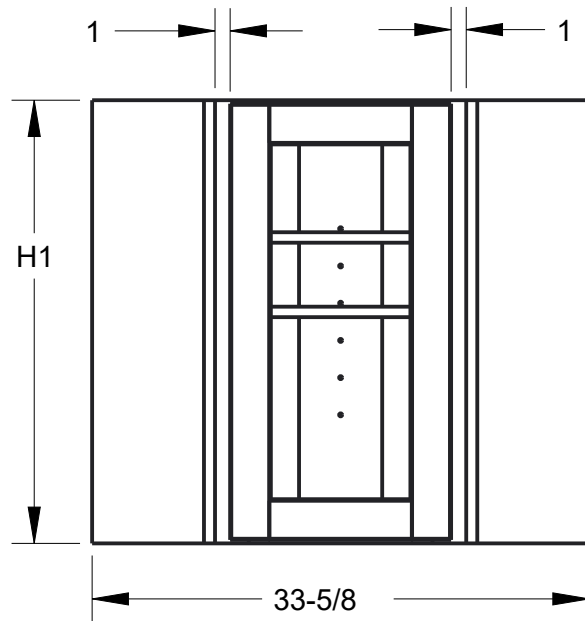


NOTE:

1 OPEN DOOR VIEW INCLUDES HINGE SPACE OFFSET.

PRODUCT	H1	L1	L2	DOOR SIZE
				ROUNDED TO THE NEAREST 1/32
WDC2430MI	30"	15 1/8"	27"	14 31/32" X 29 17/32"
WDC2436MI	36"	15 1/8"	33"	14 31/32" X 35 1/2"
WDC2442MI	42"	15 1/8"	39"	14 31/32" X 41 17/32"



CABINET DOOR OPENING

PRODUCT SHOWN WDC2430MI

DOCUMENT STATUS Released

THIRD ANGLE PROJECTION



MATERIAL

FINISH

N/A

N/A

DRAWN BY
ANDY BROWN

DATE
25MAR2021

DESIGNED BY
NORTHPOINT

DATE

APPROVED BY
DENNIS MCGREGOR

DATE
26MAR2021

**hardware
resources**

DESCRIPTION

WDC2430MI, WDC2436MI, WDC2442MI FULL OVERLAY

DRAWING NUMBER
WDC2430MI-2436-2442_FULL

REV
A

SIZE
A3

SCALE
0.077

SHEET
1 / 1

HARDWARE RESOURCES RESERVES THE RIGHT TO CHANGE SPECIFICATIONS WITHOUT NOTICE.
IN CASE OF A DISCREPANCY, ACTUAL PART GEOMETRY SUPERSEDES THIS DOCUMENT.

THE INFORMATION CONTAINED WITHIN THIS DRAWING IS THE SOLE PROPERTY OF HARDWARE RESOURCES INC. ANY REPRODUCTION IN PART OR WHOLE WITHOUT WRITTEN PERMISSION OF HARDWARE RESOURCES INC. IS PROHIBITED.