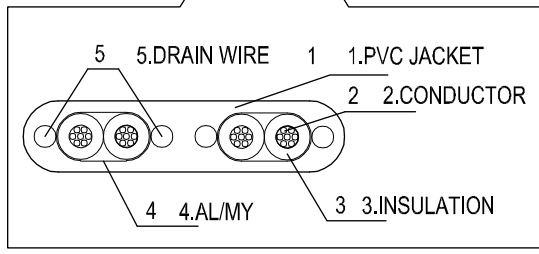
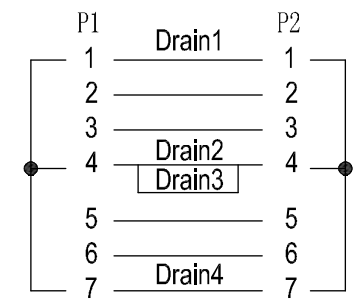


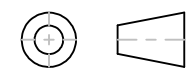
BOTTOM VIEW

PIN ASSIGNMENT



- SPEC:**
1. SATA FLAT CABLE UL21149 (2C 26AWG +AL+DRAIN*2) *2
JACKET PVC RED IN COLOR
 2. CONNECTOR:ATA 150 7PIN MALE WITH SHELL, GOLD PLATED
 - 3.CONNECTOR:ESATA 7P FEMALE
 4. METAL BRACKET
 5. MOLDING PVC BLACK IN COLOR
 6. SCREW 4-40UNC

THIRD ANGLE PROJECTION



GENERAL NOTES

DIMENSIONS ARE IN MM - DO NOT SCALE
THIS DOCUMENT CONTAINS CONFIDENTIAL, PROPRIETARY INFORMATION THAT IS PROPERTY OF STARTECH.COM



PRODUCT ID	ESATAPLT1LP		
DESCRIPTION	1ft Low Profile SATA to eSATA Plate Adapter		
DO NOT SCALE	SHEET: 1 OF: 1	UPLOAD DATE: 11/15/2022	