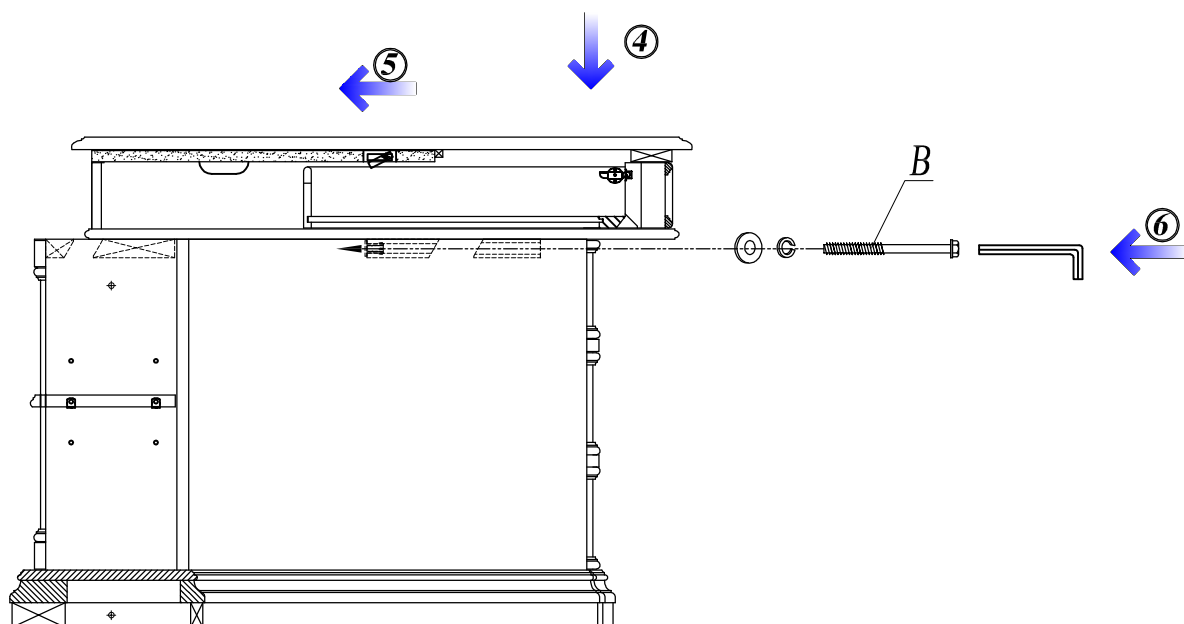
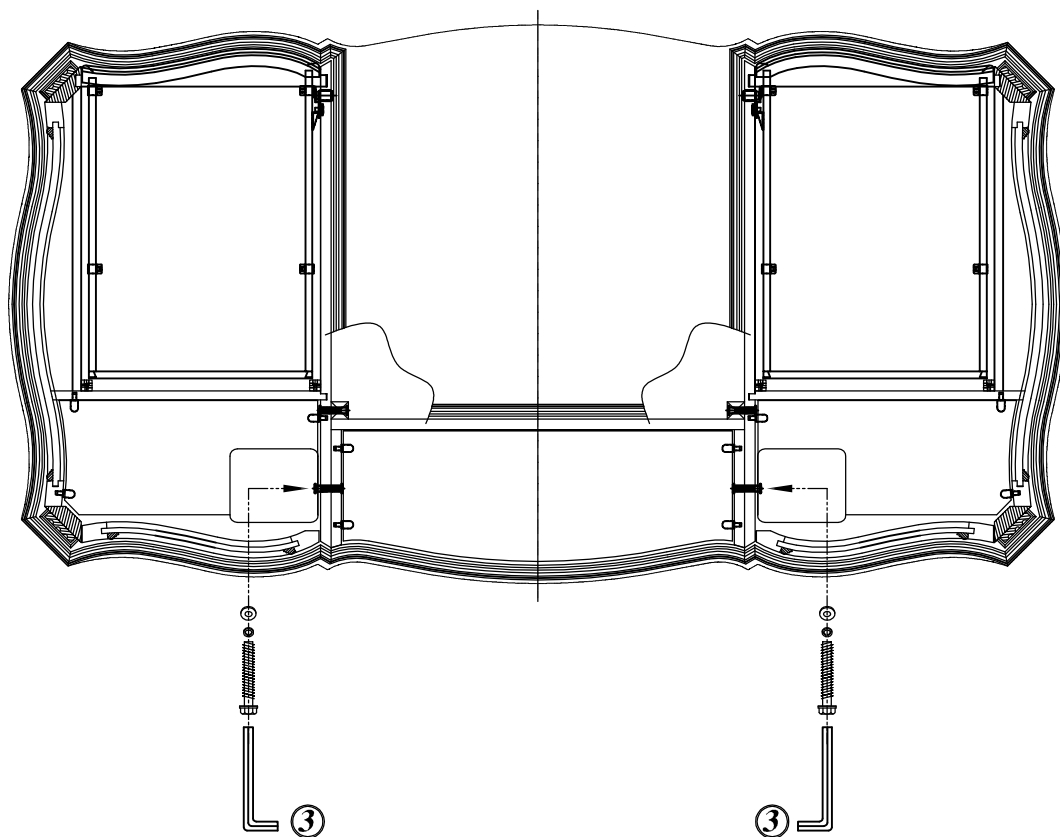
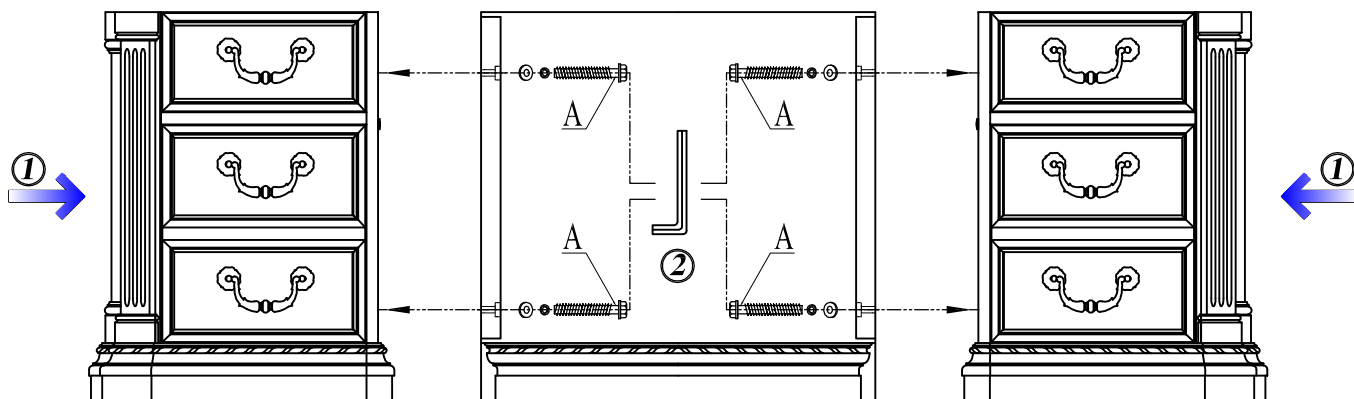


X A HOWARD MILLER COMPANY

7-9160 SERPENTINE DESK

NO.	Hardware List	Q'ty
A	Bolt 5/16" * 1-25/32"L	8
B	Bolt 5/16" * 5-7/8"L	2
C	Lock Washer 5/16" Dia	10
D	Flat Washer 5/16" Dia	10
E	Wrench 3/16" Dia * 4-3/4"L	1



1. Assemble the left & right pedestals and modesty panel with Bolt(A), Lock washer(C) and Flat washer(D) by using Wrench(E).
2. Open the door on back side, screw the center section and left & right pedestals with Bolt(A), Lock washer(C) and Flat washer(D) by using Wrench(E).
3. Place the top assembly on the pedestals. As shown in the side view the top assembly is set a little forward on the pedestals then pushed back to lock the french cleats.
4. Open the upper drawers in the pedestals.
5. Screw the top assembly and pedestals with Bolt(B), Lock washer(C) and Flat washer(D) by using Wrench(E).
6. Close the upper drawers.