

# SCULPT

903680FMB-LDD

SCULPT 80" LED SMART FAN

DETAILS	
FAN FINISH:	Matte Black
GLASS:	Etched Opal
BLADE COUNT:	3
SLOPE DEGREE:	20

DIMENSIONS	
WIDTH:	80"
HEIGHT:	15"

LIGHT SOURCE	
LED NAME:	E2G16W7PP
VOLTAGE:	120v
LUMENS:	1320
CRI:	90

MOUNTING	
CANOPY:	6" Dia.
LEAD WIRE:	1 x 76"

SHIPPING	
CARTON LENGTH:	46
CARTON WIDTH:	16
CARTON HEIGHT:	10



Sculpt seamlessly adds contemporary character to any setting with solid wood blades and clean etched opal glass complemented by a variety of elegant, modern finishes. Its damp-rated design is perfect for both interior and covered outdoor spaces. Equipped with a 6-speed DC motor that is WiFi enabled and ready to connect right out of the box. Operated by the HIRO control or WiFi compatible with the Hinkley App.

## PRODUCT DETAILS:

- Can be hung on a sloped ceiling
- This item includes a 6" down rod (other lengths of down rods are available)
- Control your fan's power, light, speed, direction, and so much more from the Hinkley Home Automation app
- Light kit cover included
- Fan Control included, HIRO Control - 6 Speed Reversing. All-in-one HIRO remote controls power, speed, direction, and lighting; use as a wall control or portable remote
- WiFi Enabled Smart Fan is compatible with your home's WiFi network
- LED components carry a 5-year limited warranty
- Motor carries a lifetime warranty

# HINKLEY

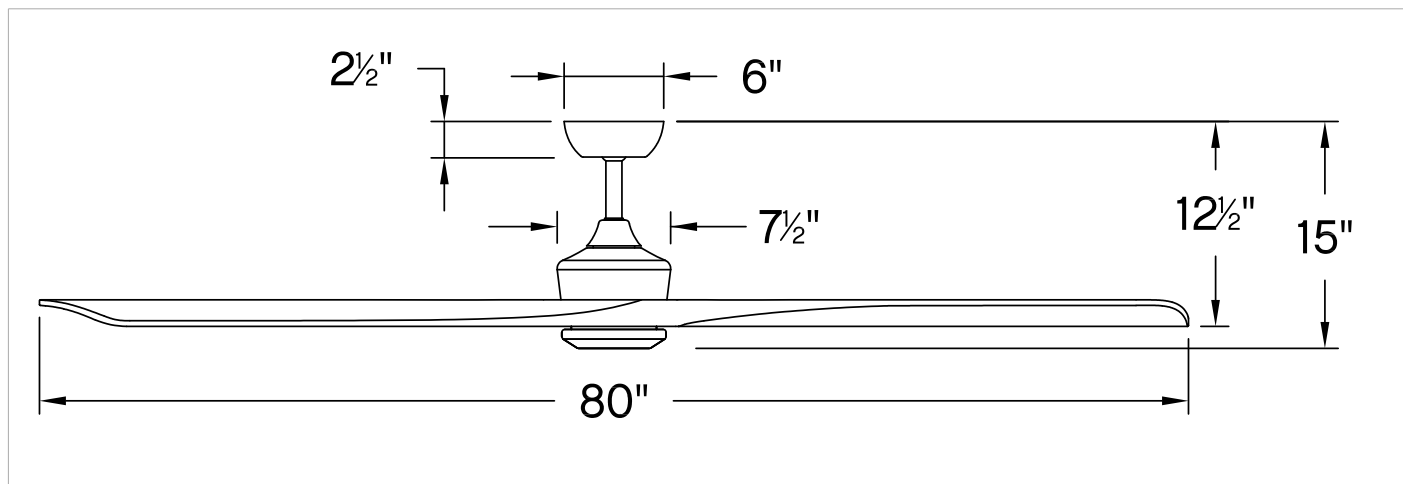
HINKLEY  
33000 Pin Oak Parkway  
Avon Lake, OH 44012

PHONE: (440) 653-5500  
Toll Free: 1 (800) 446-5539

[hinkley.com](http://hinkley.com)

# SCULPT 80" LED SMART FAN

903680FMB-LDD



PERFORMANCE SPECIFICATIONS	STANDARD	
	HIGH SPEED	AVERAGE SPEED
Airflow	11023	8548
EnergyUse	33.1	19
EnergyCost	9	5
Efficiency	333	439
AMPS	0.47	0.28
RPMS	115	83