




Location:



SLC-3512 Centerset Faucet Specification Submittal



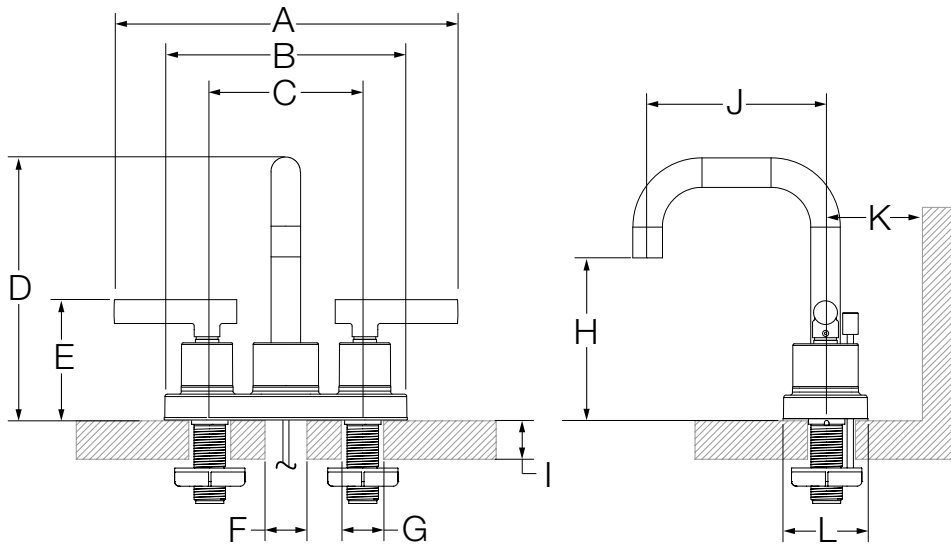
Model Number	Specification
<input type="checkbox"/> SLC-3512-1.0 <i>Centerset Faucet</i>	<p>Complete 4 inch assembled faucet constructed from solid brass includes lift rod, metal pop-up drain assembly, mounting hardware (nonmetallic and brass components) and 1.0 gpm (3.8 L/min) aerator with aerator removal key. Components plated in standard polished chrome finish.</p> 
Modifications	
<input type="checkbox"/> -0.5  <i>0.5 gpm (1.9 L/min) flow rate restrictor</i>	
<input type="checkbox"/> -STN <i>Satin nickel finish</i>	Warranty
Note: Append appropriate -suffix to model number.	<p>Limited Lifetime - to the original end purchaser in consumer/residential installations.</p> <p>10 Years - for commercial/industrial installations. Refer to www.symmons.com/warranty for complete warranty information.</p> 
Compliance / Conforme	
ASME A112.18.1/CSA B125.1 NSF/ANSI/CAN 61: Q<1, NSF/ANSI 372	
WaterSense 1.0 gpm (3.8 L/min)	



Architectural/ Engineering Specification

Symmons Dia Centerset Faucet _____ With Complete 4 inch assembled faucet constructed from solid brass includes lift rod, metal pop-up drain assembly, mounting hardware (nonmetallic and brass components) and 1.0 gpm (3.8 L/min) aerator with aerator removal key. Components plated in standard polished chrome finish. 10 Year commercial Warranty. ASME A112.18.1/CSA B125.1, NSF/ANSI/CAN 61: Q<1, NSF/ANSI 372, WaterSense 1.0 gpm (3.8 L/min) complaint. Available options include: "-0.5 - 0.5 gpm (1.9 L/min) flow rate restrictor", "-STN - Satin nickel finish".

Dimensions



Measurements	
A	8-11/16", 221 mm
B	6-1/8", 156 mm
C	4", 102 mm
D	6-5/8", 168 mm
E	3-1/16", 78 mm
F	Min. Ø 1-1/2", 38 mm Max. Ø 1-5/8", 41 mm
G	Min. Ø 1-1/4", 32 mm Max. Ø 1-1/2", 38 mm
H	4-1/8", 105 mm
I	Min. 3/4", 19 mm Max. 1-1/2", 38 mm
J	4-1/2", 114 mm
K	Min. 2-1/2", 64 mm
L	2-3/16", 56 mm

Note: Dimensions are subject to change without notice.


SLC-3512
Robinet monopièce
Produit Soumission



Numéro de modèle

- SLC-3512-1.0**
Robinet monopièce

Modifications

- 0.5**  *0.5 gpm (1.9 L/min) limiteur de débit de taux*
- STN** *Fini nickel satiné*

Remarque: Approprié append -suffixe au numéro de modèle.

Conforme

ASME A112.18.1/CSA B125.1

NSF/ANSI/CAN 61: Q<1, NSF/ANSI 372

WaterSense 1.0 gpm (3.8 L/min)



Spécification

Le robinet monopièce comprends complète robinet 4 pouces assemblé, une tige de levage, un assemblage de drain soulevable, le matériel de montage et un aérateur de 1.0 gpm / (3,8 l/min) avec une clé d'enlèvement d'aérateur. Composantes fabriquées de métal matériaux plaqués de fini chrome poli standard.

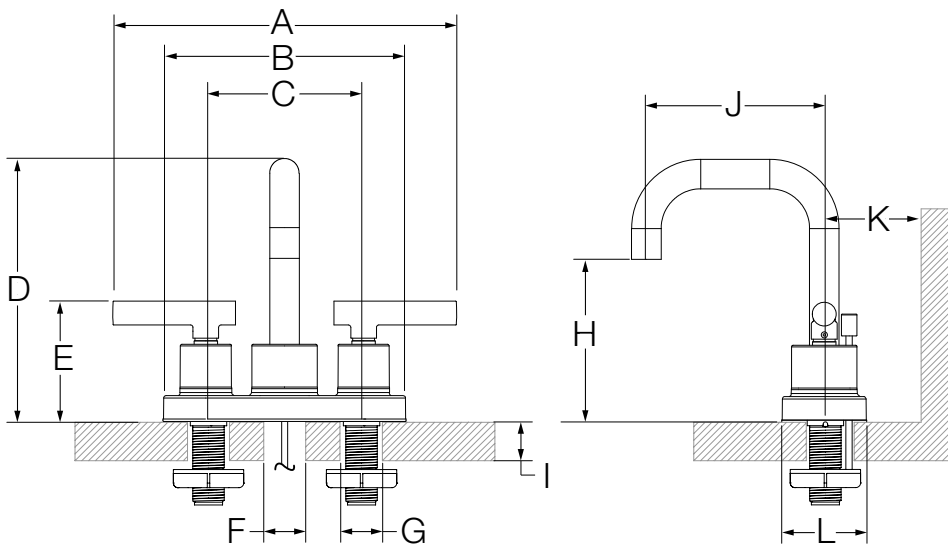


Garantie

Garantie limitée - à l'acheteur original dans les installations du consommateur/résidentiel.
10 Ans - pour les installations commerciales/industriel. Se reporter au www.symmons.com/warranty pour l'information complète concernant la garantie.



Dimensions



Mesures	
A	8-11/16", 221 mm
B	6-1/8", 156 mm
C	4", 102 mm
D	6-5/8", 168 mm
E	3-1/16", 78 mm
F	Min. Ø 1-1/2", 38 mm Max. Ø 1-5/8", 41 mm
G	Min. Ø 1-1/4", 32 mm Max. Ø 1-1/2", 38 mm
H	4-1/8", 105 mm
I	Min. 3/4", 19 mm Max. 1-1/2", 38 mm
J	4-1/2", 114 mm
K	Min. 2-1/2", 64 mm
L	2-3/16", 56 mm

Remarque: Les dimensions sont indiquées sous réserve de modifications.