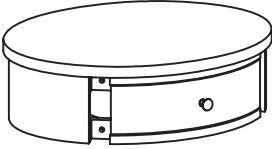
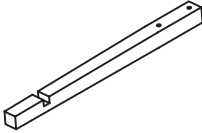
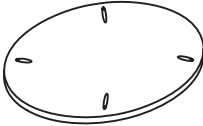

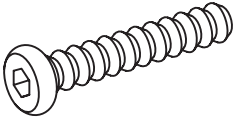


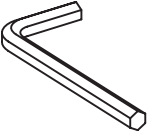
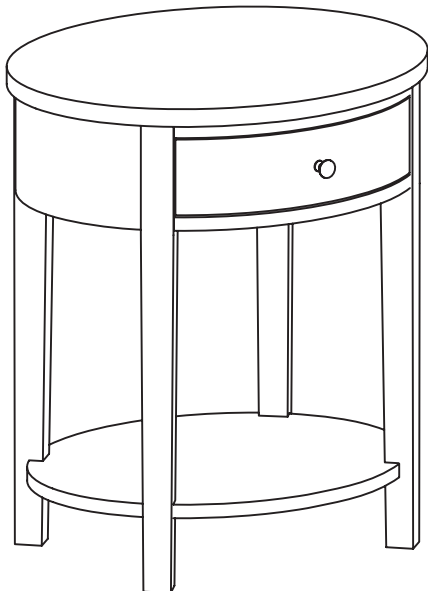


ASSEMBLY INSTRUCTION

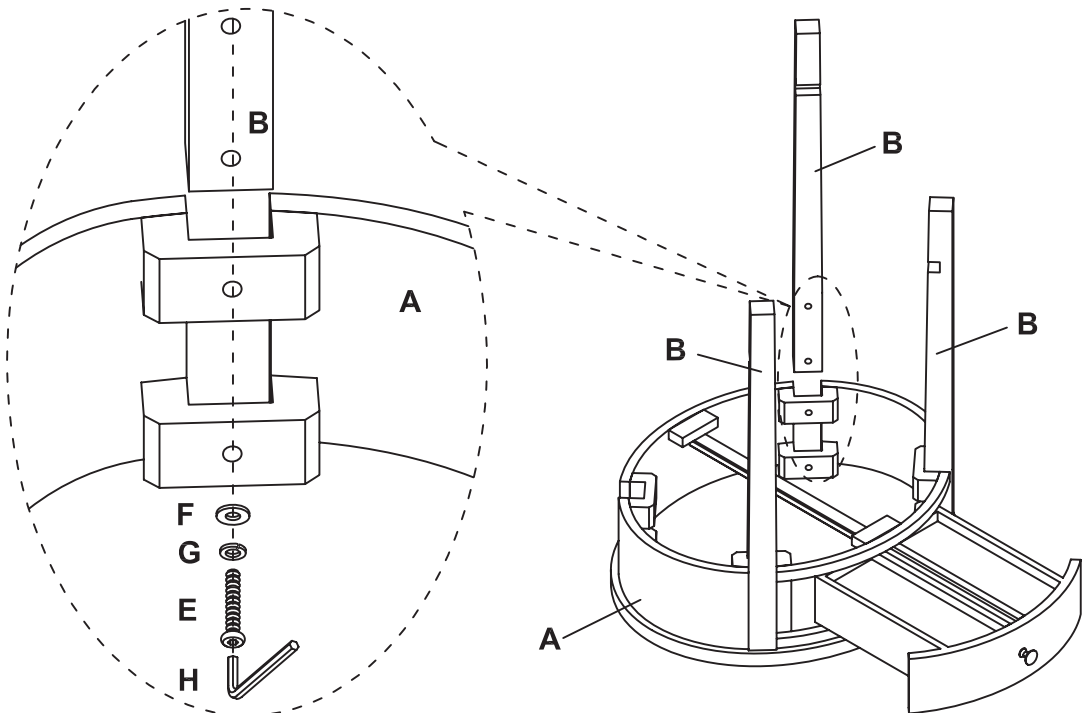
E565A OVAL NIGHTSTAND

A Table Top  1 PC	B Leg  4 PCS	C Shelf  1 PC	D Screw 5/32", 40mm  4 PCS
E Bolt 1/4", 44mm  8 PCS	F Flat Washer Ø1/4"*19mm  8 PCS	G Lock Washer Ø1/4"*11mm  8 PCS	H Allen Wrench 4 mm  1 PC

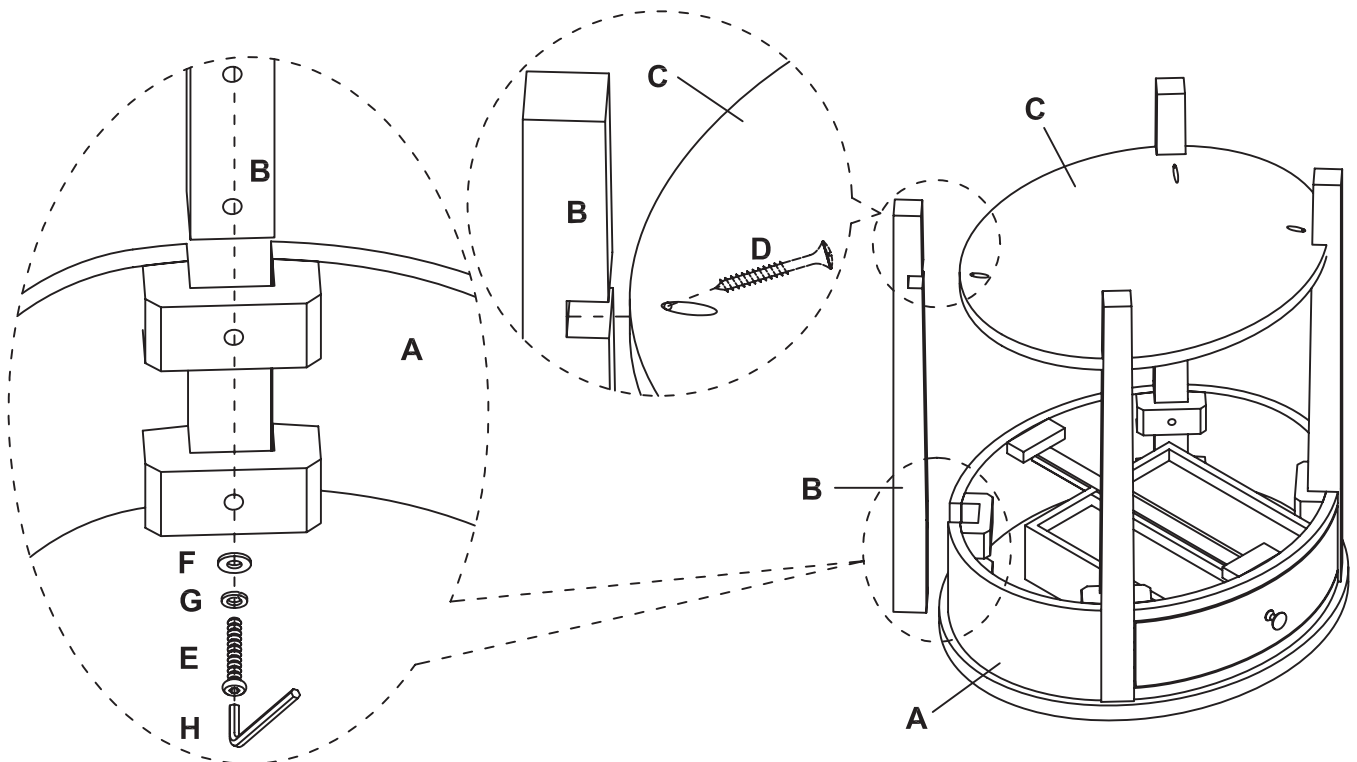


This page lists all the contents included in the box. Please take the time to identify the hardware as well as the individual components to this product. As you unpack and prepare for assembly, place the contents on a carpeted or padded area to protect them from damage.

- 1** Attached Three Leg (B) to the Table Top (A). Use Bolt (E), Lock Washer (G) and Flat Washer (F), on holes of Table Top Wood (A). Turn the Allen Wrench (H) in Bolt (E).



- 2** Attached Shelf (C) to the Leg (B). Use Screw (D), on holes of Shelf (C). Attached the rest of Leg (B) to the Table Top (A) and Shelf (C) in last.



Cleaning & Care

Treat surface with care. Surface is resistant to scratches but is not scratch resistant. Clean surface with a dry or damp soft cloth. Do not use abrasive cleaners. Hardware may loosen over time. Periodically check that all connections are tight.