

ASM QD NAR MOUNT **FOR AIMPOINT® ACRO**

OPERATOR MANUAL



B&T AG
3608 Thun • Switzerland
Tel +41 33 334 67 00
info@bt-ag.ch
www.bt-ag.ch

Advice



This operator manual only explains the use of the B&T Aimpoint mount.
The operation of the Aimpoint is explained in the Aimpoint user manual.

EYE PROTECTION MUST BE WORN!



SAFETY GOGGLES MUST BE WORN WHEN DISASSEMBLING AND REASSEMBLING THE GUN. PARTS CAN GET INTO THE EYES IF HANDLED INCORRECTLY.

EAR PROTECTION MUST BE WORN!



SUITABLE HEARING PROTECTION MUST ALWAYS BE WORN WHEN SHOOTING WITH A FIREARM.

Definition

Left / right side: Defined looking in firing direction.

Table of Contents:

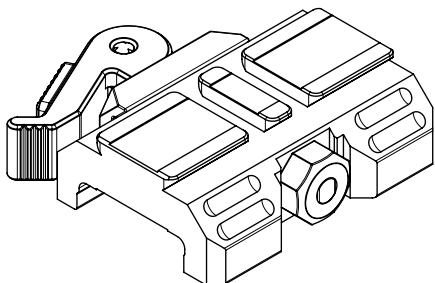
1. Mounting & Dismounting on weapon.....	4
1.1 Mounting with QD system on the weapon	4
1.2 Dismounting QD system from the weapon.....	4
1.3 Mounting the fix mount system on the weapon.....	5
1.4 Dismounting the fix mount system from the weapon.....	6
2. Mounting & Dismounting Aimpoint® ACRO	7
2.1 Mounting Aimpoint® ACRO	7
2.2 Dismounting Aimpoint® ACRO	8
3. Changing clamping systems.....	9
3.1 Switch to QD clamping system	9
3.2 Change to fix clamping system	11
4. Warranty statement	12

This user manual applies to the following Aimpoint® ACRO P1/P2 mounts:

Aimpoint® ACRO P1/P2

H=23mm

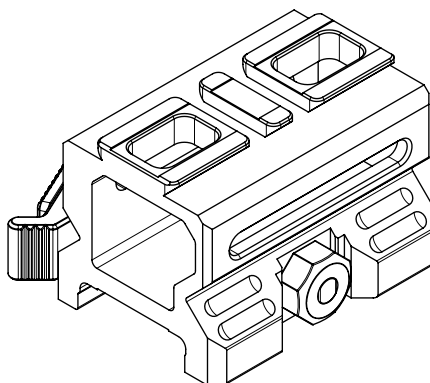
BT-212776



Aimpoint® ACRO P1/P2

H=39mm

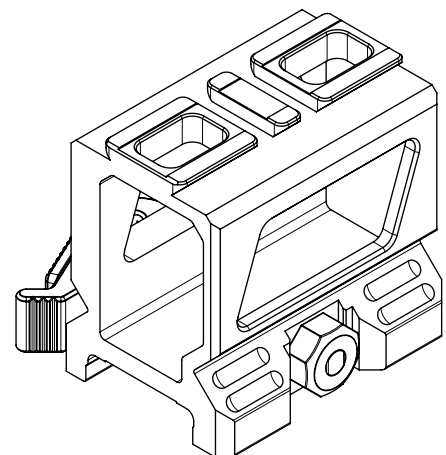
BT-212767



Aimpoint® ACRO P1/P2

H=52mm


BT-212769



1. Mounting & Dismounting on weapon

1.1 Mounting with QD system on the weapon

If the Aimpoint® ACRO is not mounted, see “Mounting & Dismounting Aimpoint® ACRO” page 7.

Advice	
	If the clamping lever gets in the way, the Aimpoint® ACRO can also be rotated 180° on the mounting.




a. Release the lever by pushing the lock toward the axis of the lever.

b. Place the mount with the prism (opposite side of the QD lever) on the accessory rail.



c. Swivel the mount on the rail

d. Close the lever in order to hold the mount in place.

ATTENTION!	
	When the lever is parallel to the upper receiver, resistance should be felt. If so, the QD System is set correctly. If not, tighten or loosen the nut. (See section 3.1 h on page 8)



e. The lock shall snap audibly in place.

1.2 Dismounting QD system from the weapon


a. Move the lock toward the the axis of lever and release the lever.



b. The assembly can now be removed.


1.3 Mounting the fix mount system on the weapon

If the Aimpoint® ACRO is not mounted, see “Mounting & Dismounting Aimpoint® ACRO” page 7.

Advice	
	If the clamping plate gets in the way, the Aimpoint® ACRO can also be rotated 180° on the mount.



1. Position the washer on the screw.
2. Insert the screw with the washer into the mount.

ATTENTION!	
	DO NOT LOSE THE TWO SPRINGS!



3. Place the mount on the accessory rail.
4. Install the clamping plate from the left.



5. Tighten the screw until resistance is felt. Then turn the screw a further 3/8 turn until it is fully tightened (4 Nm / 3 ft·lb).



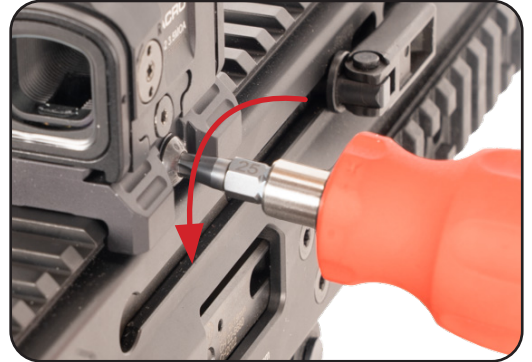
1.4 Dismounting the fix mount system from the weapon

ATTENTION!



DO NOT LOSE THE TWO SPRINGS!


1. Loosen the screw of the mount with a T25 Torx counter-clockwise and remove the counterpart.
2. Remove the screw and washer from the assembly and remove them from the gun.

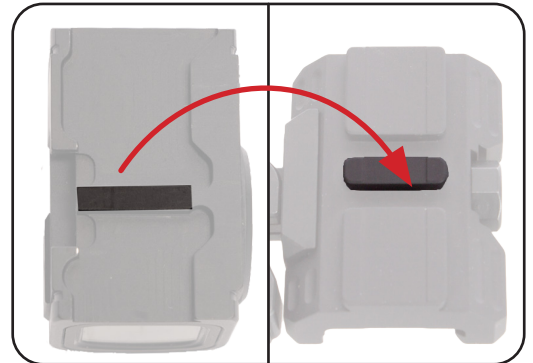


2. Mounting & Dismounting Aimpoint® ACRO

2.1 Mounting Aimpoint® ACRO

- Position the Aimpoint® ACRO on the rail.
- The stop of the Aimpoint® ACRO must be positioned in the recess.

Advice	
	The Aimpoint® ACRO can be mounted on both sides. The QD lever on the weapon will be either on the left or right side.




- The Aimpoint® ACRO must be in line with the assembly.



- Position the clamping jaw in the Aimpoint® ACRO.



- Insert the screw into the screw recess of the Clamping Jaw and tighten it clockwise to approx. 1 Nm using the Aimpoint® Tool or a Torx wrench size 10.

SAFETY ADVICE!	
	Consult the Aimpoint® user manual for torque and key size: In case of doubt, the Aimpoint® user manual applies.



2.2 Dismounting Aimpoint® ACRO

- a. Using the Aimpoint® Tool or a Torx wrench size 10, loosen the screw of the Aimpoint® ACRO counterclockwise and remove the target device from the assembly.



3. Changing clamping systems

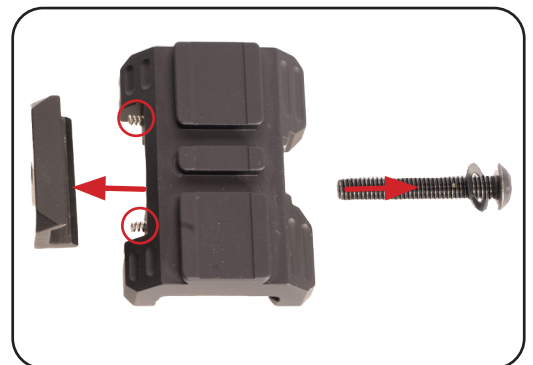
3.1 Switch to QD clamping system

- a. Remove the original fix assembly:
» Using a Torx 25 wrench, loosen the screw counterclockwise.



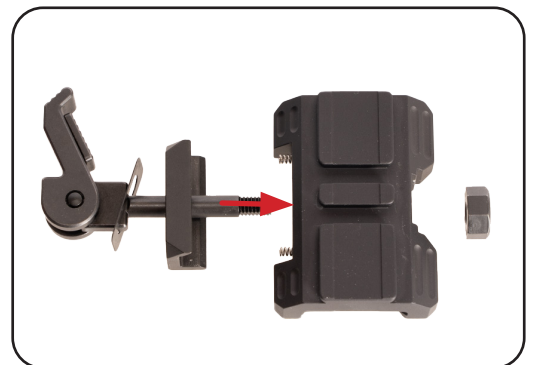
- b. Remove the clamping jaw.
c. Remove the screw and washer.

ATTENTION!	
	DO NOT LOSE THE TWO SPRINGS!



- d. Insert the QD lever with clamping jaw from the left.


ATTENTION!	
	DO NOT LOSE THE TWO SPRINGS!

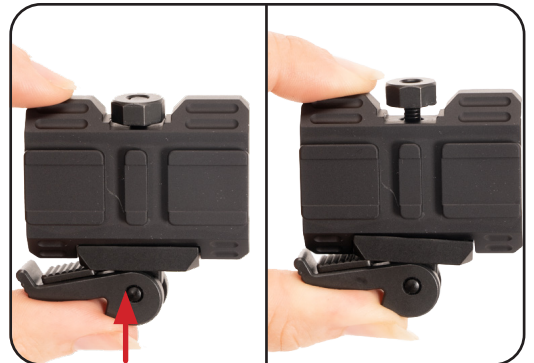



- e. Push the lever inwards, screw the nut onto the thread of the QD lever from the right.
f. Tighten the nut.

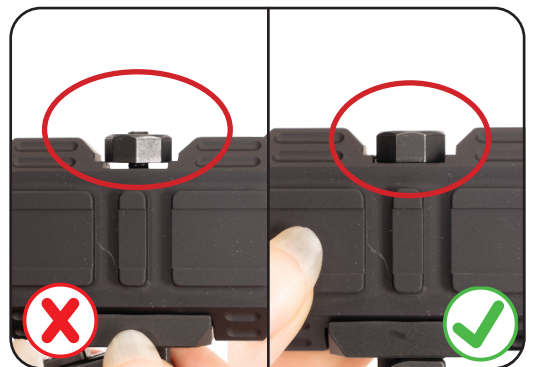


- g. To loosen, turn the nut clockwise by hand. Turn counter-clockwise to tighten.

Advice	
	A maximum of 45° (one area of the hex nut) should be adjusted per pass.



ATTENTION!	
	The nut must be positioned after rotation so that it fits into the recess and does not protrude.

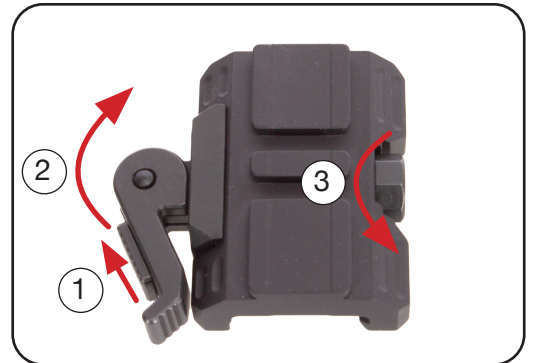


- h. For mounting on a weapon, see chapter 1.1
- i. When the lever is parallel to the upper receiver, resistance should be felt.
- » If so, the assembly is set correctly.
 - » If not, tighten or loosen the nut.




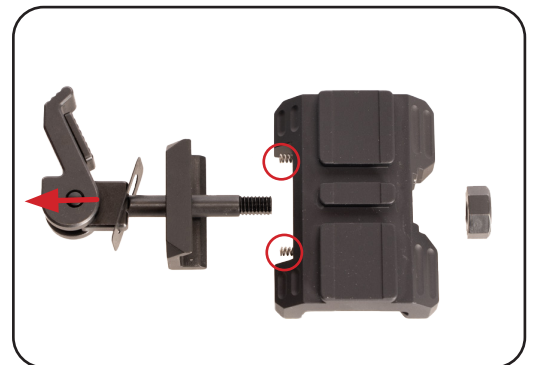
3.2 Change to fix clamping system

- a. Release the lever by pushing the lock toward the axis of the lever.
- b. Open the lever
- c. Loosen the nut counterclockwise.




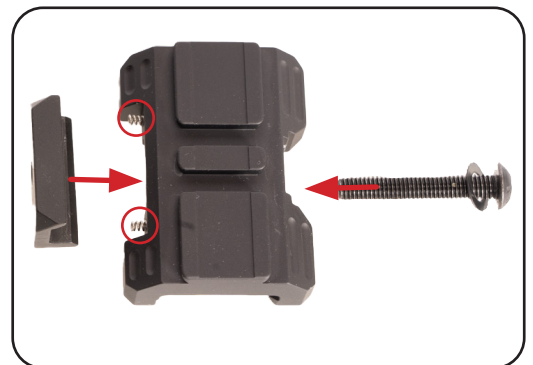
- d. Release the QD lever from the assembly.

ATTENTION!	
	DO NOT LOSE THE TWO SPRINGS!



- e. Install the spring and washer.
- f. Place the clamping jaw on the other side.

ATTENTION!	
	DO NOT LOSE THE TWO SPRINGS!



- g. Tighten the screw clockwise with a Torx 25 wrench.



4. Warranty statement

Warranty claims on behalf of the client are to be explicitly declared as such. During the legal warranty period, B&T provides warranty cover solely for defects that arise as a result of faulty materials, construction errors or poor workmanship. If a warranty claim is justified, B&T will, at its own discretion, either repair or replace the defective good. Costs incurred in transporting the defective good to B&T are borne by the client. Spare parts fitted and replaced become the property of B&T.

Inasmuch as is legally permitted, any other liability of B&T is excluded, in particular liability for damages arising either directly or indirectly from the delivered good itself, from its use or from its defects merchandise is covered by the warranty provisions of the manufacturer. Parts that are naturally subject to wear and tear, damage arising from insufficient maintenance work, non-compliance with operating regulations and cases of force majeure are all excluded from warranty cover. Warranty claims lapse if the client itself or third parties alter or repair the delivered good without the prior written consent of B&T. All product specifications are subject to change without prior notice. Published data are mean values and therefore not suitable acceptance criteria.

The manufacturer:

B&T AG • 3608 Thun • Switzerland

Fon +41 33 334 67 00

info@bt-ag.ch

www.bt-ag.ch