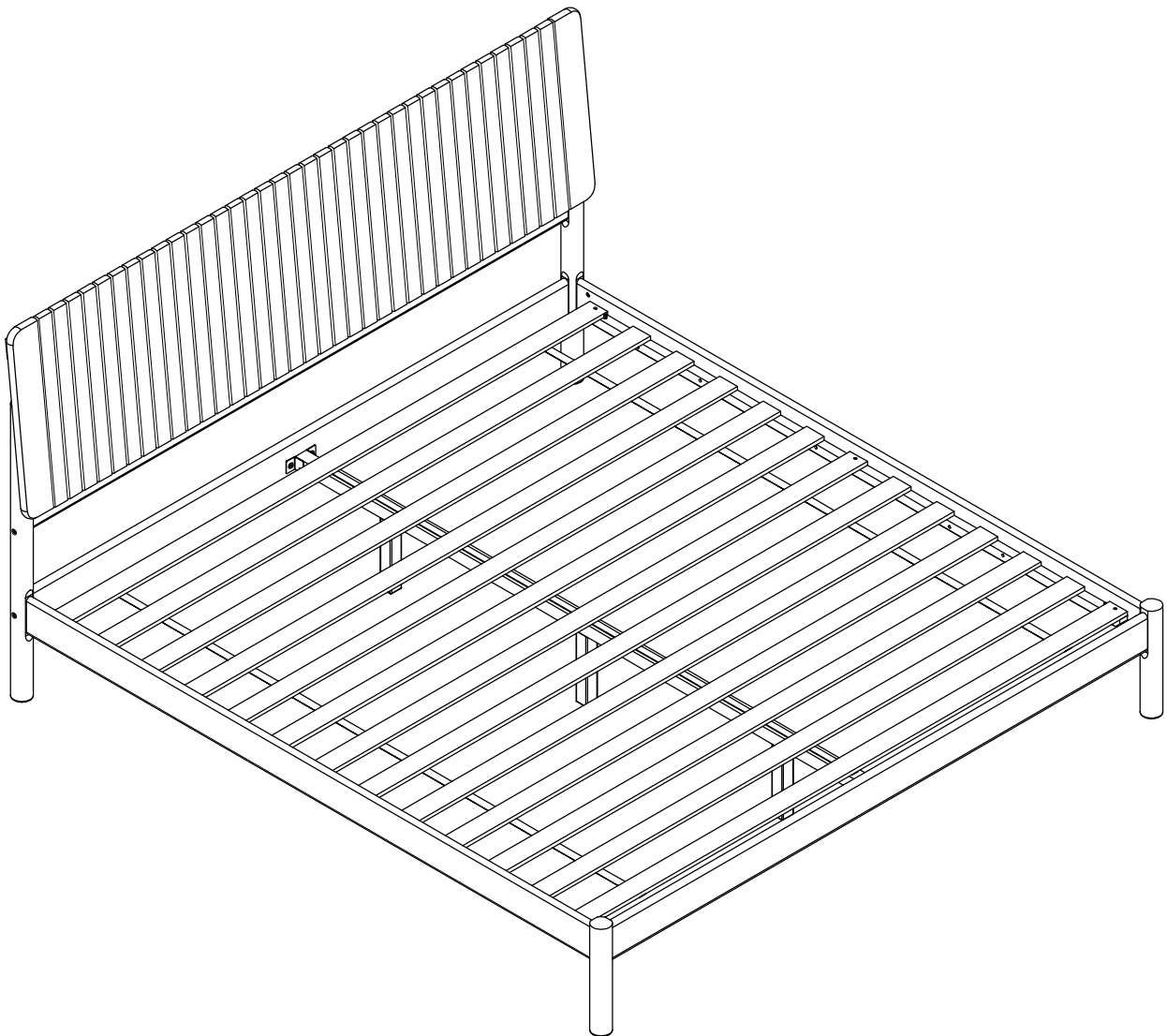


**WALKER EDISON**  
TM

## Slatted Mid Century Bed Frame King

SKU# WESLT03KB4



**For Residential Use Only**

Please visit our website for the most current instructions, assembly tips, report damage, or request parts. [www.walker-edison.com](http://www.walker-edison.com)

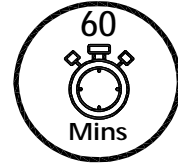


# Time to get started

Set up a clean and soft workplace to get started and avoid damage during the assembly. It also helps to double-check that you've got all the pieces and parts before diving in to assembly.

---

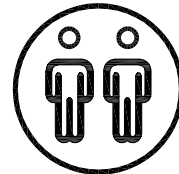
## Estimated time for assembly



---

## People recommended for assembly

Make it a team effort! Grab a friend for quicker, easier assembly.

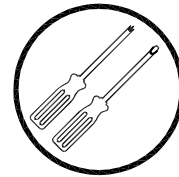


2 People Build

---

## Tools Needed

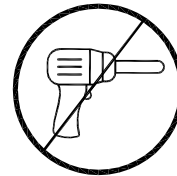
Grab a Phillips head and flat head screwdriver to conquer this assembly.



---

## Use power tools with caution

You can cause cracking or damage to the material and easily strip the hardware. If you choose to use a power tool, your product will no longer be covered under Walker Edison's warranty.

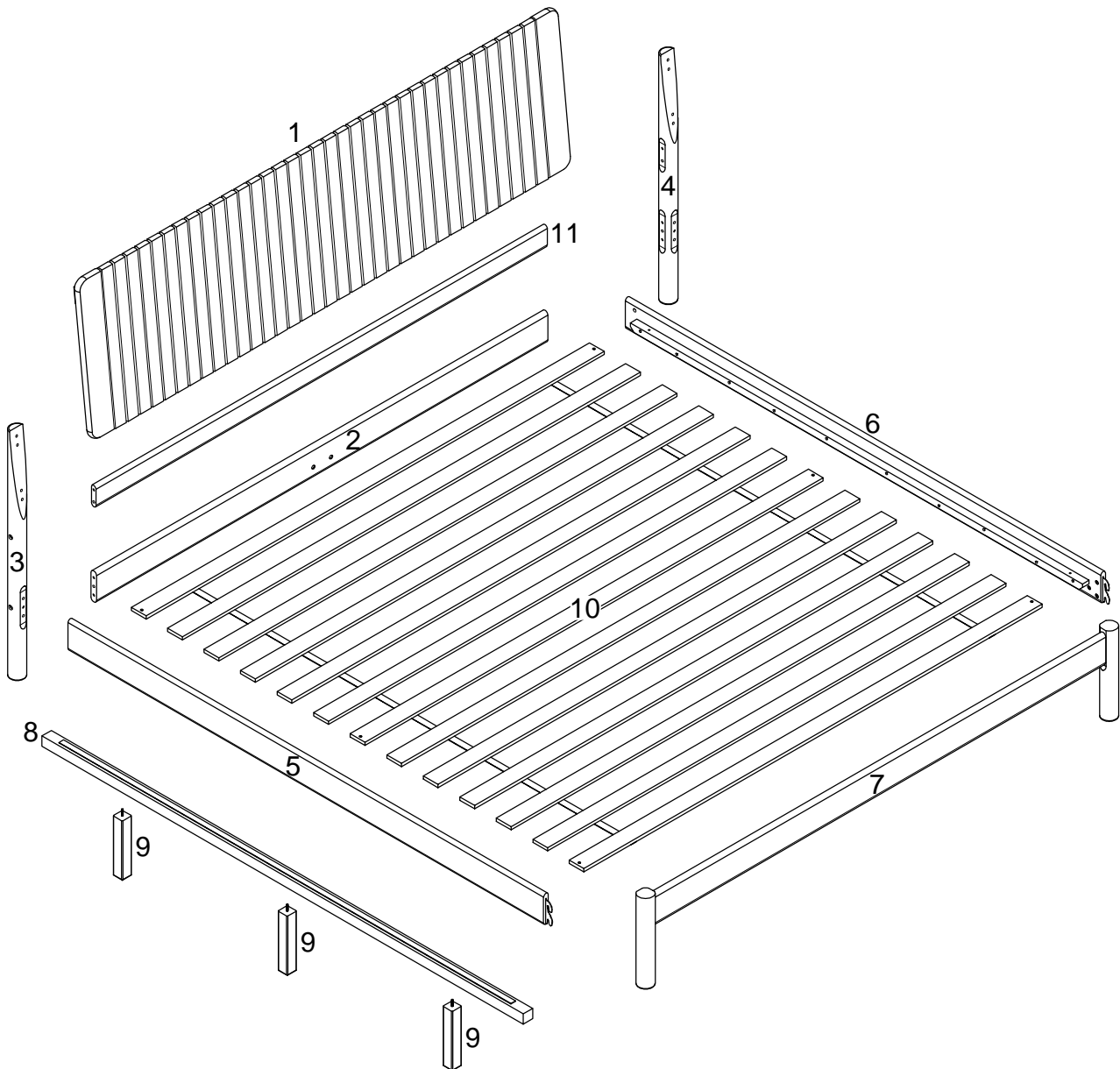


Cama





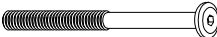



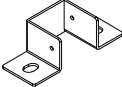
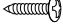
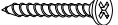
**Scan to get assembly tips and help!**

# WE Parts List

Part Number	Description	Quantity
1	Headboard	1
2	Bottom Headboard support rail	1
3	Left Headboard Post	1
4	Right Headboard Post	1
5	Right Side Rail	1
6	Left Side Rail	1
7	Bottom Rail	1
8	Center Support Rail	1
9	Middle Support Legs	3
10	Bed Slats	1
11	Middle Headboard Support Rail	1



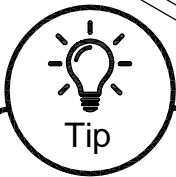
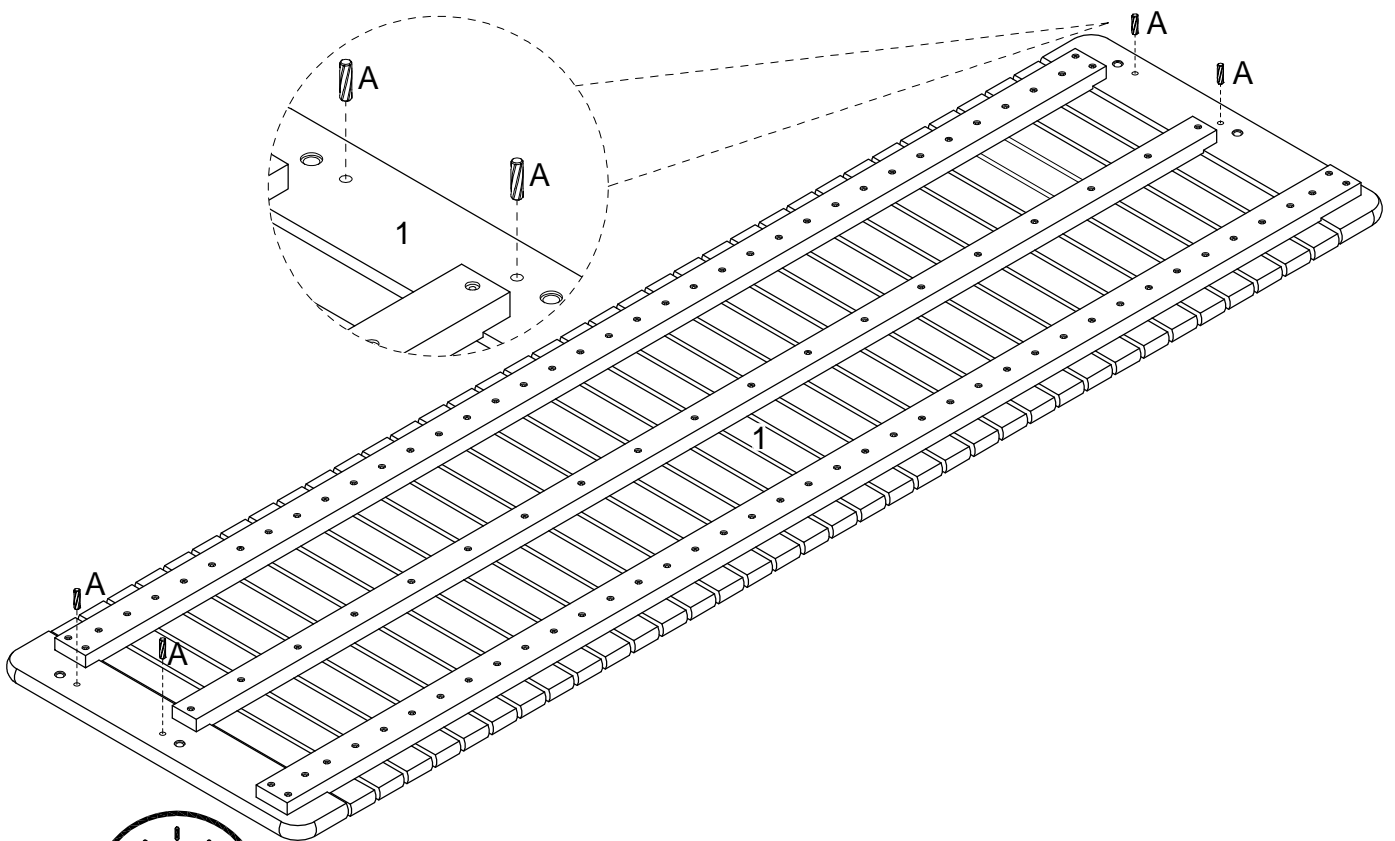
# WE Hardware List

Part	Size	Name	Quantity
A	 8x30mm	Wooden dowel	16
B	 5/16"x20mm	Bolt	4
C	 5/16"x38mm	Bolt	2
D	 5/16"x63mm	Bolt	2
E	 5/16"x100mm	Bolt	8
F	 M4	Hex Key	1
G	 5/16"x16x1.2mm	Washer	4
H	 5/16"x15mm	Barrel nut	8
J	 105x40x32mm	U bracket	2
K	 3x15mm	Screw	4
L	 4x30mm	Screw	6

The hardware quantities listed above are required for proper assembly.  
Extra hardware pieces may be included.

# Step 1

Let's get started! First, insert the Wooden dowels (A) into the backside of the Headboard (1).



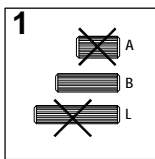
Tip

## Wood Dowels

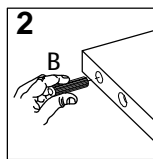
Dowels are essential in furniture assembly for creating strong, precise connections.

They ensure structural integrity, prevent shifting, and simplify alignment, resulting in sturdier, longer-lasting furniture.

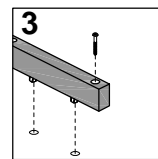
Follow these steps:



1: Select appropriate size dowel compared to size of drill hole and alignment in instructions. If unsure of placement place dowel next to drill hole to compare size and ensure correct placement.



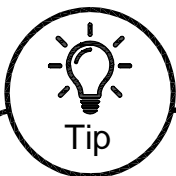
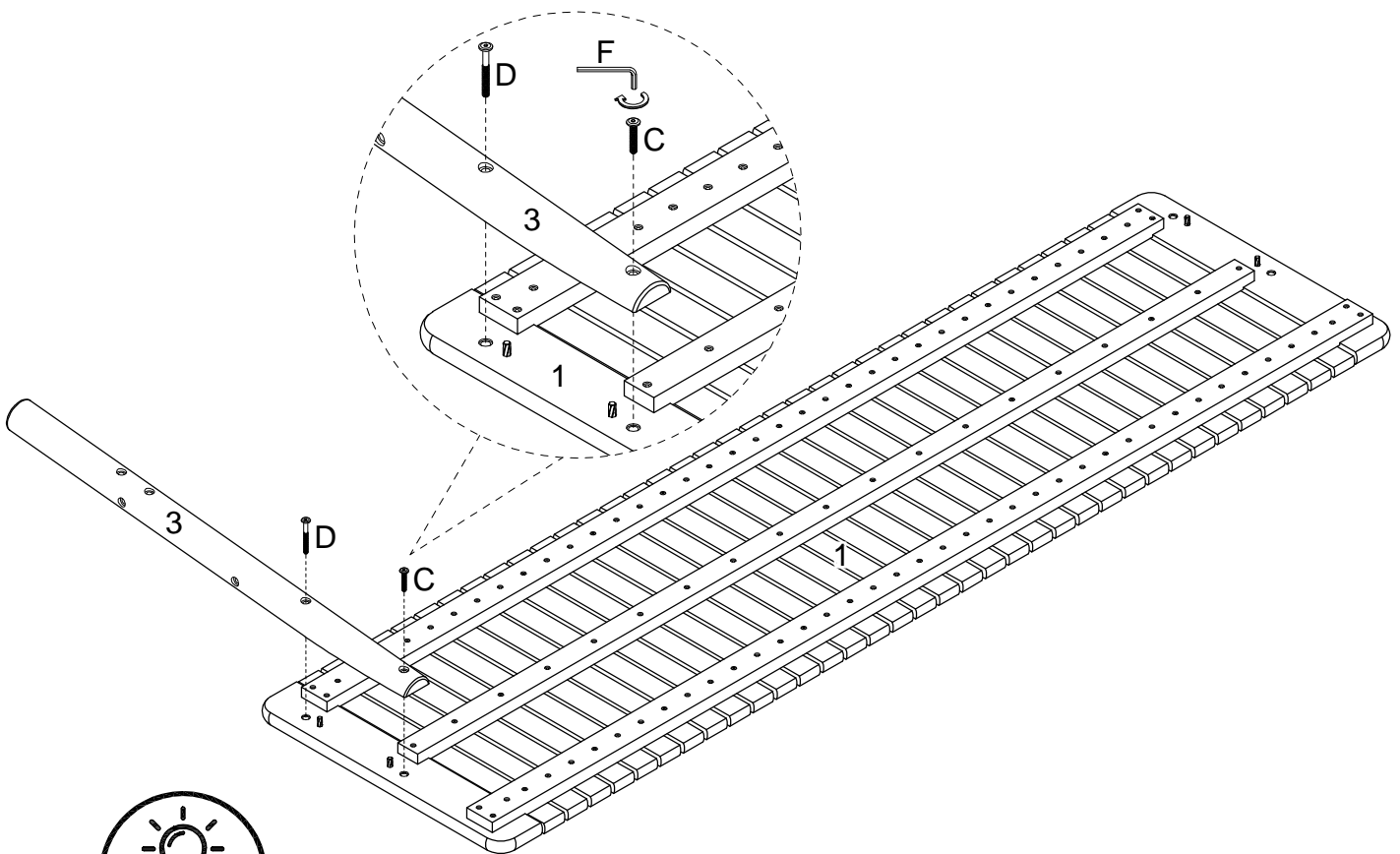
2: Insert into drill hole and press firmly to ensure placement is set.



3: Align the dowel with corresponding piece and press together until secure.

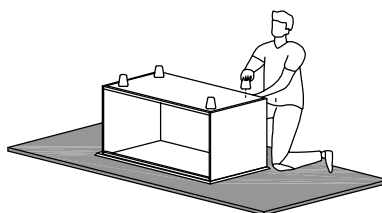
# Step 2

Attach the Left Headboard Post (3) to the backside of the Headboard (1) using Bolt (C) in the top hole and Bolt (D) in the one below. Tighten with the Hex key (F).



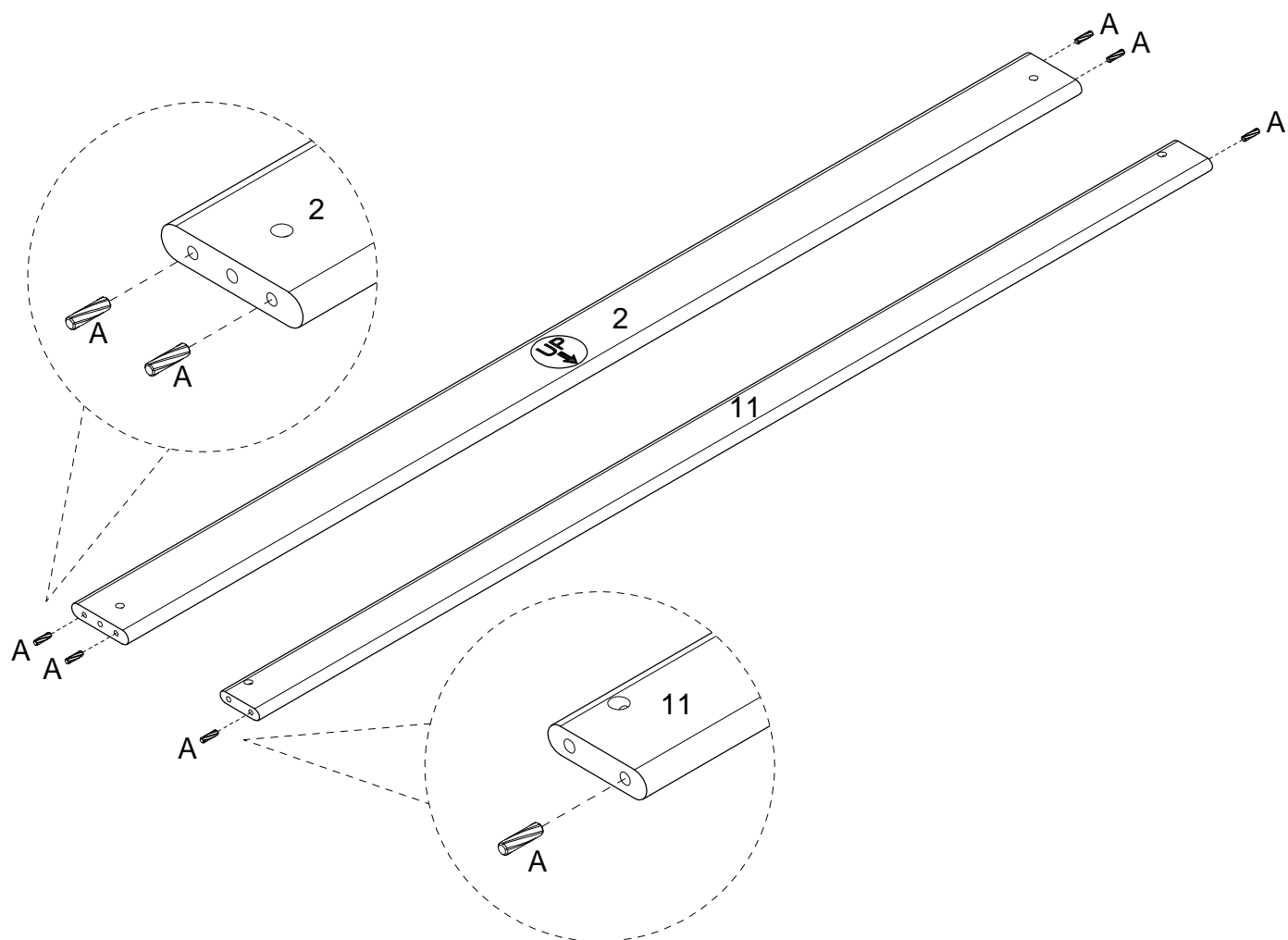
Tip

To keep your product looking its best and scratch-free, try assembling it on a soft surface like carpet or a blanket. This helps prevent any accidental scratches and keeps your furniture in top shape!



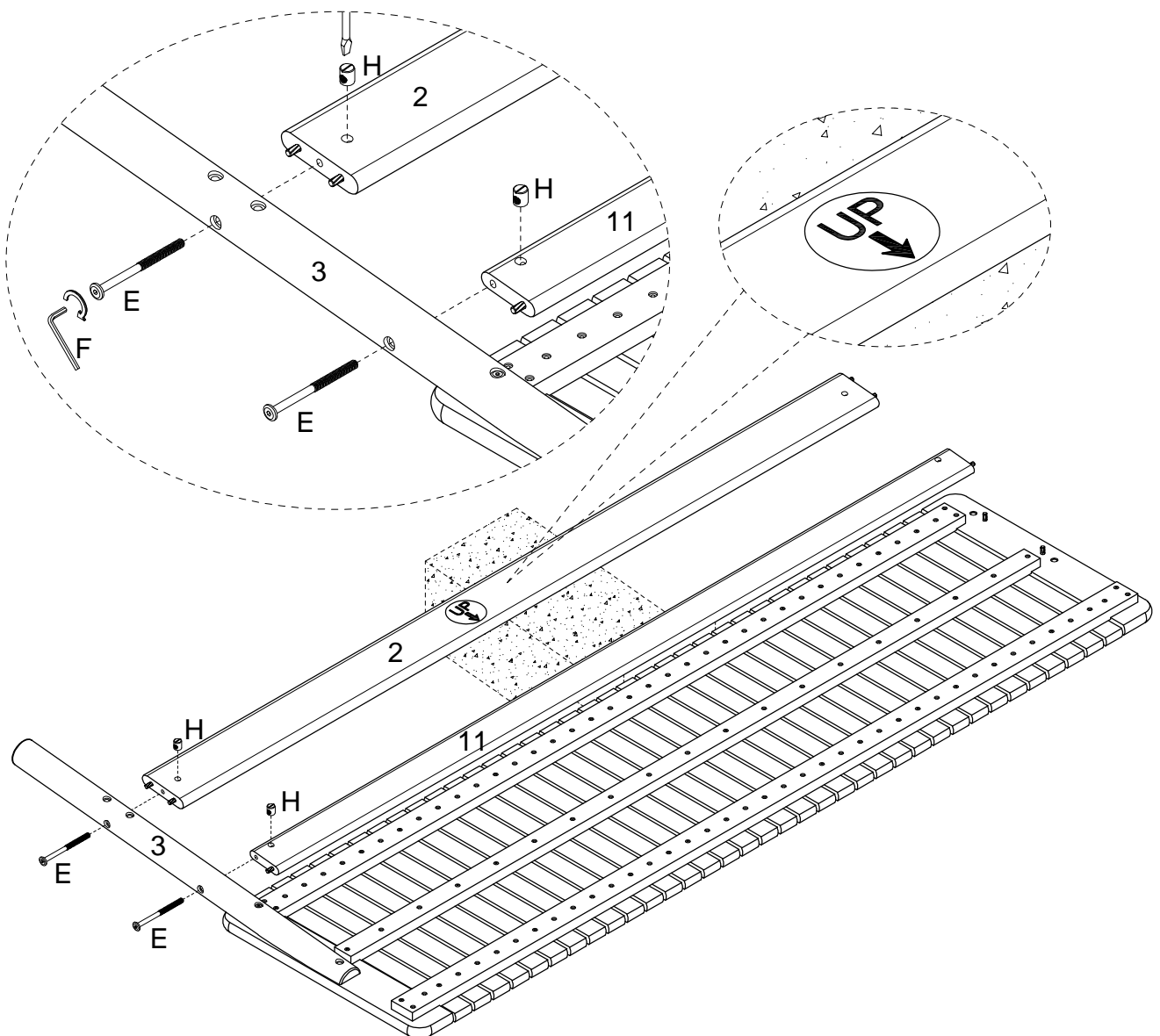
# Step 3

Insert the Wooden dowels (A) into both sides of the Bottom Headboard Support Rail (2) and Middle Headboard Support Rail (11).



# Step 4

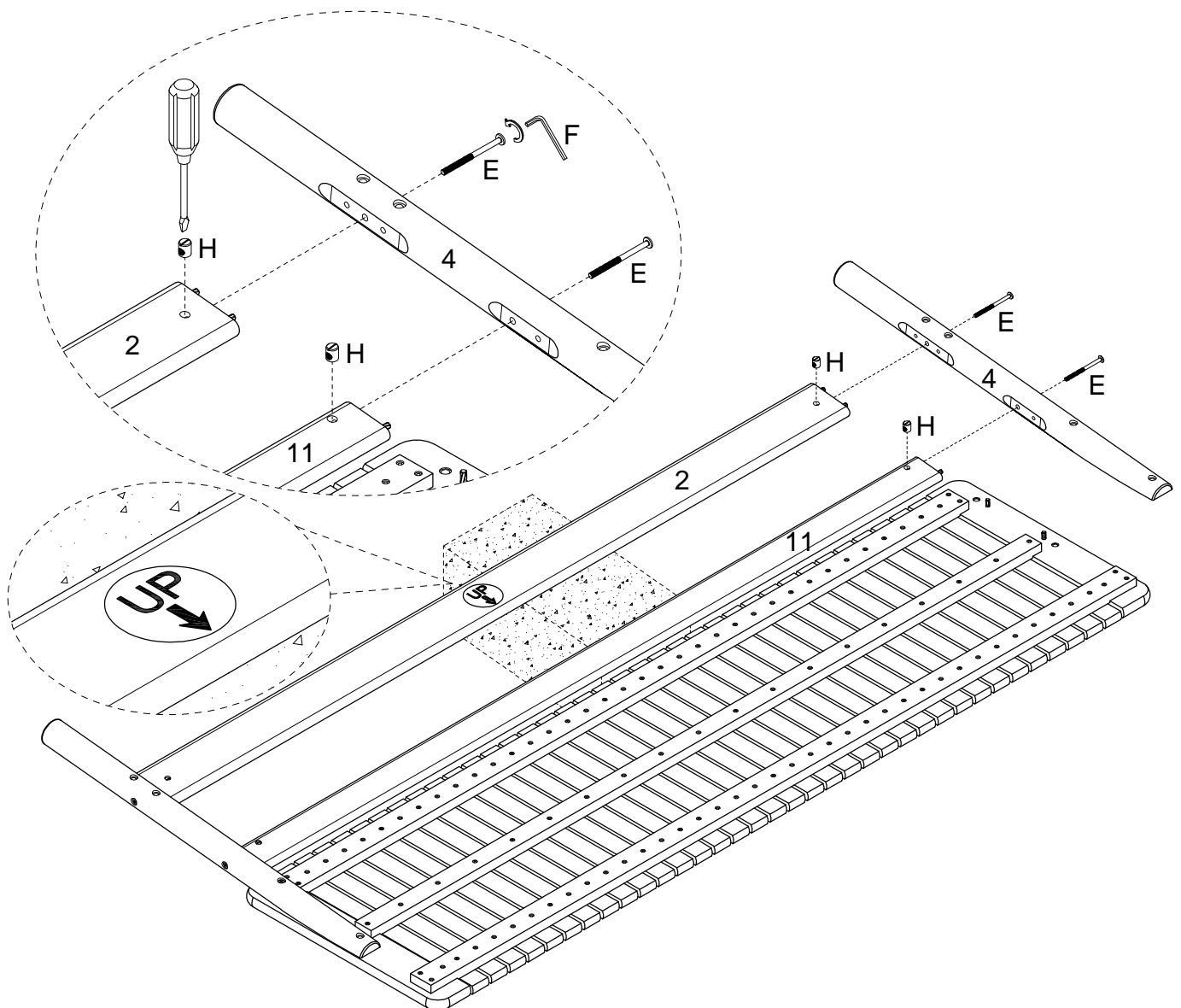
Insert the Bottom Headboard Support Rail (2) and Middle Headboard Support Rail (11) into the Left Headboard Post (3) and then secure it with Bolts (E) threading into the Barrel Nuts (H).





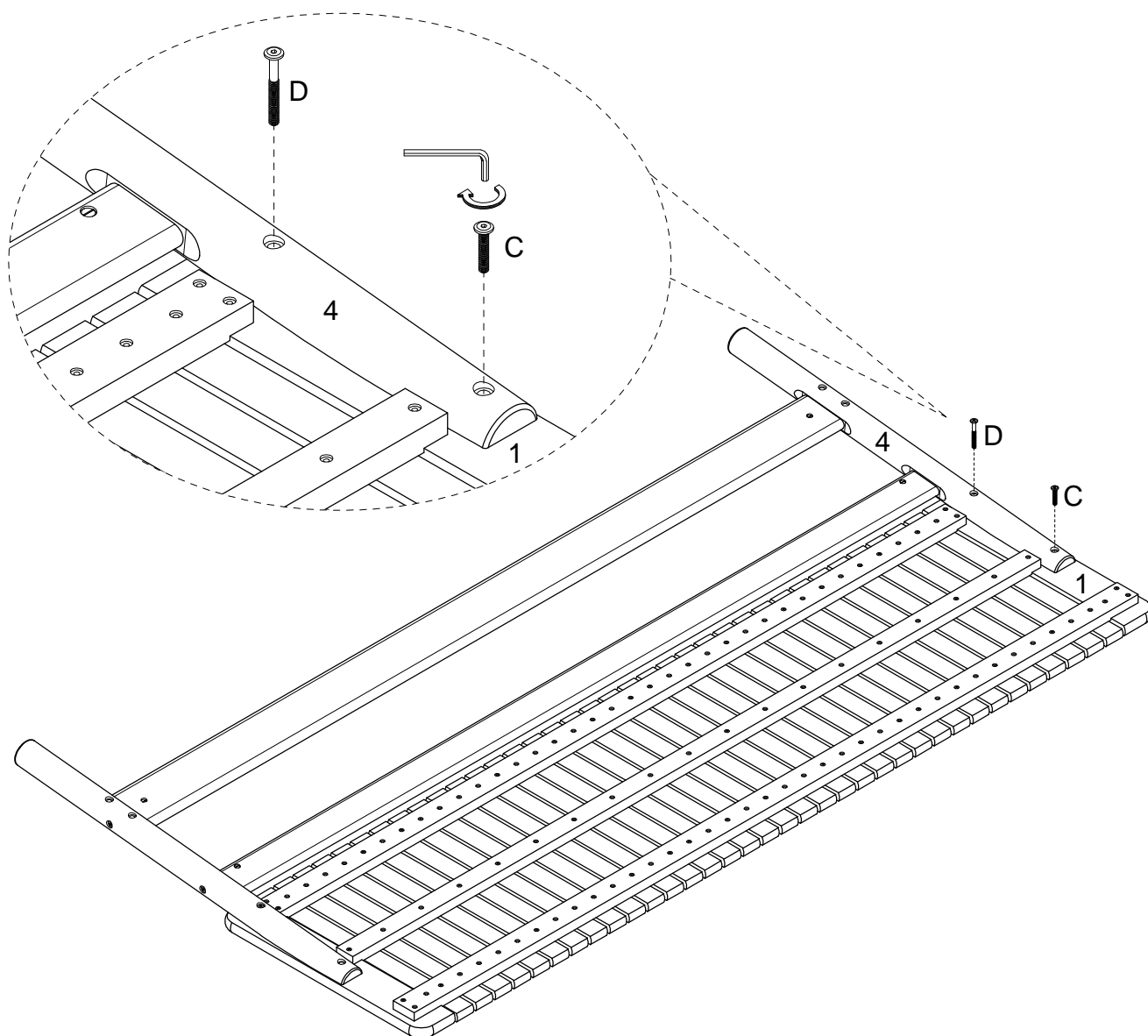
# Step 5

Repeat that process on the other side of the Headboard (1), attaching the Right Headboard Post (4) to the Bottom Headboard Support Rail (2) and Middle Headboard Support Rail (11) with the Bolts (E) threading into the Barrel Nuts (H).



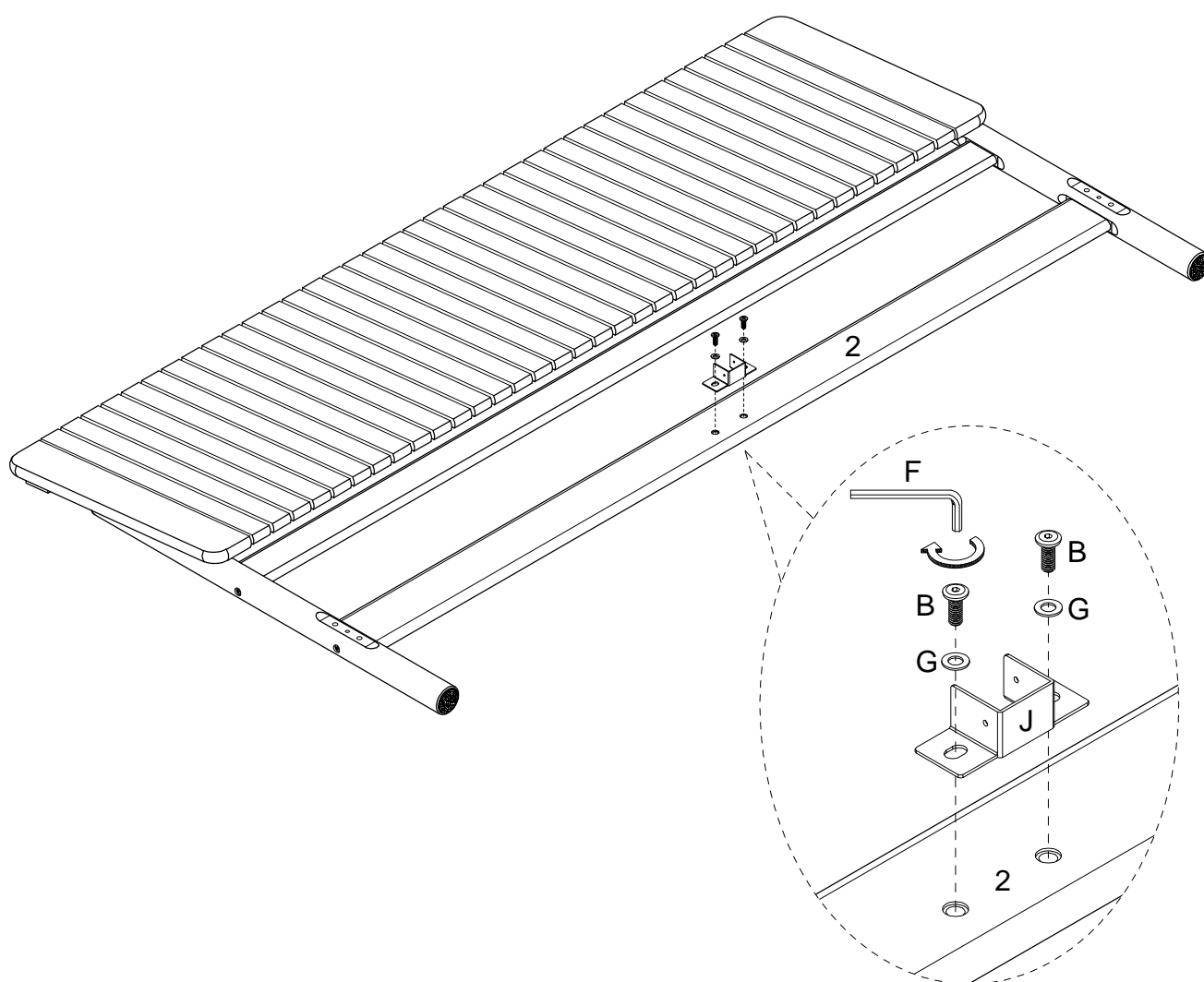
# Step 6

Finish securing the Right Headboard Post (4) using Bolt (C) in the top hole and Bolt (D) in the one below.



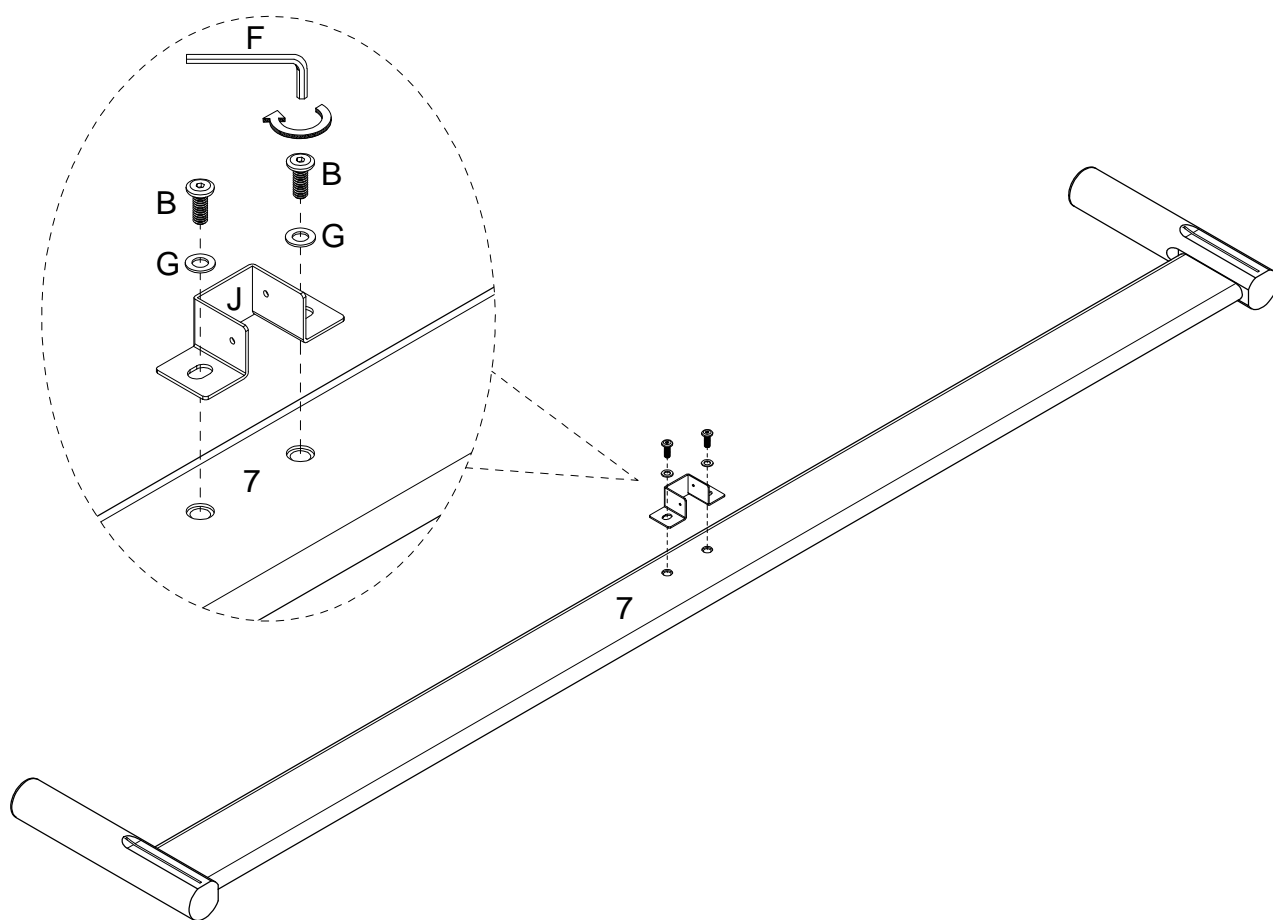
# Step 7

Turn the Headboard (1) over and screw in one of U brackets (J) to the Bottom Headboard Support Rail (2) using the Washers (G) and Bolts (B).



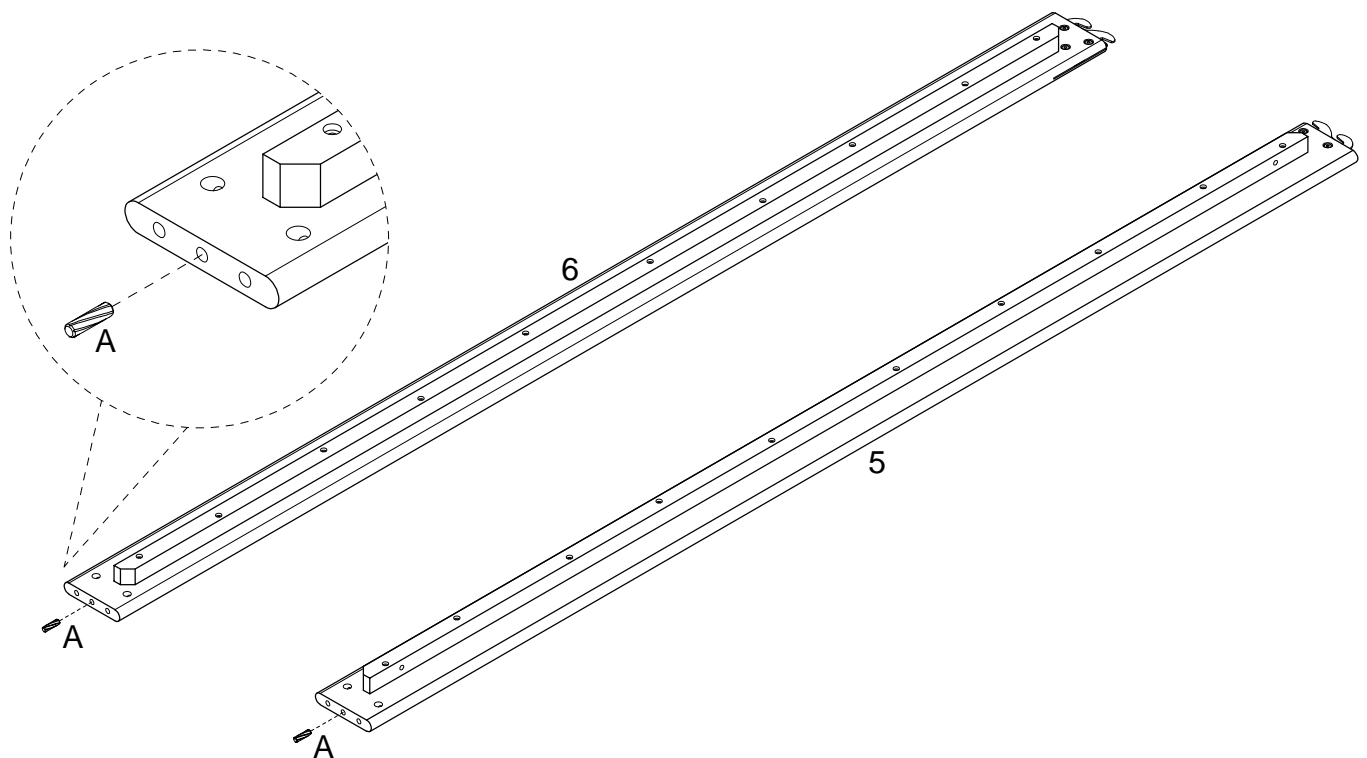
# Step 8

Repeat that process on the Bottom Rail (7) to attach the other U bracket (J).



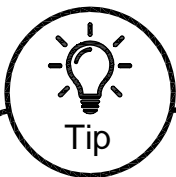
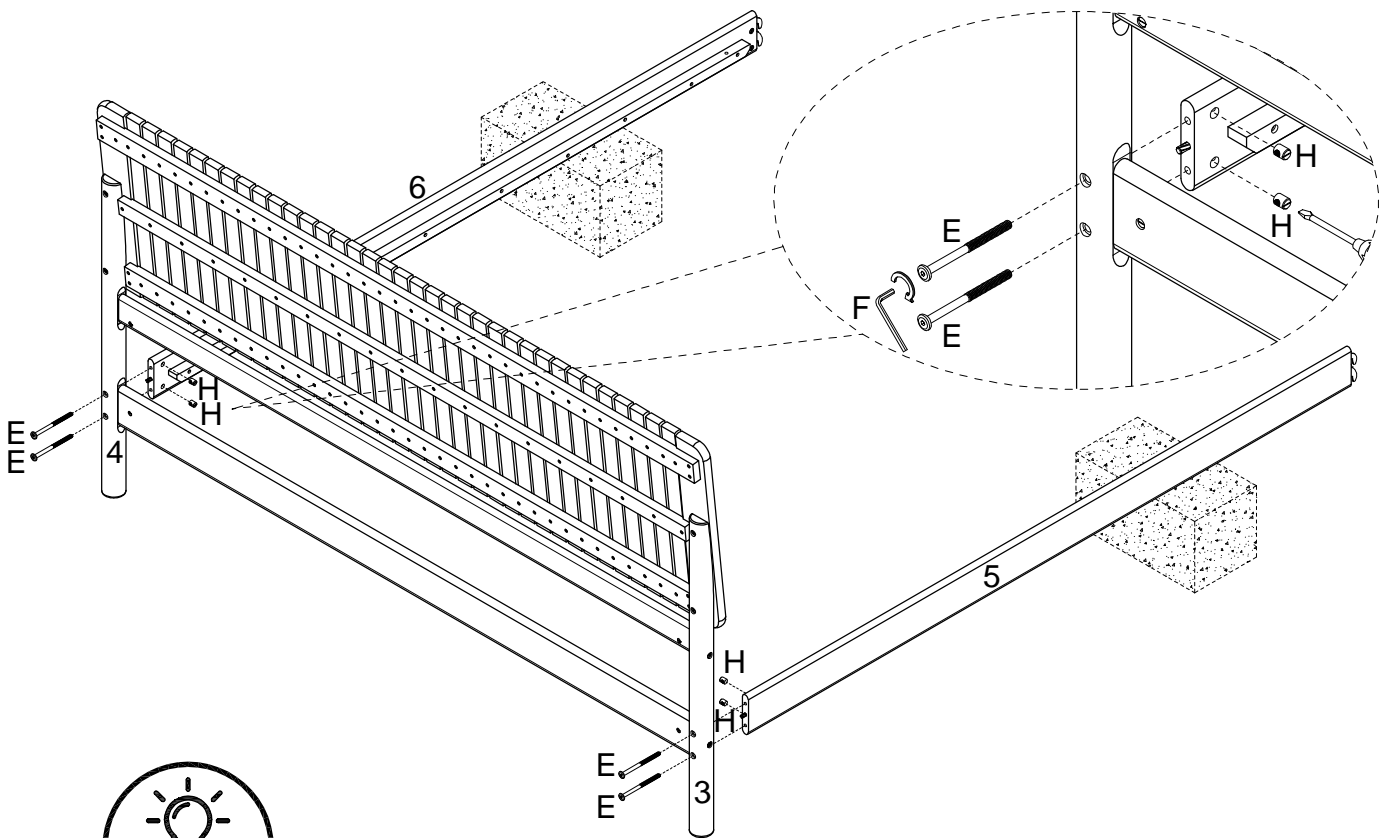
# Step 9

Grab both Side Rails (5 & 6) and insert the Wooden dowels (A) into the middle hole on one side.

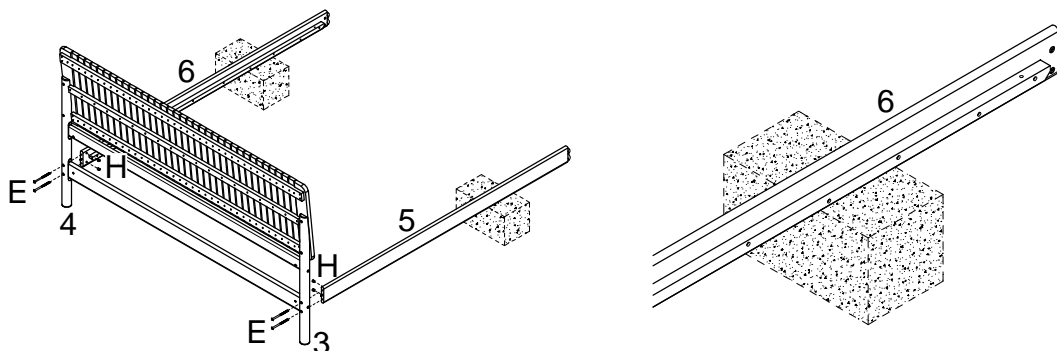


# Step 10

Find some yoga blocks, books, or anything you have near you to prop up the Side Rails (5 & 6) while attaching them to the Headboard Posts (3 & 4). Insert the Bolts (E) through the backside of the Headboard Posts (3 & 4) and thread them into the Barrel nuts (H) until tight.

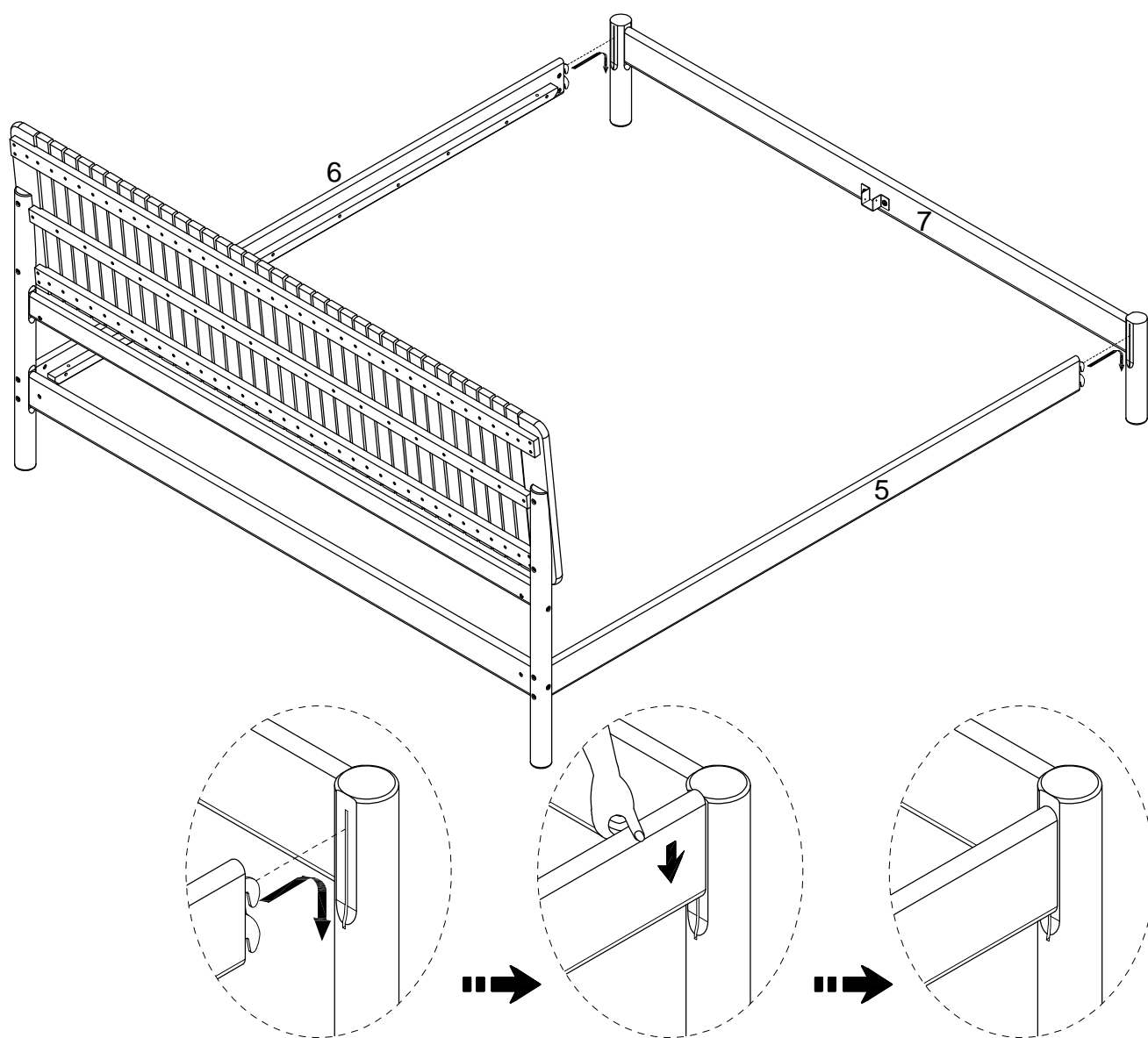


Find some yoga blocks, books, or anything you have near you to prop up the Side Rails (5 & 6) while attaching them to the Headboard Posts (3 & 4). Insert the Bolts (E) through the backside of the Headboard Posts (3 & 4) and thread them into the Barrel nuts (H) until tight.



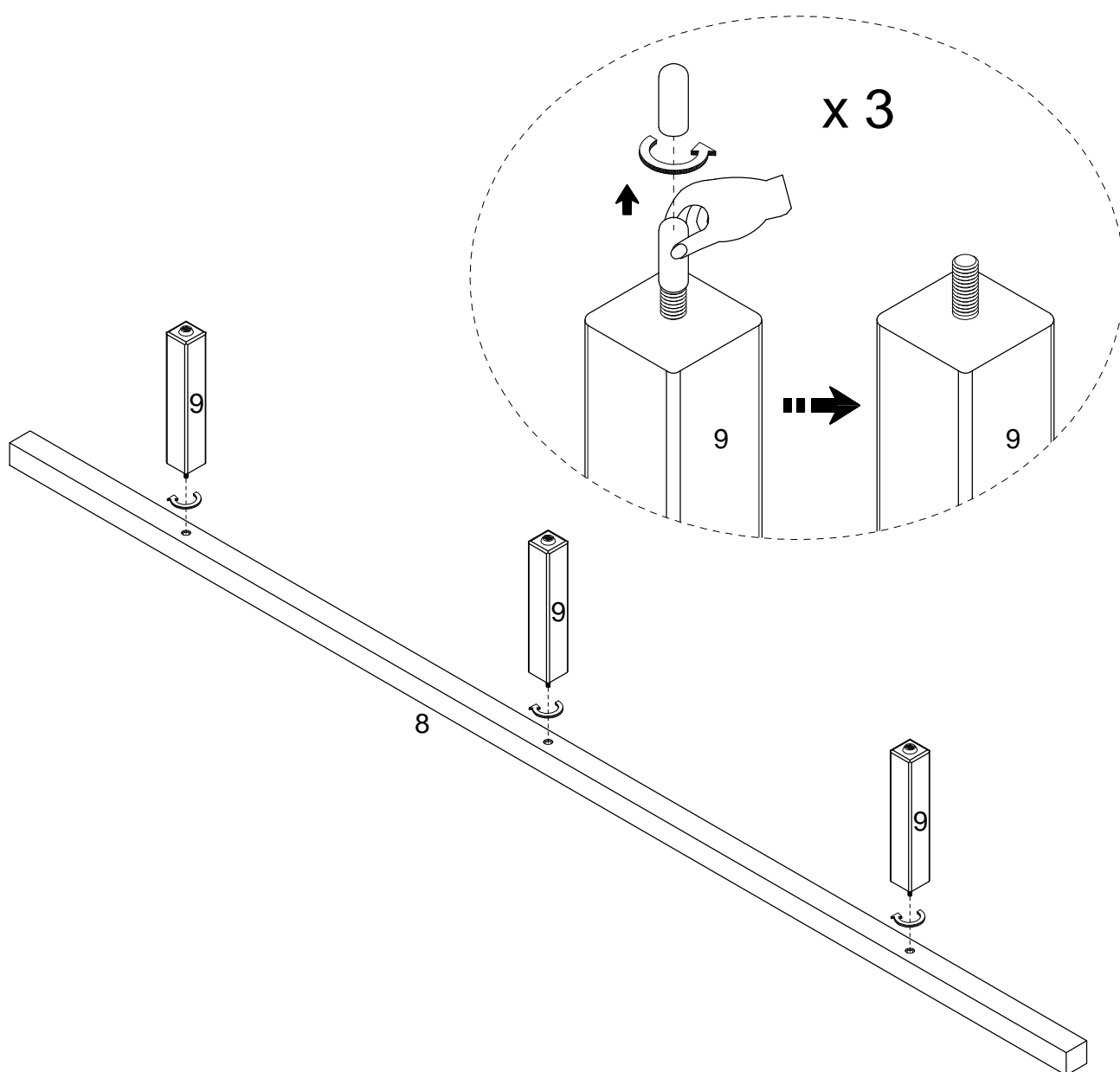
# Step 11

Attach the Bottom rail (7) to the Side rails (5 & 6) by lifting the hooks into the slots and then locking them down into place.



# Step 12

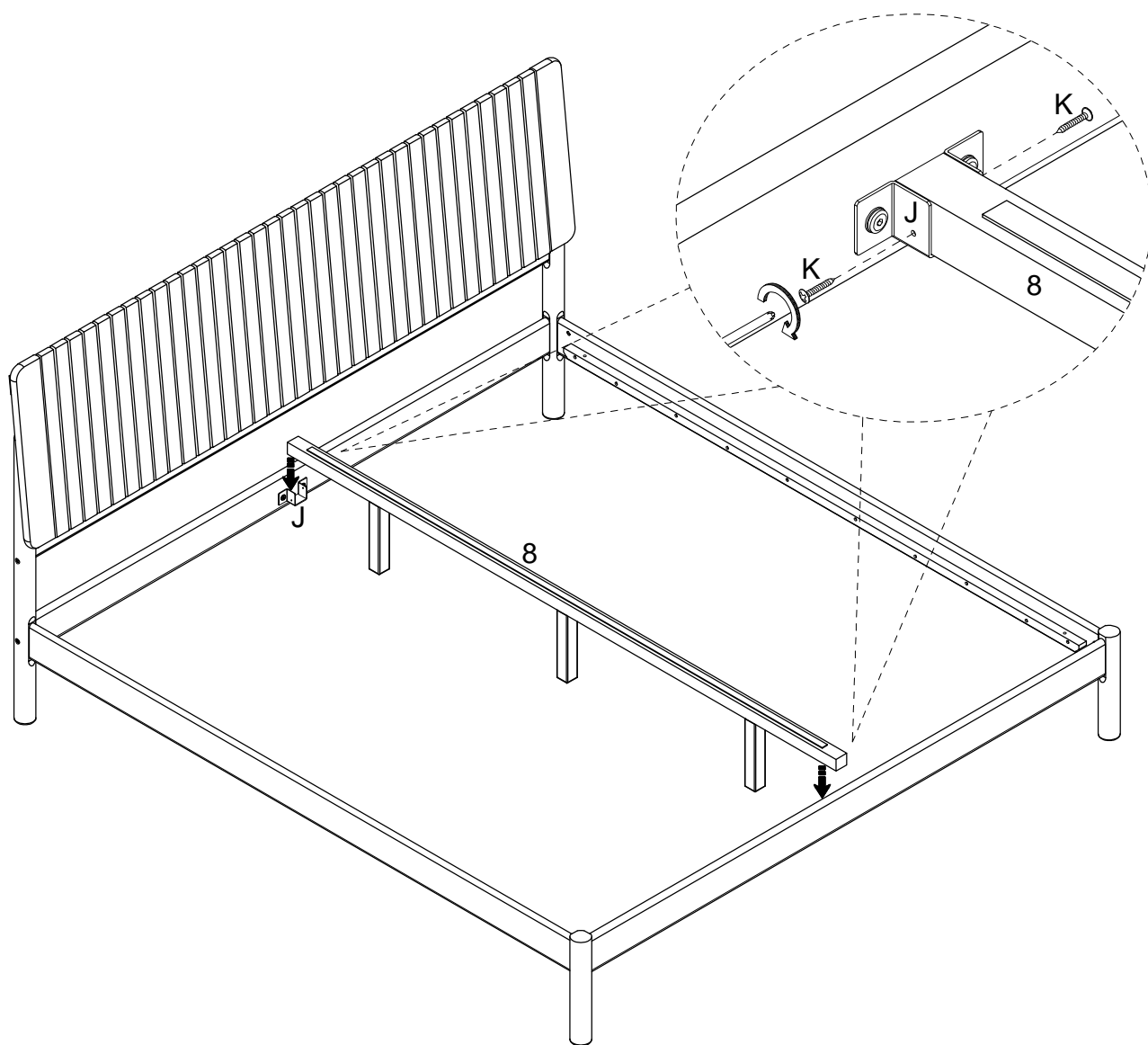
We are getting close! Twist off the plastic caps on the Middle Support Legs (9) and then screw them into the Center Support Rail (8).





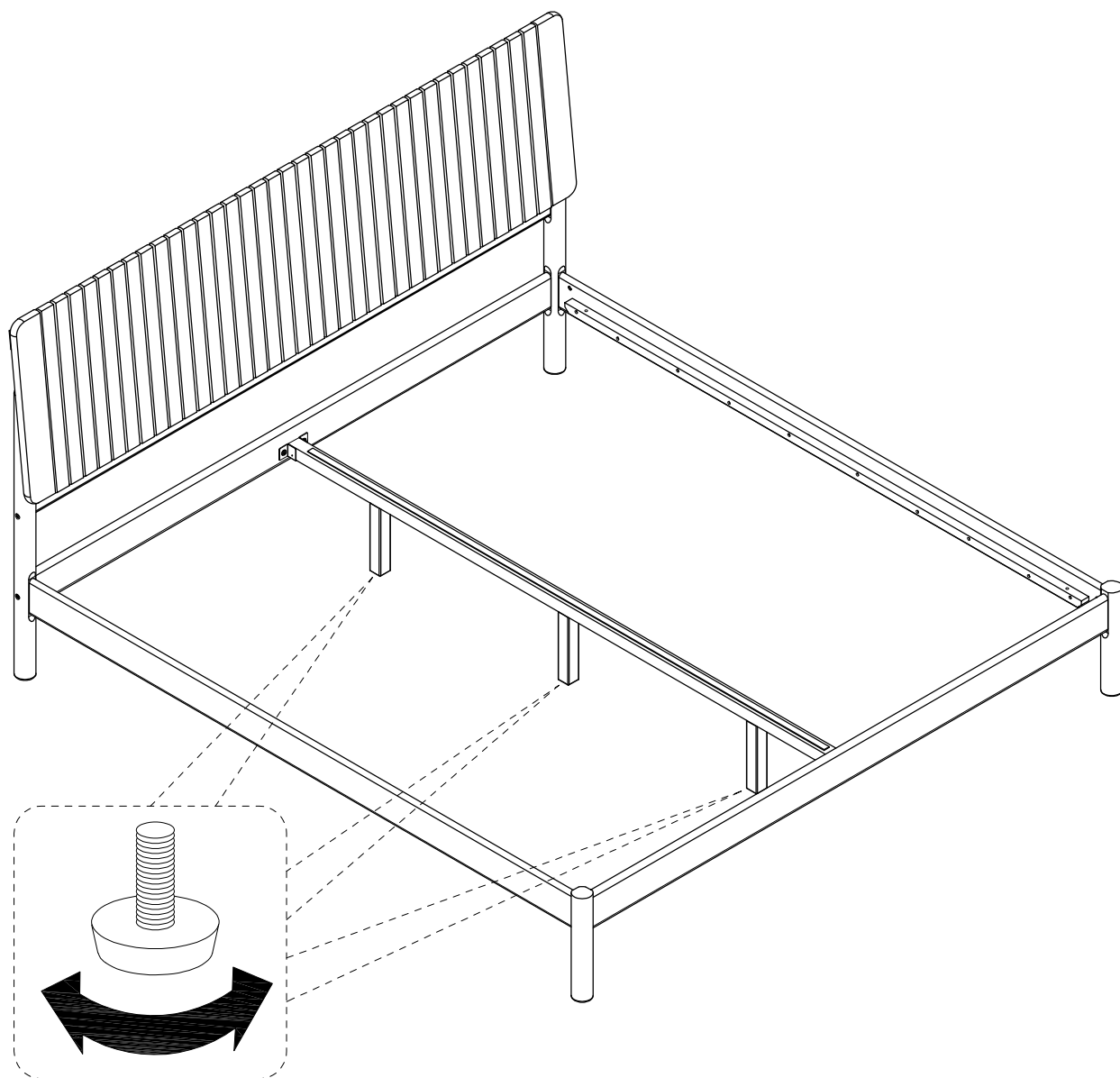
# Step 13

Place the Center Support Rail (8) into the U brackets (J) and secure it through the sides with the screws (K).



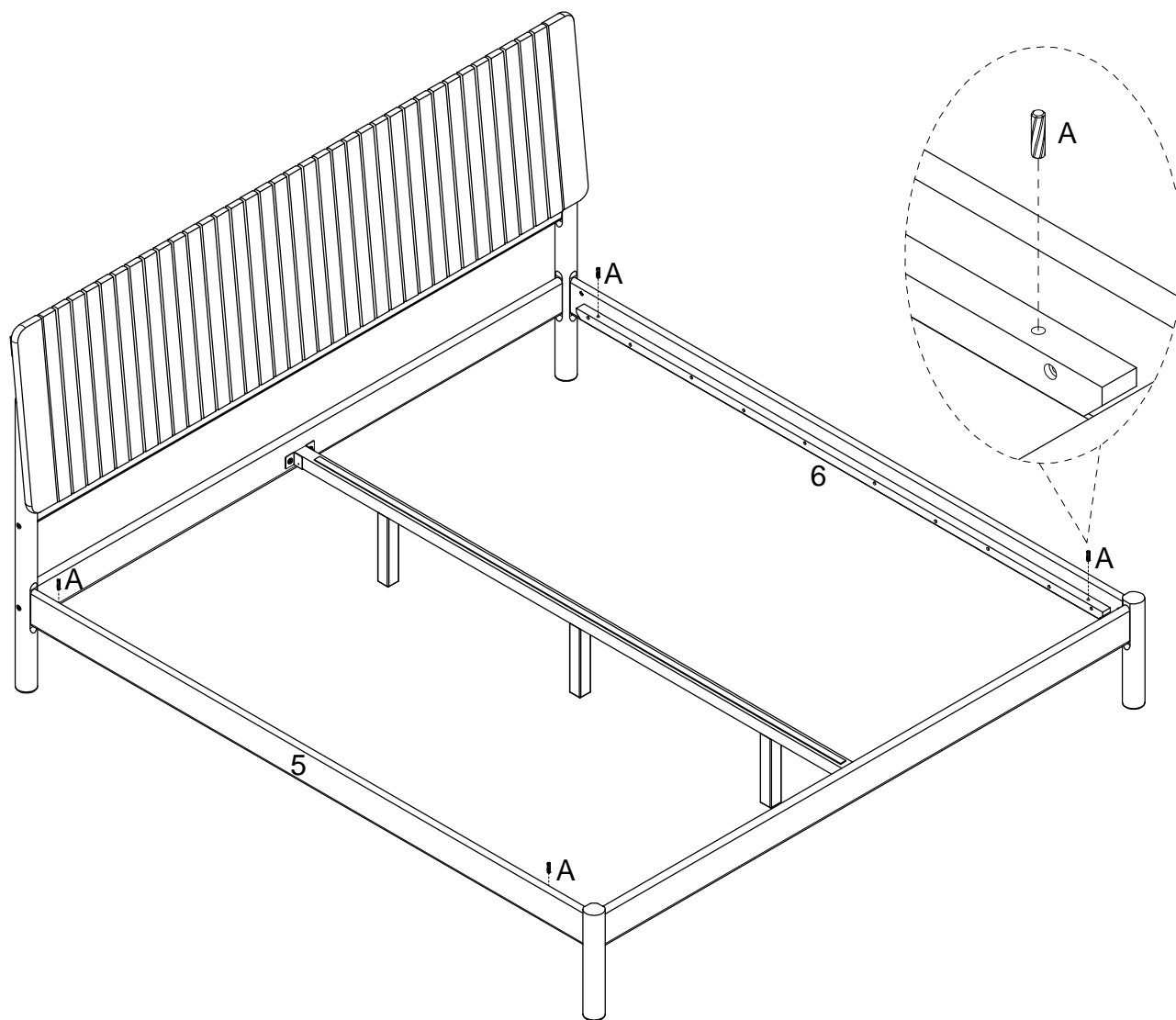
# Step 14

Now's the time to make any adjustments to the levelers on the bottoms of the Middle Support Legs (9) before we lay the slats down.



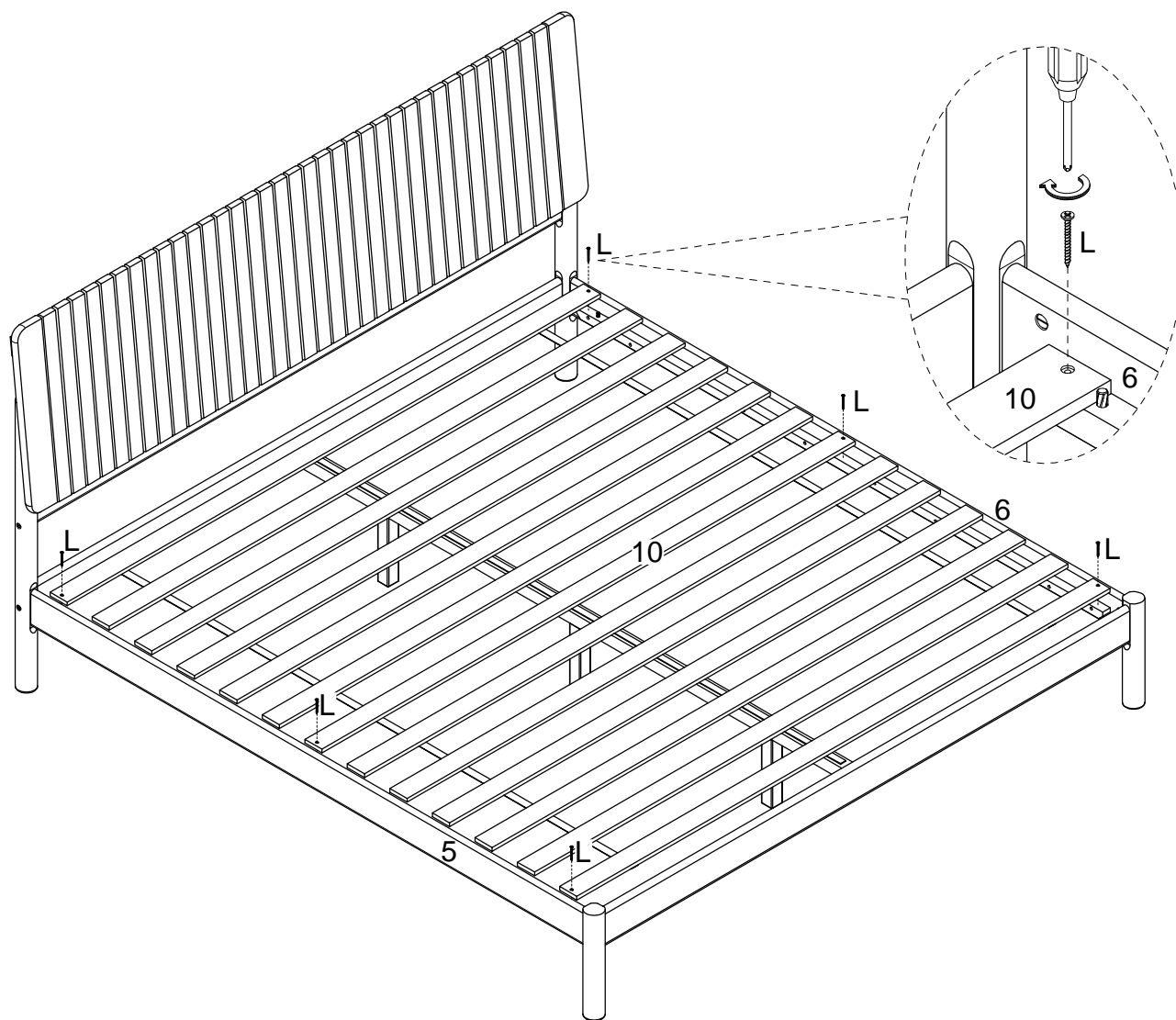
# Step 15

Add the remaining Wooden dowels (A) into the ends inside slat supports of the Side Rails (5 & 6). (This will help when aligning the slats!)

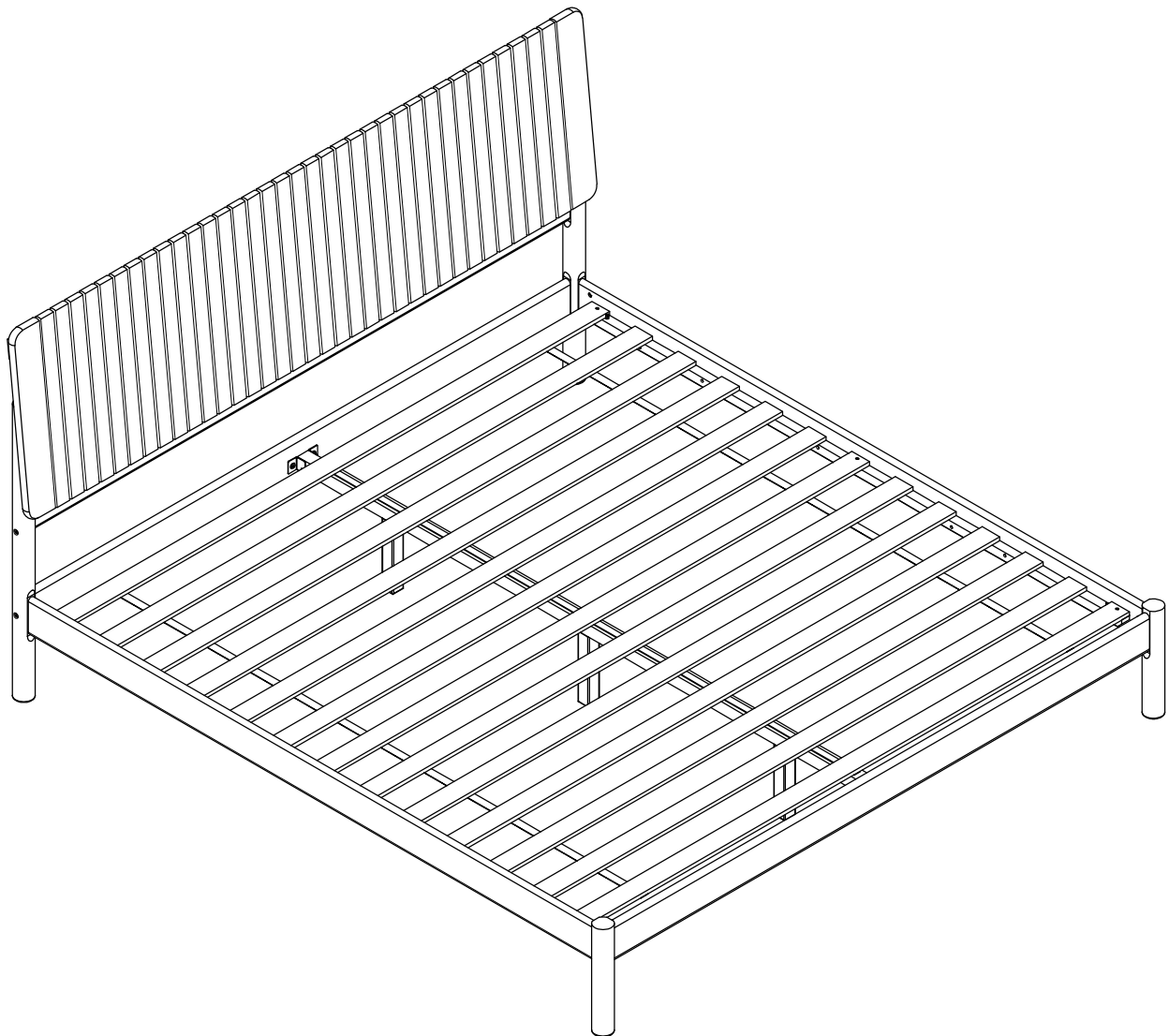


# Step 16

Last step! Lay down the Bed Slats (10) and screw them into place with the six screws (L).



# Final Assembly



**Congratulations on your new piece of furniture!**

We would love to hear about it and see it.  
Please leave us a review or post a picture with  
**#mywalkerredisonhome**

# Assembling furniture can be tricky sometimes.

Our customer service team, located in Utah, is here for product information, help assembling a product, or for any other customer support issue

Call us at **801-433-3008**

Email us at [service@walkeredison.com](mailto:service@walkeredison.com)

Visit our Customer Service website at  
[walkeredison.com/pages/customer-service](http://walkeredison.com/pages/customer-service)

We are available to help Monday -Thursday 8am-5pm, Friday  
8am-3pm MST

For details on Assembly Videos, Assembly Instructions,  
Replacement Parts, and Customer service,  
**SCAN HERE**

