



Model: WS SB FOR SAVANT ITP-E8000 8" SCREEN

Family: WALL-SMART

DWG NO. 10-04-437-SPC



Model No.: 10-01-437

PRODUCT SPEC.

REVISION A

DATE 10/NOV./2017

### Make Your Wall Smart

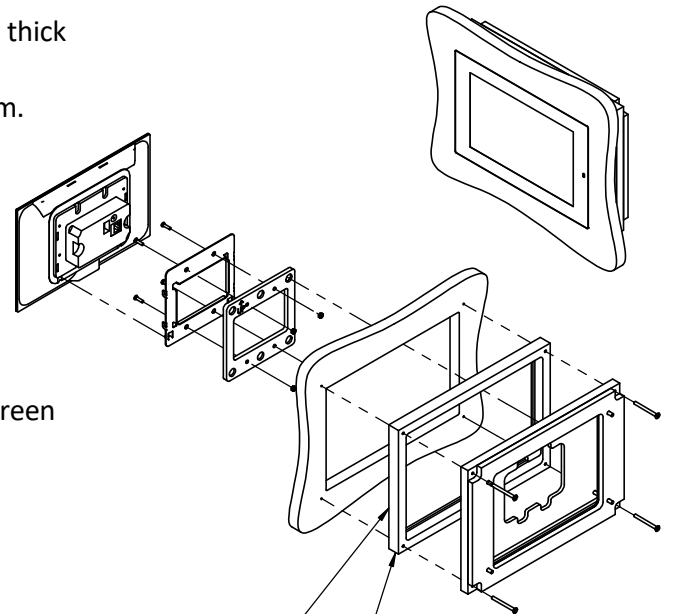
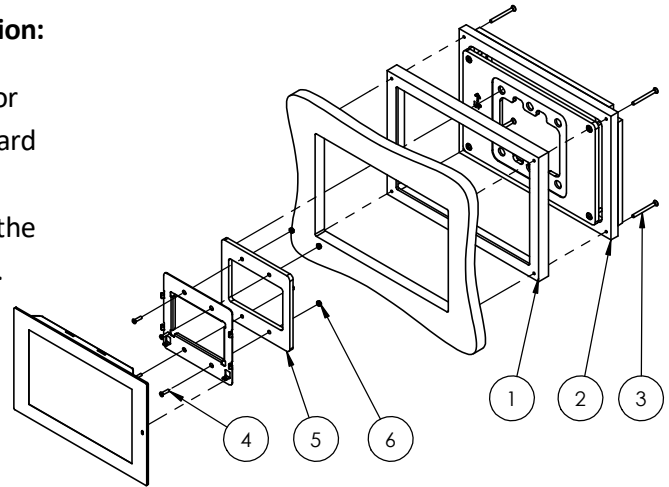
#### “WS SB FOR SAVANT ITP-E8000 8" SCREEN” - Product description:

The “WS SB FOR SAVANT ITP-E8000 8" SCREEN” is an adapter for in-wall flush installation of a ITP-E8000 touch screen in solid board walls.

The “WS SB FOR SAVANT ITP-E8000 8" SCREEN” firmly mounts the touch screen while allowing easy access, insertion and removal.

#### Key features and benefits:

- Flush with the wall.
- Allows easy insertion and removal of the touch screen by manual push and magnet detachment.
- Designed to be installed in 6.2 ~ 41.2mm (0.244" ~ 1.62") thick solid boards.
- Installation adapter contains depth adjustment mechanism.
- Installation kit contain:
  - X1 routing template (item #1)
  - X1 installation adapter (item #2)
  - X4 ST3x40 screws (item #3)
  - X4 M4x10 screws (item #4)
  - X1 touch screen adapter (item #5)
  - X4 M4 nuts (item #6)
- Designed for ITP-E8000 touch screen (by Savant) (Touch screen not included).

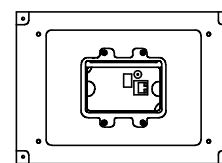
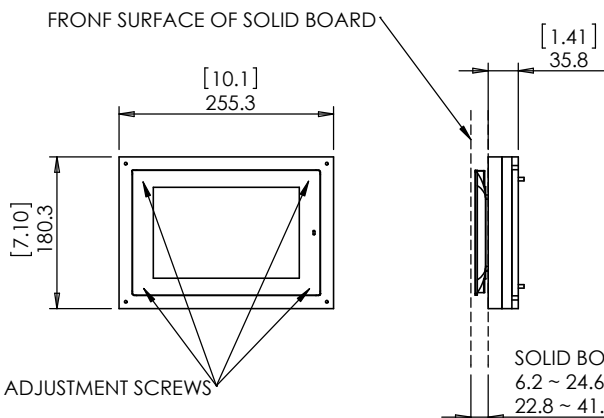


ROUTING TEMPLATE

FOR INSTALLATION IN BOARDS 9.1mm TO 25.1mm THICK  
USE ROUTING TEMPLATE AS INSTALLATION SPACER

#### Key properties:

- Dimensions (W/H/D): 255.3mm (10.1")/ 180.3mm (7.1")/ 35.8mm (1.41")
- Power Supply: None (manual adapter).
- Weight: 0.62Kg, 1.4lbs.
- Material: Moisture resistant MDF



PUSH TO OPEN



Model: WS SB FOR SAVANT ITP-E8000 8" SCREEN

Family: WALL-SMART

DWG NO. 10-04-437-SPC

Model No.: 10-01-437

PRODUCT SPEC.

REVISION A

DATE 10/NOV./2017

