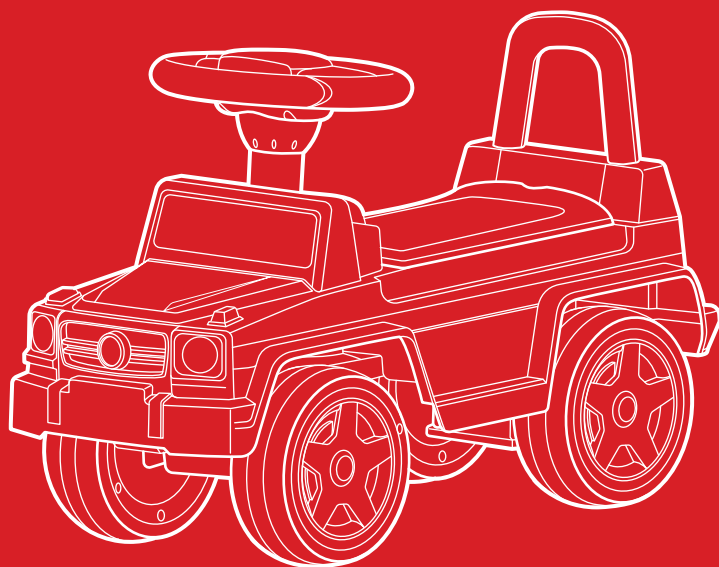




bestchoiceproducts



# INSTRUCTION MANUAL

---

Mercedes G63 Push Car  
Ride-On

## NOTICE

Please retain these instructions for future reference.

- Toy must be assembled by an adult.
- Immediately dispose of all bags and packaging to avoid suffocation.
- Do not operate vehicle in the dark; only operate in the daytime or a well-lit area.
- To reduce the risk of injury, adult supervision is required at all times.
- Protective equipment, such as wrist guards, kneepads, and a helmet, should be worn by children.
- If any parts are missing, broken, damaged, or worn, stop using this product until repairs are made and/or factory replacement parts are installed.
- Do not use this item in a way inconsistent with the manufacturer's instructions as this could void the product warranty.

## WARNING

To reduce the risk of injury, adult supervision is required. Never use on roadways, near motor vehicles, on or near steep inclines or steps, swimming pools or other bodies of water; always wear shoes, and never allow more than one child in the vehicle at a time.

- Only one rider is allowed on the vehicle at a time.
- Never leave a child unattended.
- Be aware that this toy has no brake.
- Always sit in the seat when using this vehicle.
- Keep your hands, hair, and clothes away from moving parts.
- Children under 1 years of age cannot use the vehicle.
- Only drive on level ground.
- Do not drive the vehicle into loose dirt, mud, sand, fine gravel, or on wet surfaces.

**AGE RANGE:** 1 to 3 years old

**WEIGHT CAPACITY:** 40 lbs.

## BATTERY WARNINGS

The following safety hazards may result in serious injury or death:

- Use of a battery or charger other than the supplied rechargeable battery and charger may cause a fire or explosion. Only use the supplied battery and charger.
- Use of the rechargeable battery and charger for any other product may result in overheating, fire, or explosion. Never use the supplied rechargeable battery and charger with another product.
- Explosive gases are created during charging. Charge the battery in a well-ventilated area. Do not charge the battery near heat or flammable materials.
- Contact between the positive and negative terminals may result in fire or explosion. Avoid direct contact between the terminals. Picking up the battery by the wires or charger can cause damage to the battery and may result in a fire. Always pick up the battery by its case or handles.
- Liquids on the battery may cause fire or electric shock. Always keep all liquids away from the battery and keep the battery dry. Contact or exposure to battery leakage (lead acid) may cause serious injury. If contact or exposure occurs immediately call your physician. If the chemical is on the skin or in the eyes, flush with cool water for 15 minutes. If the chemical was swallowed, immediately give the person water or milk. Do not give water or milk if the patient is vomiting or has a decreased level of alertness. Do not induce vomiting.
- Battery posts, terminals, and related accessories contain lead and lead compounds (acid) – chemicals known to the State of California to cause cancer, reproductive harm, and are toxic and corrosive. Never open the battery.
- Tampering or modifying the electric circuit system may cause a shock, fire or explosion and permanently damage the system. Exposed wiring and circuitry in the charger may cause electric shock. Always keep the charger housing closed.

## TOOLS REQUIRED



PHILLIPS  
SCREWDRIVER



6 AA BATTERIES



40 LBS  
CAPACITY



1 PERSON  
ASSEMBLY



APPROXIMATELY  
20 MIN.  
ASSEMBLY

## HARDWARE

1

M10 WASHER



1 PC

2

PIN



1 PC

## PARTS

A

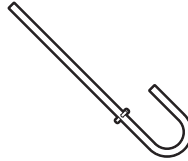
STEERING WHEEL



1 PC

B

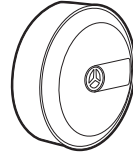
STEERING COLUMN



1 PC

C

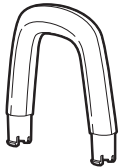
SPARE WHEEL



1 PC

D

BACKREST



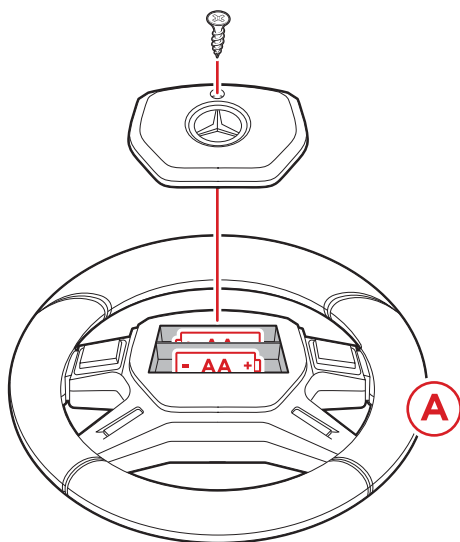
1 PC

## PRODUCT ASSEMBLY

1

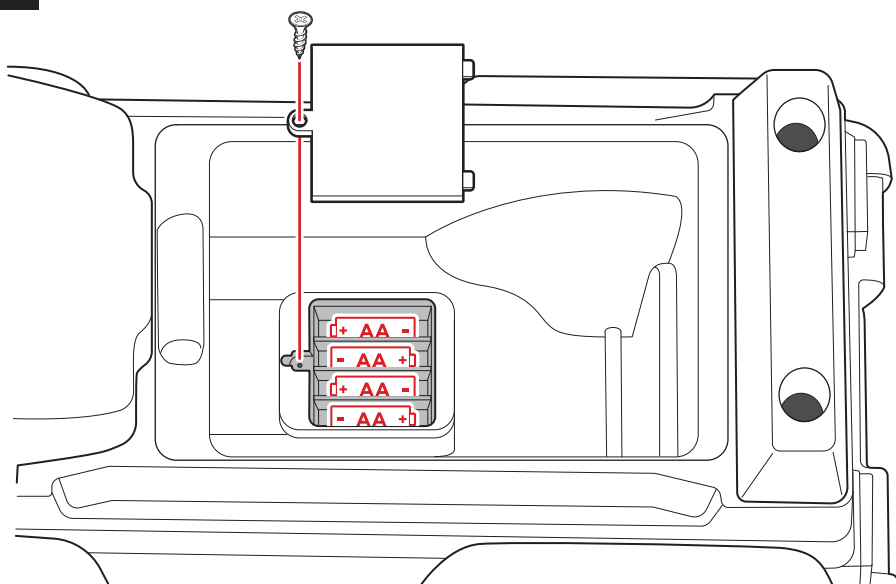
Remove all parts and packaging from within the vehicle body.

Remove the battery cover from the part A steering wheel and install two AA batteries.



2

Within the seat, remove the battery cover and install four AA batteries

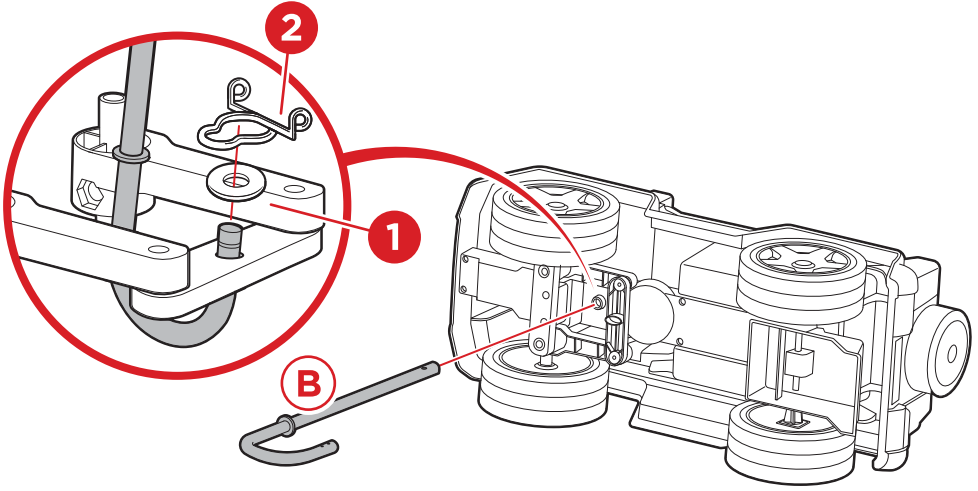


## PRODUCT ASSEMBLY

**3**

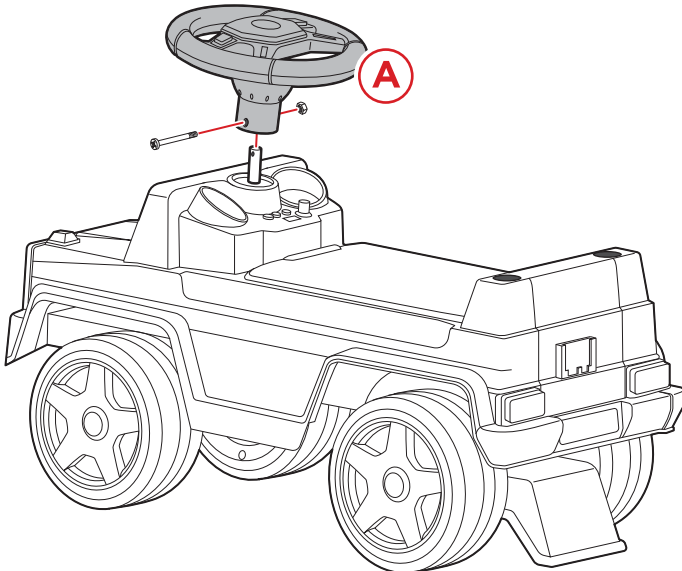
Carefully flip the vehicle on its side. Slide the part B steering column through the car and into the steering wheel mount.

Insert the hooked end of the steering column into the front axle, slide on the part 1 washer, and secure it with the part 2 pin.



**4**

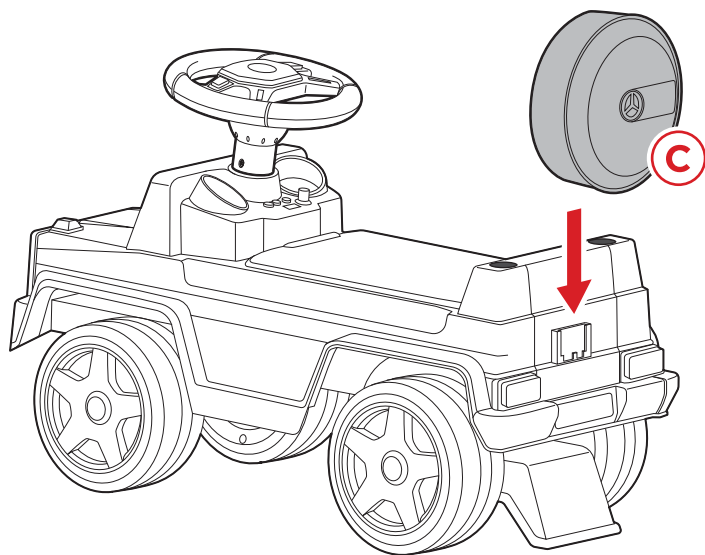
Remove the nut and bolt from the part A steering wheel, slide it onto the steering column, and replace the nut and bolt to secure the steering wheel.



## PRODUCT ASSEMBLY

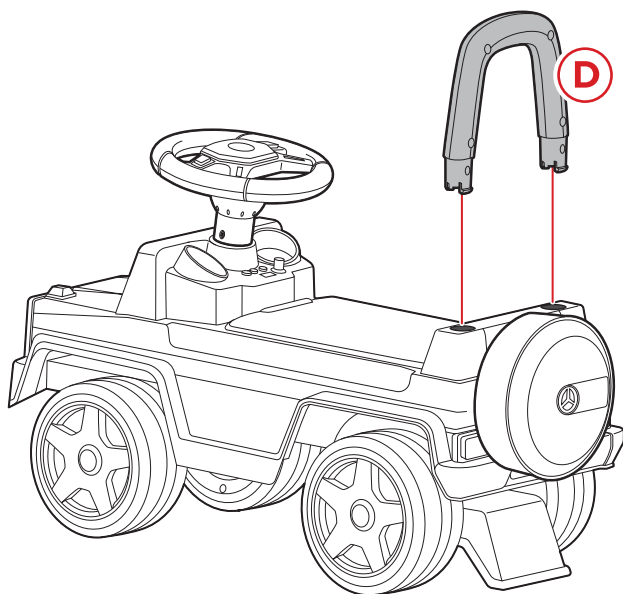
5

Snap on the part C spare wheel.



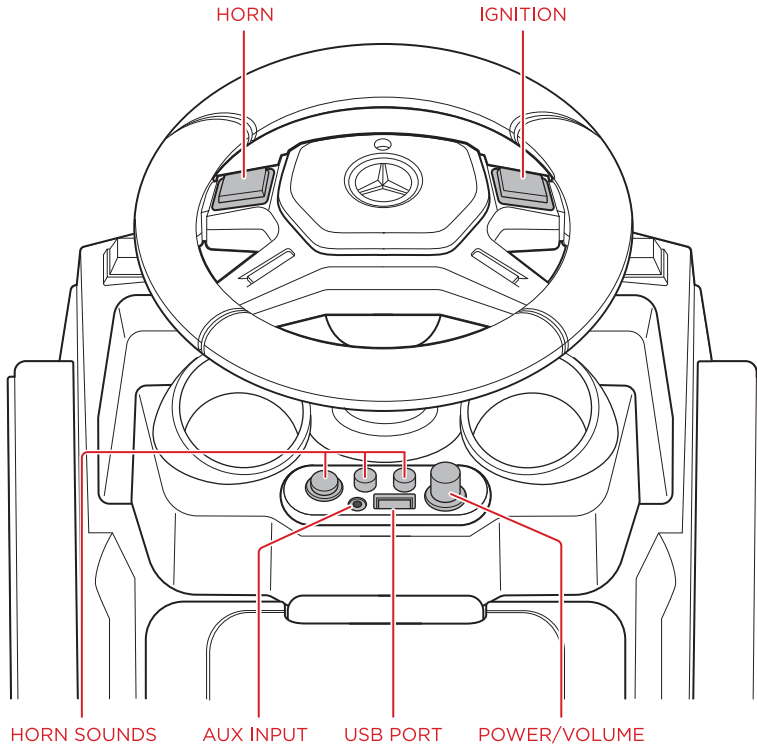
6

Insert the part D backrest.



## DASHBOARD DIAGRAM

- **Power/Volume:** Turn knob clockwise to power on and increase volume
- **AUX Input:** Plug in a music player to play music
- **USB Port:** Play music from a USB drive (MP3 format only)



## CARING FOR YOUR RIDE-ON

- Occasionally use a light oil to lubricate moving parts (wheels, etc.).
- Park the vehicle indoors or cover it with a tarp to protect it from wet weather.
- Do not leave the vehicle in the sun for long periods of time or fading may occur. Store in shade or cover with tarp.
- Do not wash the vehicle with a hose.
- Do not wash the vehicle with soap.
- Clean vehicle with a soft, dry cloth.



# HELP CENTER



Question about your product? We're here to help. Visit us at:

[help.bestchoiceproducts.com](http://help.bestchoiceproducts.com)



Chat Support



Product Inquiry



Orders FAQ



Product Assembly



Returns & Refunds

## PRODUCT WARRANTY INFORMATION

All items can be returned for any reason within 60 days of the receipt and will receive a full refund as long as the item is returned in its original product packaging and all accessories from its original shipment are included. All returned items will receive a full refund back to the original payment method. All returned items will not be charged a re-stocking fee.

All returned items require an RA (Return Authorization) number, which can only be provided by a Best Choice Products Customer Service Representative when the return request is submitted. Items received without an RA may not be accepted or may increase your return processing time. Once an item has been received by Best Choice Products, refunds or replacements will be processed within 5 business days.

All returns must be shipped back to the Best Choice Products Return Center at the customer's expense. If the reason for return is a result of an error by Best Choice Products then Best Choice Products will provide a pre-paid shipping label via email. Boxes for return shipping will not be provided by Best Choice Products, and is the customer's responsibility to either use the original shipping boxes or purchase new boxes.

Pictures may be required for some returns to ensure an item is not damaged prior to its return. Items returned are not considered undamaged until they are received by Best Choice Products and verified as such. All damages to items are the customer's responsibility until the item has been received by and acknowledge by Best Choice Products as undamaged.

## WARNING

Manufacturer and seller expressly disclaim any and all liability for personal injury, property damage or loss, whether direct, indirect, or incidental, resulting from the incorrect attachment, improper use, inadequate maintenance, or neglect of this product.