

DESCRIPTION

The CC Series offers quality and value with a compact and attractive LED based combination emergency exit. The white or black housing and lamp-heads are made of high impact UL flame rated thermoplastic. Snap together canopy, housing and removable chevrons for quick and easy installation. Universal single or double-face. Remote capacity unit will run a double-head remote or 2 single-head remotes of either the Compass CIR or COR Series.



APPLICATION

The CC Series can be applied in stair-wells, hallways, offices and other commercial applications.

FEATURES

- LED life-cycle of more than 10 years
- Molded-in template for Quick installation
- Dual-voltage 120 or 277V AC input
- Includes long-life Nickel Cadmium (NiCad) or Nickel Metal Hydride (NiMh) battery for UL recognized 90 minute emergency lighting
- Remote capacity or extended runtime option
- Damp Location Listed 20°C to 30°C (68°F to 86°F)
- Provided with test switch and AC-On indicator
- Lamp-heads are fully adjustable
- Canopy included
- Remote Capacity (RC) models have a minimum runtime of 120 minutes when no remotes are installed

WARRANTY

2 year full unit warranty

STANDARDS, CERTIFICATION, AND COMPLIANCE

- UL924 Listed for Damp Location
- NFPA 101 and NFPA 70
- OSHA

SELF-DIAGNOSTIC FEATURES

- Fault identification for battery, charger, LED integral lamps and remotes
- Self-Testing monthly and annual for 90 minutes
- Manual testing for 30 second, 15 minute and 90 minutes

ENERGY CONSUMPTION

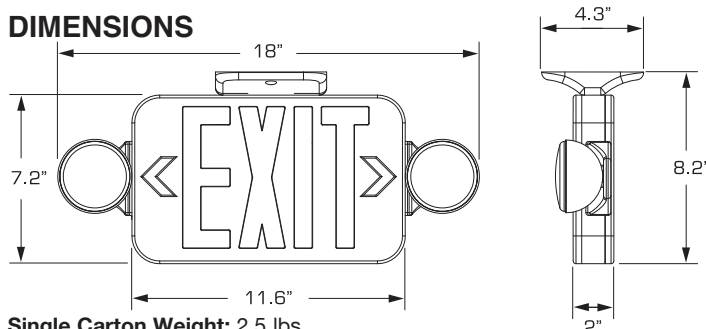
	120 VAC	277 VAC
CCR	4.12 W	3.20 W
CCG	3.22 W	3.18 W
CCRRC	4.00 W	4.06 W
CCGRC	4.10 W	4.28 W

ORDERING GUIDE

Catalog Number	Description
CCR	White Finish, Combination Exit/Emergency Light, Universal Face, Red Letters, NiCad Battery, CEC T20 Compliant
CCRB	Black Finish, Combination Exit/Emergency Light, Universal Face, Red Letters, NiCad Battery, CEC T20 Compliant
CCG	White Finish, Combination Exit/Emergency Light, Universal Face, Green Letters, NiCad Battery, CEC T20 Compliant
CCGB	Black Finish, Combination Exit/Emergency Light, Universal Face, Green Letters, NiCad Battery, CEC T20 Compliant
CCRRC	White Finish, Combination Exit/Emergency Light, Universal Face, Red Letters, Remote Capacity, NiMh Batt., CEC T20 Compliant
CCRRCB	Black Finish, Combination Exit/Emergency Light, Universal Face, Red Letters, Remote Capacity, NiMh Batt., CEC T20 Compliant
CCGRC	White Finish, Combination Exit/Emergency Light, Universal Face, Green Letters, Remote Capacity, NiMh Batt., CEC T20 Compliant
CCRS	White Finish, Combination Exit/Emergency Light, Universal Face, Red Letters, Self-Test/Self-Diagnostics, NiCad Battery, CEC T20 Compliant
CCGS	White Finish, Combination Exit/Emergency Light, Universal Face, Green Letters, Self-Test/Self-Diagnostics, NiCad Battery, CEC T20 Compliant
CCRRCSD	White Finish, Combination Exit/Emergency Light, Universal Face, Red Letters, Self-Test/Self-Diagnostics, NiMh Batt., Remote Capacity, CEC T20 Compliant
CCGRCS	White Finish, Combination Exit/Emergency Light, Universal Face, Green Letters, Self-Test/Self-Diagnostics, NiMh Batt., Remote Capacity, CEC T20 Compliant

Note: Remote Capacity Unit will only power the Compass Indoor and Outdoor Remote(CIR and COR Series)

DIMENSIONS



Single Carton Weight: 2.5 lbs.
Master Carton Quantity: 6 each

ACCESSORIES

- WGEL Wireguard - 8" H X 20" W X 8" D
- CIR Series - Matching LED Indoor Remote Heads
- COR Series - Matching LED Outdoor Remote Heads

