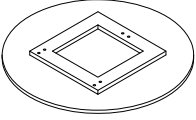
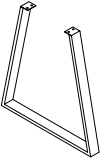
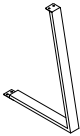
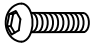



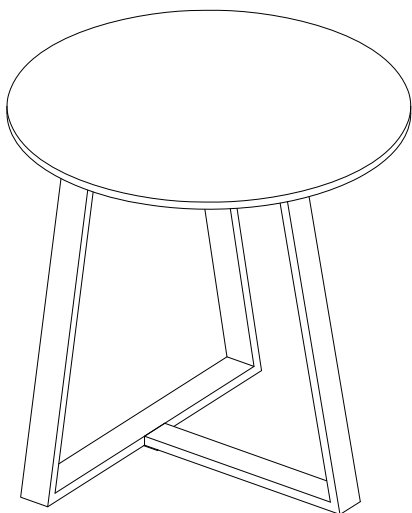


ASSEMBLY INSTRUCTIONS

END TABLE

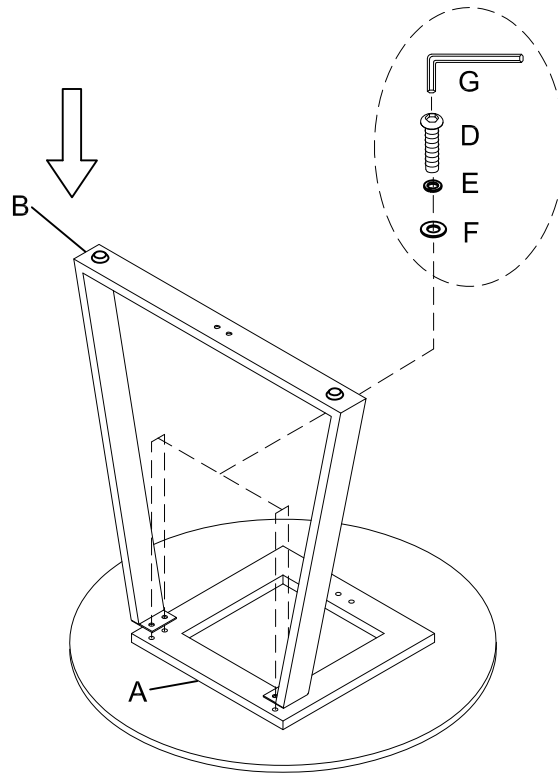
A Table Top	B U Leg	C L Leg	D Bolt 1/4" x 1/2"
			
1 PC	1 PC	1 PC	8 PCS
E Spring Washer 1/4"	F Flat Washer 1/4" x 3/4"	G Allen Key M4	
			
8 PCS	8 PCS	1 PC	



This page lists all the contents included in the box. Please take the time to identify the hardware as well as the individual components to this product. As you unpack and prepare for assembly, place the contents on a carpeted or padded area to protect them from damage.

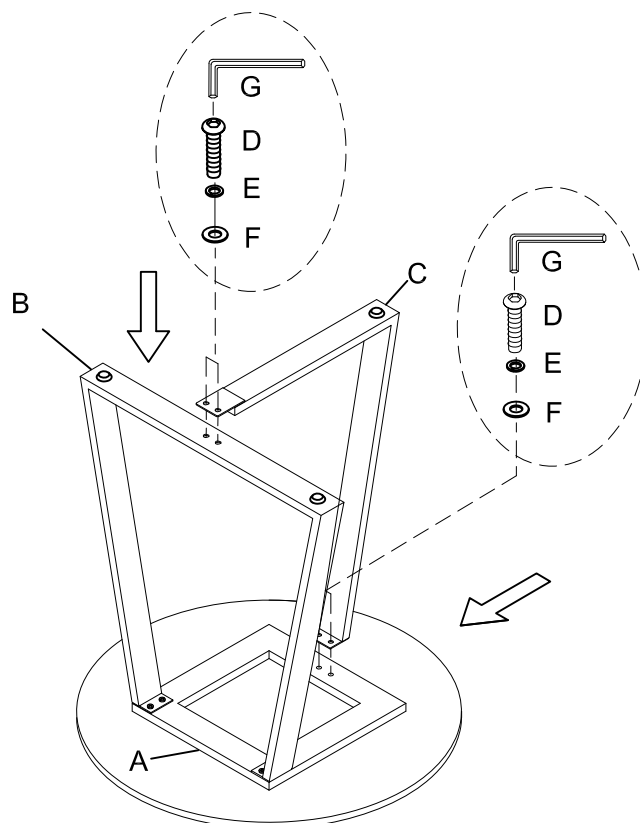
- 1** Attach the U Leg (B) to the Table Top (A) using Bolt (D), Spring Washer (E) and Flat Washer (F) with the Allen Key (G).

Note: Do not fully tighten all the bolts at this step.

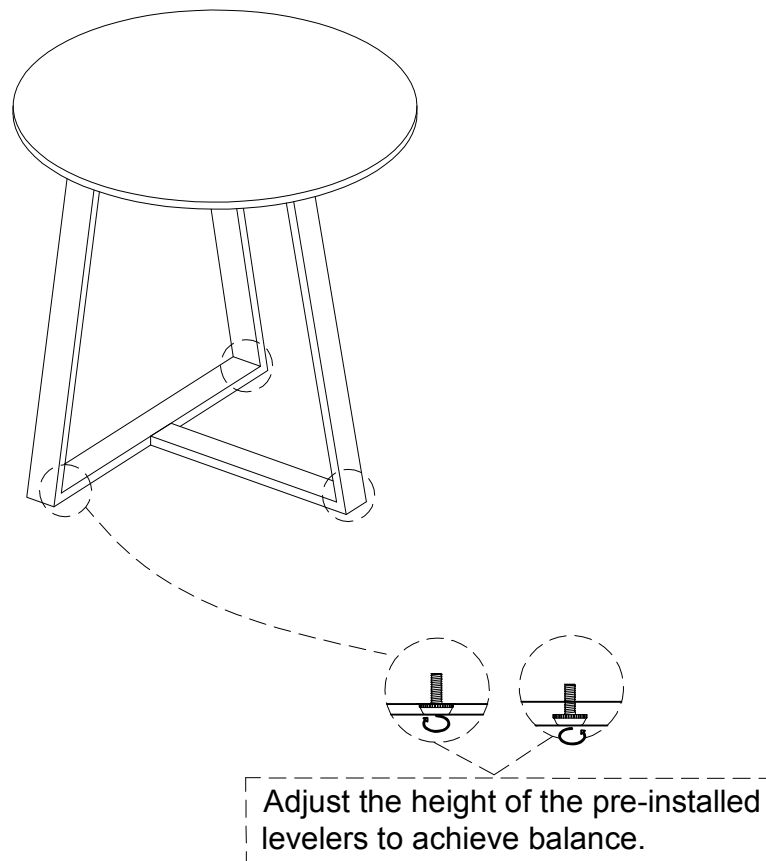


- 2** Attach the L Leg (C) to the Table Top (A) and the U Leg (B) using Bolt (D), Spring Washer (E) and Flat Washer (F) with the Allen Key (G).

Note: Fully tighten all the bolts at this step.



-
- 3** With the assistance of your adult partners, carefully stand the table upright. If the table wobbles slightly, adjust the pre-installed levelers on the bottom of the legs until the table is stabilized.

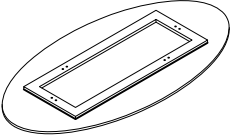
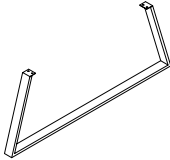

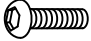





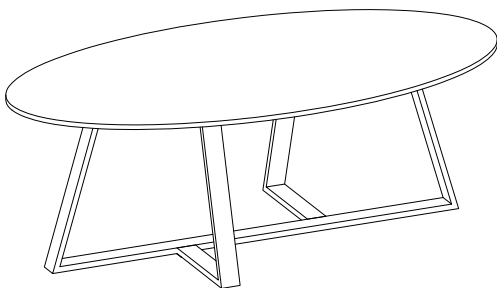
Cleaning & Care

Treat surfaces with care. Surfaces are resistant to scratches but are not scratch resistant. Clean surfaces with a dry or damp soft cloth. Do not use abrasive cleaners. Hardware may loosen over time. Periodically check that all connections are tight.

ASSEMBLY INSTRUCTIONS

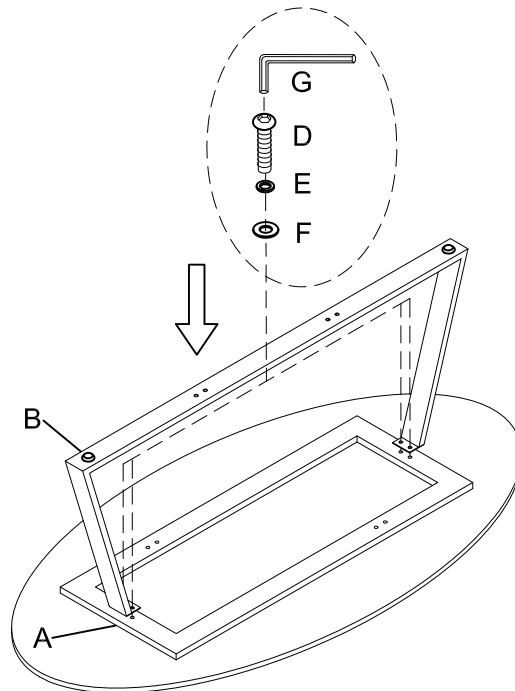
COFFEE TABLE

A Table Top	B U Leg	C L Leg	D Bolt 1/4" x 1/2"
			
1 PC	1 PC	2 PCS	12 PCS
E Spring Washer 1/4"	F Flat Washer 1/4" x 3/4"	G Allen Key M4	
			
12 PCS	12 PCS	1 PC	

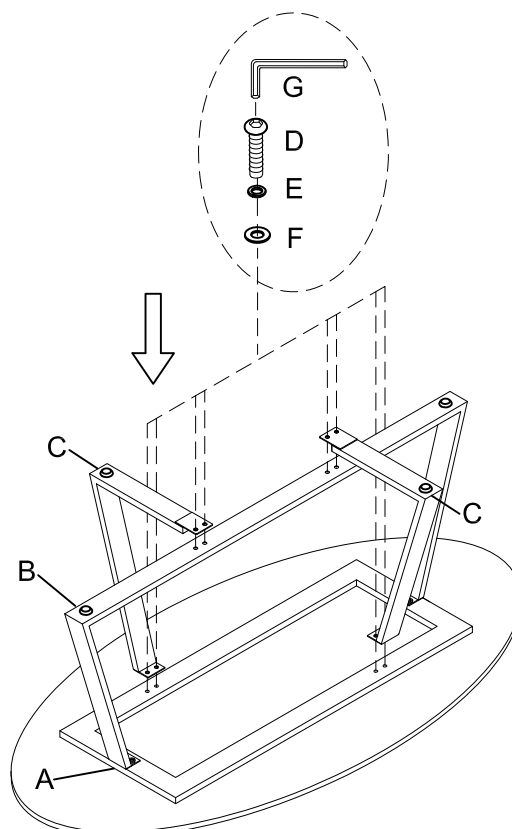


This page lists all the contents included in the box. Please take the time to identify the hardware as well as the individual components to this product. As you unpack and prepare for assembly, place the contents on a carpeted or padded area to protect them from damage.

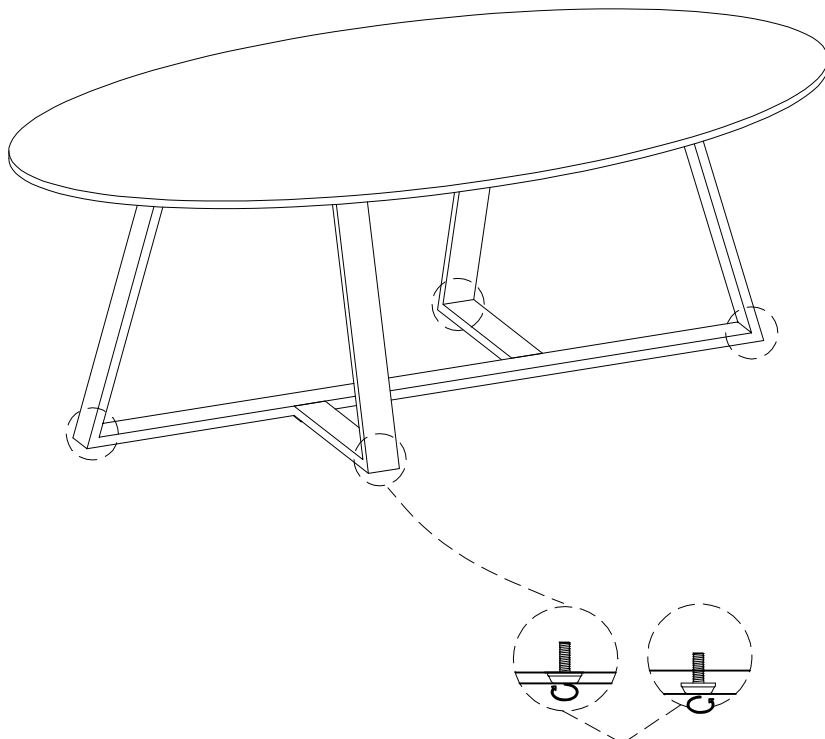
- 1** Attach the U Leg (B) to the Table Top (A) using Bolt (D), Spring Washer (E) and Flat Washer (F) with the Allen Key (G).
Note: Do not fully tighten all the bolts at this step.



- 2** Attach the L Leg (C) to the Table Top (A) and the U Leg (B) using Bolt (D), Spring Washer (E) and Flat Washer (F) with the Allen Key (G).
Note: Fully tighten all the bolts at this step.



-
- 3** With the assistance of your adult partners, carefully stand the table upright. If the table wobbles slightly, adjust the pre-installed levelers on the bottom of the legs until the table is stabilized.



Adjust the height of the pre-installed levelers to achieve balance.

Cleaning & Care

Treat surfaces with care. Surfaces are resistant to scratches but are not scratch resistant. Clean surfaces with a dry or damp soft cloth. Do not use abrasive cleaners. Hardware may loosen over time. Periodically check that all connections are tight.