

Features

- Two Lever handles offer separate control of hot and cold water
- 7-7/16" (189 mm) spout reach
- 10.0 gpm (37.9 lpm) maximum flow rate at 45 psi (3.1 bar)
- Coordinates with products in the Hint® collection

Material

- Premium metal construction for durability and reliability
- KOHLER finishes resist corrosion and tarnishing

Installation

- Three-hole
- Deck-mount
- Trim only; requires valve to complete installation (sold separately)

Required Products/Accessories

K-300-K 1/2" ceramic high-flow valve system

or

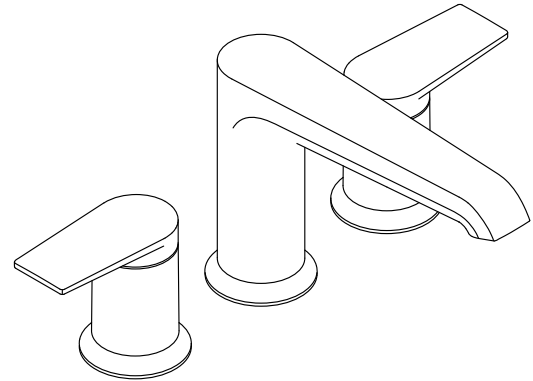
K-300-KR 1/2" ceramic high-flow valve

or

K-301-K 3/4" high-flow bath valve

Recommended Products/Accessories

K-23726 Drain treatment



ADA

CSA B651

OBC

Codes/Standards

ASME A112.18.1/CSA B125.1

ADA

ICC/ANSI A117.1

CSA B651





OBC

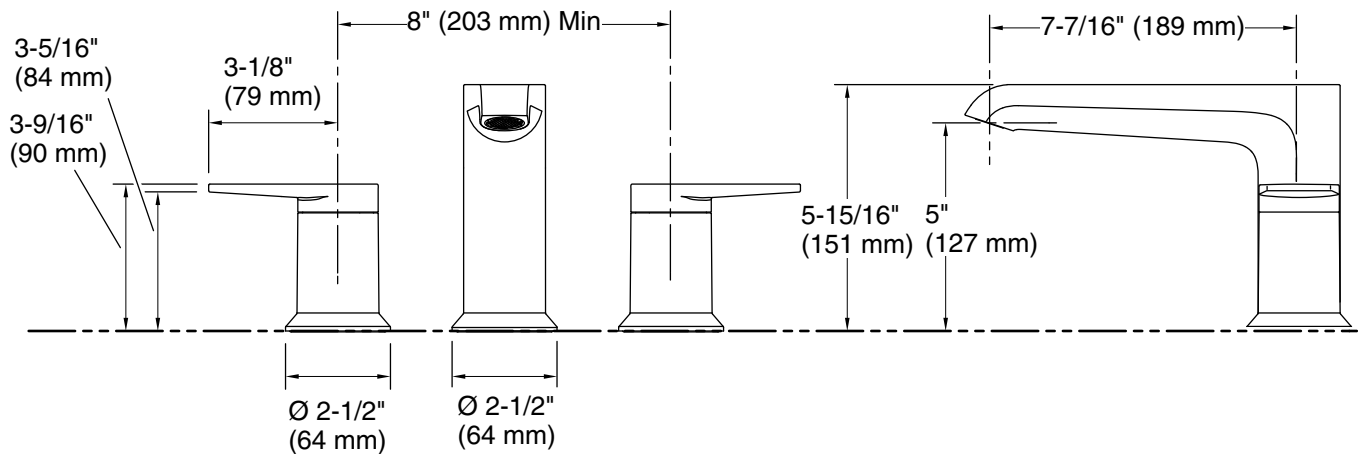
KOHLER® Faucet Lifetime Limited Warranty

See website for detailed warranty information.

Available Colors/Finishes

Color tiles intended for reference only.

Color	Code	Description
	CP	Polished Chrome
	BN	Vibrant® Brushed Nickel
	BL	Matte Black
	2MB	Vibrant® Brushed Moderne Brass



Technical Information

All product dimensions are nominal.

Faucet flow rate: 10 gal/min (37.9 l/min)

Spout:

Spout reach: 7-7/16" (189 mm)

Notes

Install this product according to the installation instructions.

ADA, OBC, CSA B651 compliant when installed to the specific requirements of these regulations.