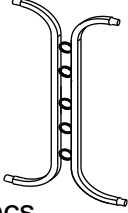
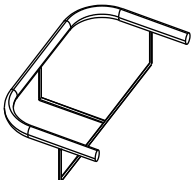
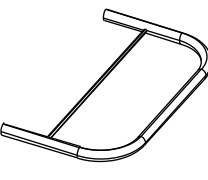
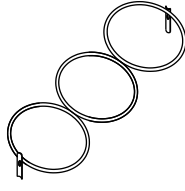
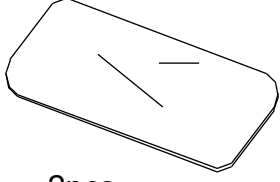
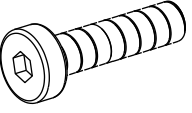
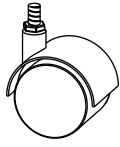
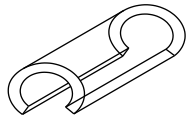
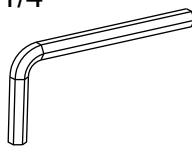
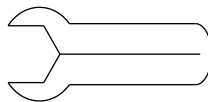
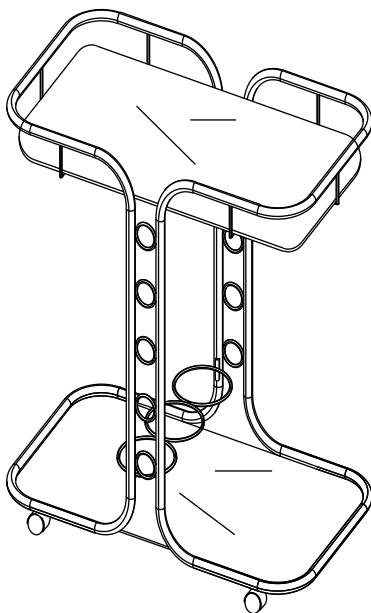


ASSEMBLY INSTRUCTION

E687-07 BAR CART WITH MIRROR BOTTOM AND TOP

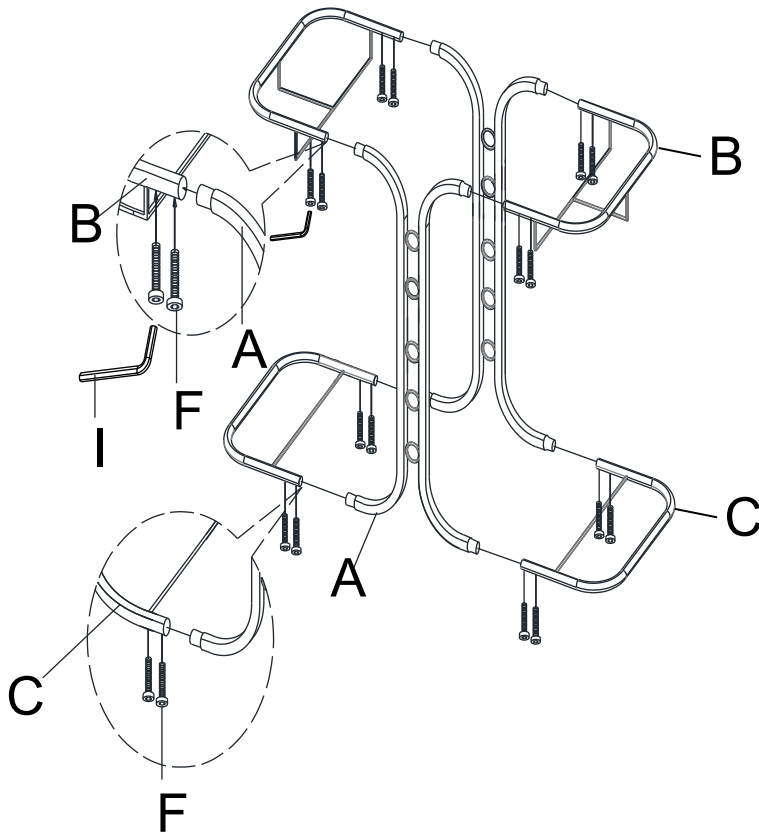
A Side Panel  2pcs	B Top Frame  2pcs	C Bottom Frame  2pcs	D Wine Rack  1pc
E Mirror  2pcs	F Bolt 1/4" x 1/2"  18pcs	G Caster Wheel 40mm  4pcs	H Plastic Tube 6 x 25mm  10pcs
I Allen Wrench 1/4"  1pc	J Open Wrench 13mm  1pc		



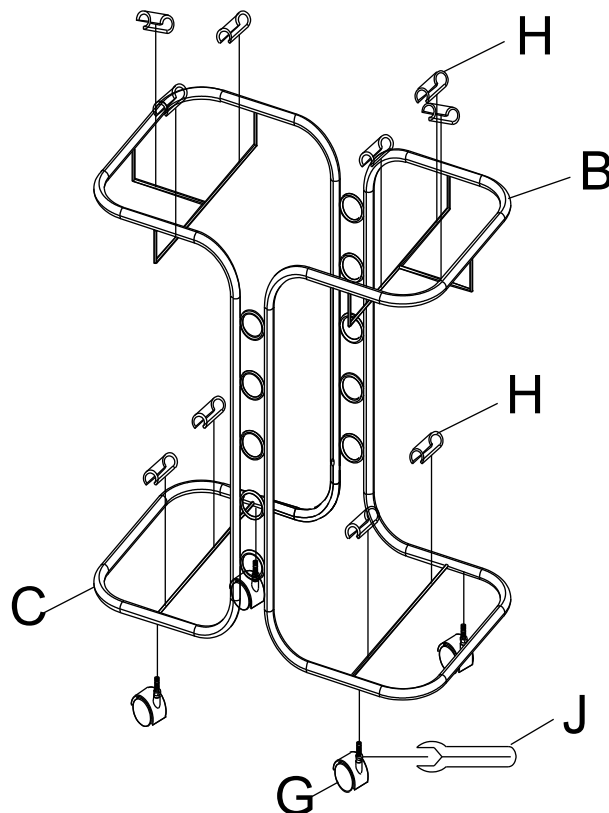
This page lists all the contents included in the box. Please take the time to identify the hardware as well as the individual components to this product. As you unpack and prepare for assembly, place the contents on a carpeted or padded area to protect them from damage.

***** Do not tighten screws & bolts until the entire unit is completely assembled.**

- 1** Attach Top Frame (B) and Bottom Frame (C) to Side Panel (A) by Bolt (F) and Allen Wrench (I) as shown.

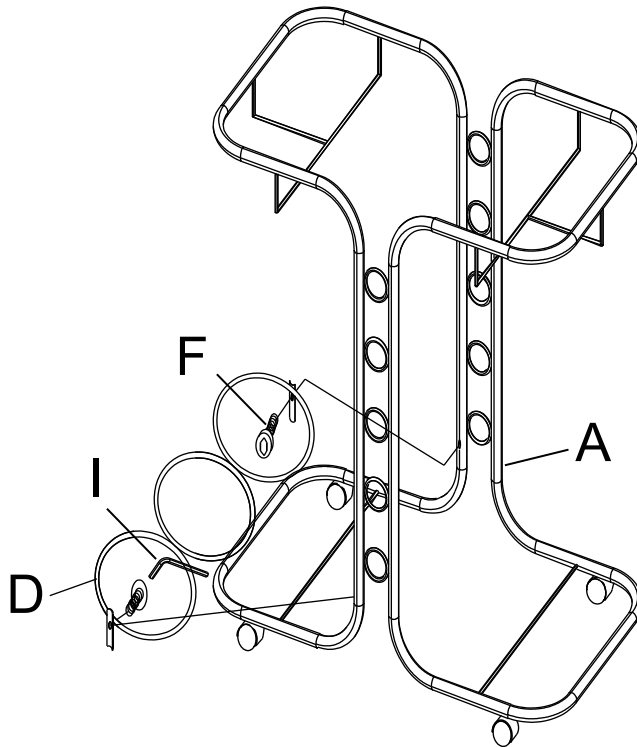


- 2** Attach Caster Wheel (G) to the bottom of Bottom Frame (C) by Open Wrench (J). Then attach Plastic Tube (H) to Top Frame (B) and Bottom Frame (C) as shown.

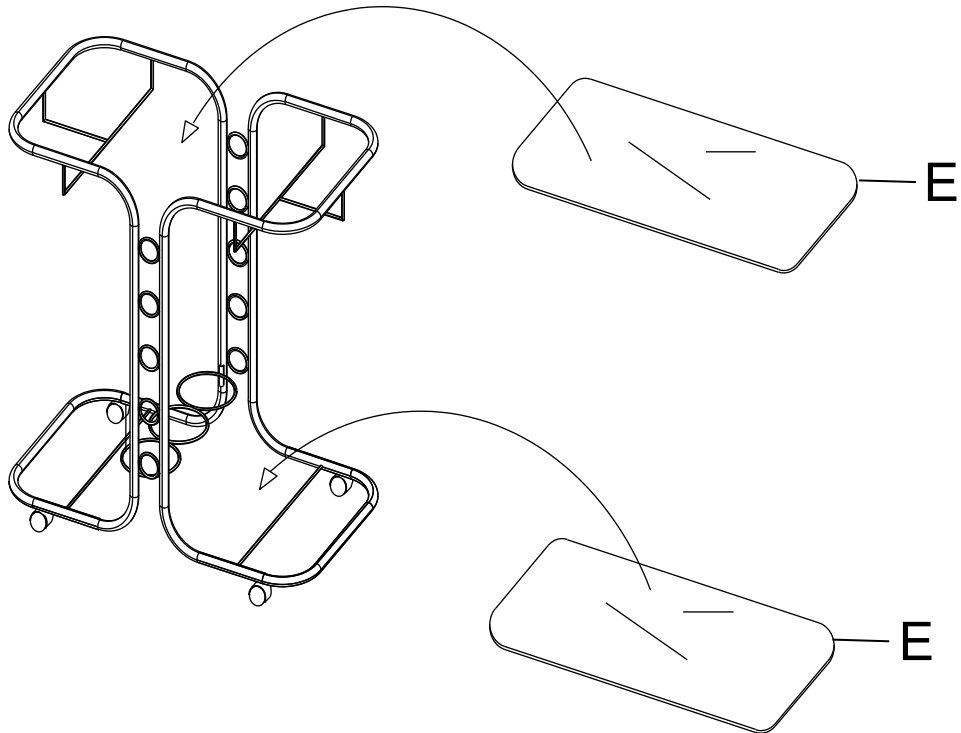


3

Attach Wine Rack (D) to Side Panel (A) by Bolt (F) and Allen Wrench (I) as shown.

**4**

Place Mirror (E) to the bar cart as shown.



Cleaning & Care

Treat surface with care. Surface is resistant to scratches but is not scratch resistant. Clean surfaces with a dry or damp soft cloth. Do not use abrasive cleaners. Hardware may loosen over time. Periodically check that all connections are tight.