



Ensemble™

60" x 32" Vikrell® bath, left drain
71121110



Features

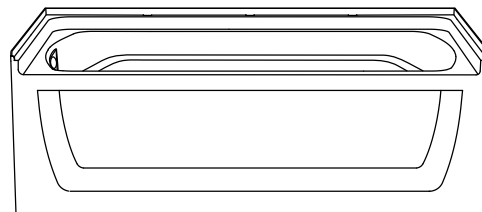
- Extra-deep bathing well for added comfort
- 18" apron
- Durable high-gloss finish provides a smooth, shiny surface that is easy to clean
- Gently sloping bath with integral apron
- 2" wainscot allows tile-down installation above bath deck

Material

- Made from solid Vikrell® material for strength, durability, and lasting beauty

Recommended Products/Accessories

- K-23726 Drain treatment
- 71324100 60" x 32" Vikrell® bath/shower wall set
- 71424100 60" x 32" Vikrell® bath/shower wall set
- 71524100 60" x 32" Vikrell® bath/shower wall set
- 71224100 60" x 32" Vikrell® bath/shower wall set



ADA

Codes/Standards


- CSA B45.5/IAPMO Z124
- ASTM E162
- ASTM E662
- ADA
- ICC/ANSI A117.1
- HUD, UM Bulletin 73

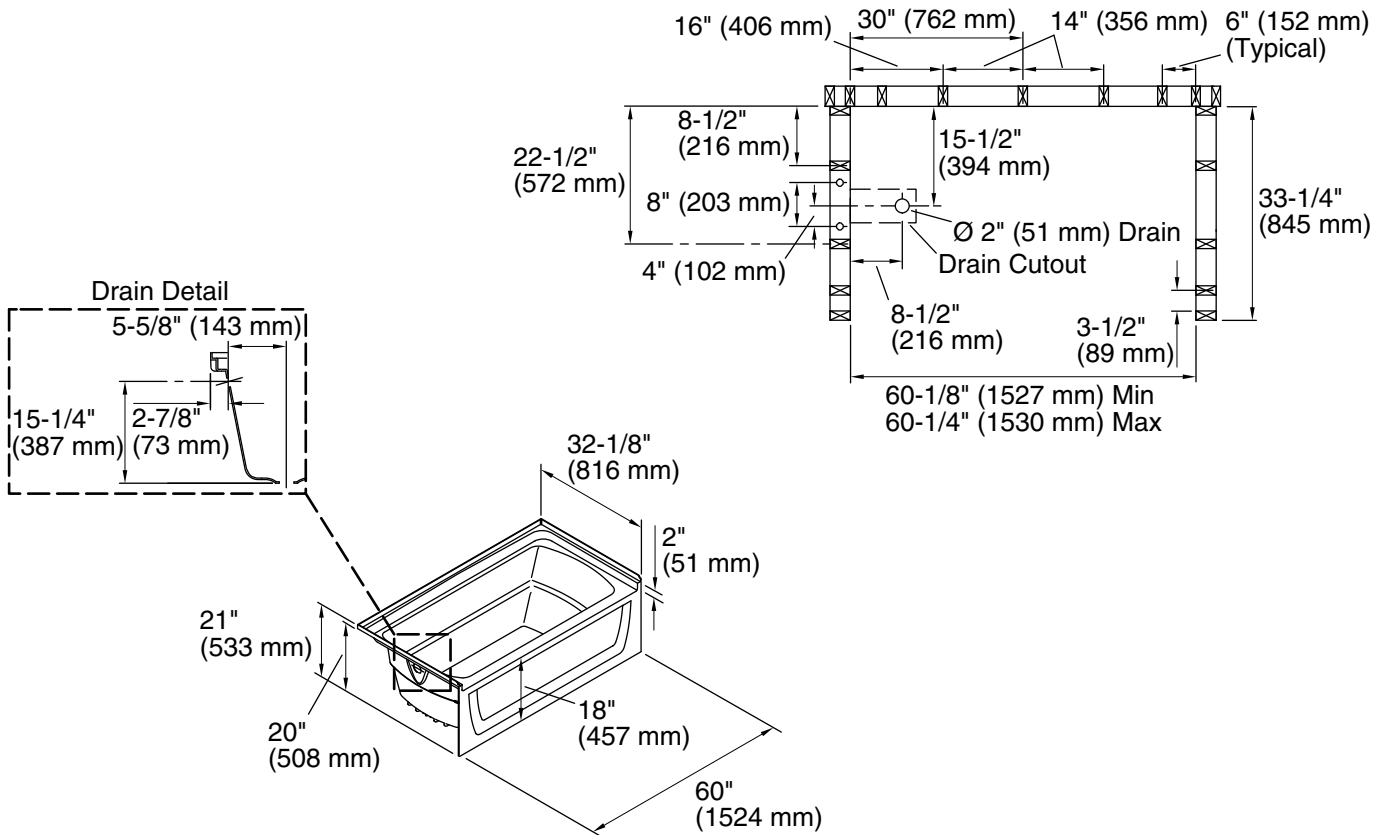
STERLING® Vikrell® or Acrylic Baths and Shower Bases Ten-Year Limited Warranty

See website for detailed warranty information.

Available Colors/Finishes

Color tiles intended for reference only.

Color	Code	Description
	0	White



Technical Information

All product dimensions are nominal.

Drain location:	Left
Basin area, bottom:	42" x 20" (1067 mm x 508 mm)
Basin area, top:	54" x 26" (1372 mm x 660 mm)
Water depth:	13-3/4" (349 mm)
Water capacity:	55 gal (208.2 L)
Minimum flat for door:	3" (76 mm)
Maximum door width:	57-11/16" (1465 mm)

Notes

Install this product according to the installation instructions.
Studs should be positioned roughly as shown. Double studding is recommended for pivot shower door installations.
ADA compliant when installed to the specific requirements of these regulations.