

# Installation Instructions

## Remote Blower Motor

Record your model number:  
Noter le numéro de modèle:  
Anoté su número de modelo: \_\_\_\_\_

Français, page 9  
Español, página 16

**KOHLER**<sup>®</sup>

# Thank You for Choosing KOHLER

---


Need help? Contact our Customer Care Center.

- USA/Canada: 1-800-4KOHLER (1-800-456-4537) Mexico: 001-800-456-4537
- Service parts: [kohler.com/serviceparts](http://kohler.com/serviceparts)
- Care and cleaning: [kohler.com/clean](http://kohler.com/clean)
- Patents: [kohlercompany.com/patents](http://kohlercompany.com/patents)


## Important Information

---

 **WARNING:** When using electrical products, basic precautions should always be followed, including the following:

 **DANGER: Risk of electric shock.** To reduce the risk of electrical shock, connect only to circuits protected by a Ground-Fault Circuit-Interrupter (GFCI) or Residual Current Device (RCD).

 **WARNING: Risk of electric shock.** A qualified electrician should make all electrical connections.

 **WARNING: Risk of electric shock.** Disconnect the power before servicing.

**NOTICE:** Follow all local plumbing and electrical codes.

Building materials and wiring should be routed away from the blower body and other heat-producing components of the unit.

Install to permit access for servicing.

## Product Information

---

### Electrical Requirements

**NOTE:** If the supply cord is damaged, it must be replaced by the manufacturer, its service agent, or similarly qualified agent in order to avoid a hazard.

The installation must have a Class A Ground-Fault Circuit-Interrupter (GFCI) or Residual Current Device (RCD). The GFCI or RCD protects against line-to-ground shock hazard. **Use a 120 V, 15 A, 50/60 Hz dedicated service for the airbath.**

An equipment grounding terminal is provided in the field wiring compartment. To reduce the risk of electric shock, this terminal must be connected to the grounding means provided in the electric supply panel with a conductor equivalent in size to the circuit conductors supplying this equipment.

The electrical rating of the bath is printed on a label near the blower motor. You can also find the electrical requirements from the installation instructions included with the bath and the Specification Sheet found on the product page at [kohler.com](http://kohler.com).

## Product Notices

**⚠ WARNING: Risk of personal injury or property damage. Unauthorized modification may cause unsafe operation or effect performance of the airbath.** Do not relocate the blower motor, or make other modifications to the bath system in the absence of kit or other published instructions, as this could adversely affect the performance and safe operation of the product. Kohler Co. shall not be liable for personal injury or damage caused by any such unauthorized modification. Refer to the "Before You Begin" section for blower motor relocation requirements, recommendations, and section coverage information.

**NOTICE: Keep the area around the blower motor clean and free of debris.** Ensure that the area around the blower motor is free of sawdust, insulation, dirt, or other small loose debris. Such material could plug the blower motor air ducts and reduce the air flow through the blower.

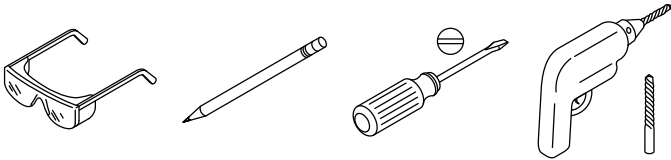
## Connections and Service Access

**NOTICE: Provide unrestricted service access to the blower motor.** Provide access for servicing the blower motor and controls. The access must be located immediately next to the blower motor. Refer to the Specification Sheet.

If the blower motor is installed in an enclosed area, an access panel is required at the blower motor. The access panel should be 18" (457 mm) wide and 14" (356 mm) high minimum.

## Tools and Materials

---



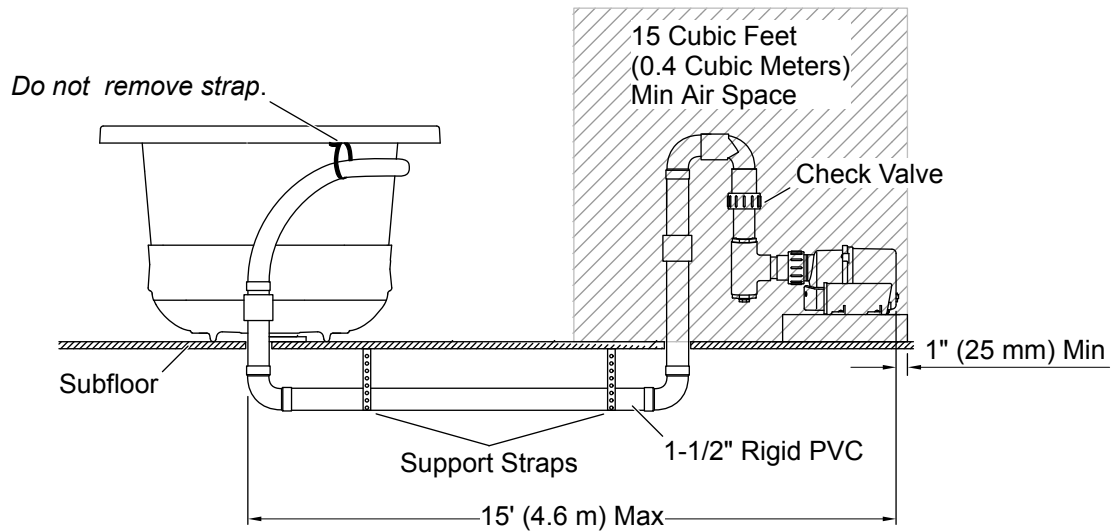
### Plus:

- 1-1/2" PVC or Other Pipe Type
- Pipe Fittings
- Unions
- PVC Cement (or equivalent fastening method)
- Four Flathead Wood Screws or Concrete Anchors
- Cable Ties or Support Clips

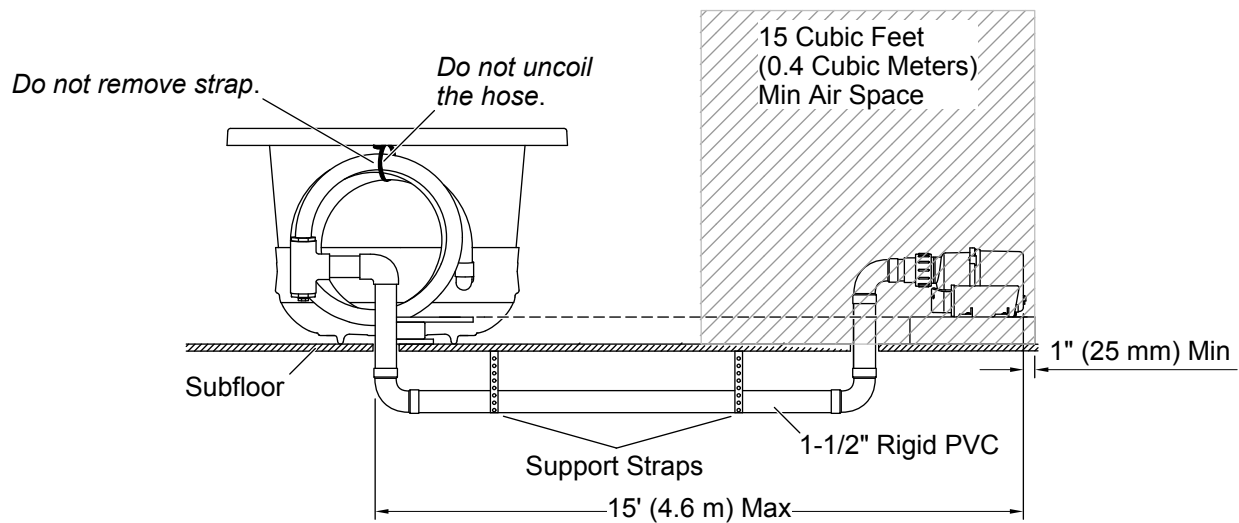
## Before You Begin

---

### With Check Valve



### Without Check Valve



**NOTICE:** For most baths, relocating the blower motor is not necessary. This option is provided for specific installations where a remote location is practical. Please refer to the instruction instructions for your specific bath model to determine if a remote installation is required.

**NOTICE: For blower with check valve:** Relocate the blower motor and check valve together. Do not relocate the blower motor or the check valve separately.

**NOTICE: DO NOT relocate the control unit.** The control unit must remain with the bath.

**NOTE:** Refer to the bath Installation Instructions for preliminary steps and considerations for installation of the bath.

**NOTE:** Your product and piping may appear different than the layout shown above. The installation guidelines and procedures remain the same.

- Relocate the blower motor close to the bath to maximize bath performance. The blower motor must be located within 15' (4.6 m) of the bath. Verify that there are no more than six direction changes in the piping.
- If the blower motor is wired to a junction box, the junction box and blower must be moved together.
- The blower motor must be oriented horizontally. Install the blower to a support block that is the same height as the original mounted location relative to the bath, or 1-1/2" (38 mm) above the floor.
- For blower with check valve:** At the new location, the check valve must be no lower than 24" (610 mm) below the rim of the bath. The check valve must be within 12" (305 mm) of the blower motor. The check valve must be oriented vertically with the flow arrow pointing up.
- The blower motor must have adequate ventilation for cooling and air flow. Do not install the blower motor closer than 1" (25 mm) from the wall or other objects. Provide approximately 15 cubic feet (0.4 cubic meters) of minimum air space for cooling.
- Use 1-1/2" PVC or equivalent piping.
- The piping installation must meet the requirements of local plumbing and building codes. Verify that the installation does not reduce the fire rating of any walls.
- Piping must be supported at intervals along the length in accordance with local codes.
- Verify that the blower motor location is clean and free of dust or debris.
- If appropriate, install an additional access panel for blower motor maintenance.
- In accordance with local codes, the keypad cable must be supported by cable ties or support clips at intervals along the length of the bath. The cable must not rest on wet surfaces or floors that are subject to flooding.
- All material needed for the relocation must be supplied by the installer. This includes everything below the subfloor up to the couplers included in the kit.

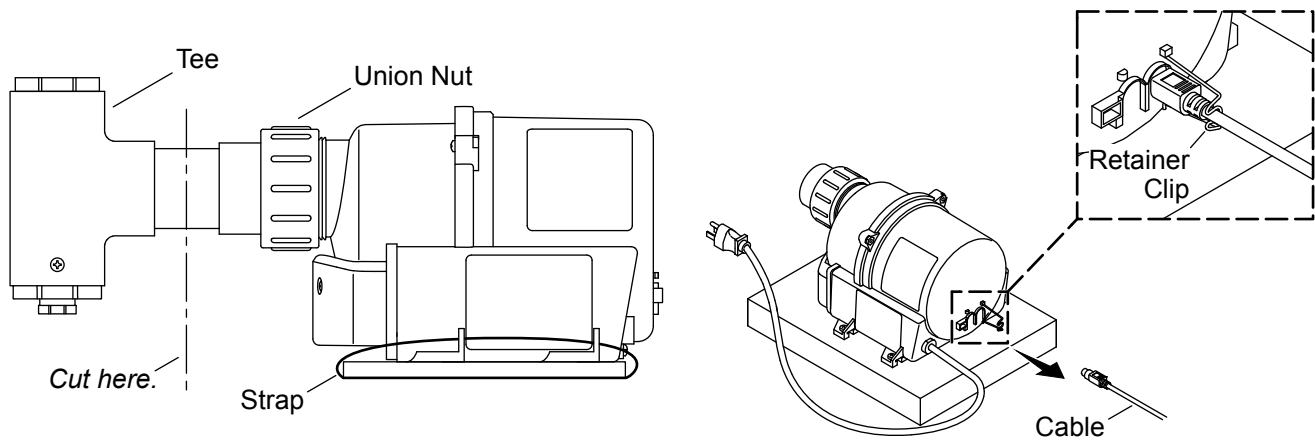
## 1. Prepare the Site

---

- Prepare the site for the bath installation and blower motor installation. Refer to the Installation Instructions included with the bath.
- Install the required access panel to service the blower motor.
- Prepare routing paths for the PVC piping and the keypad cable. Follow all applicable building, fire, plumbing, and electrical codes.

## 2. Disconnect the Blower Motor

---



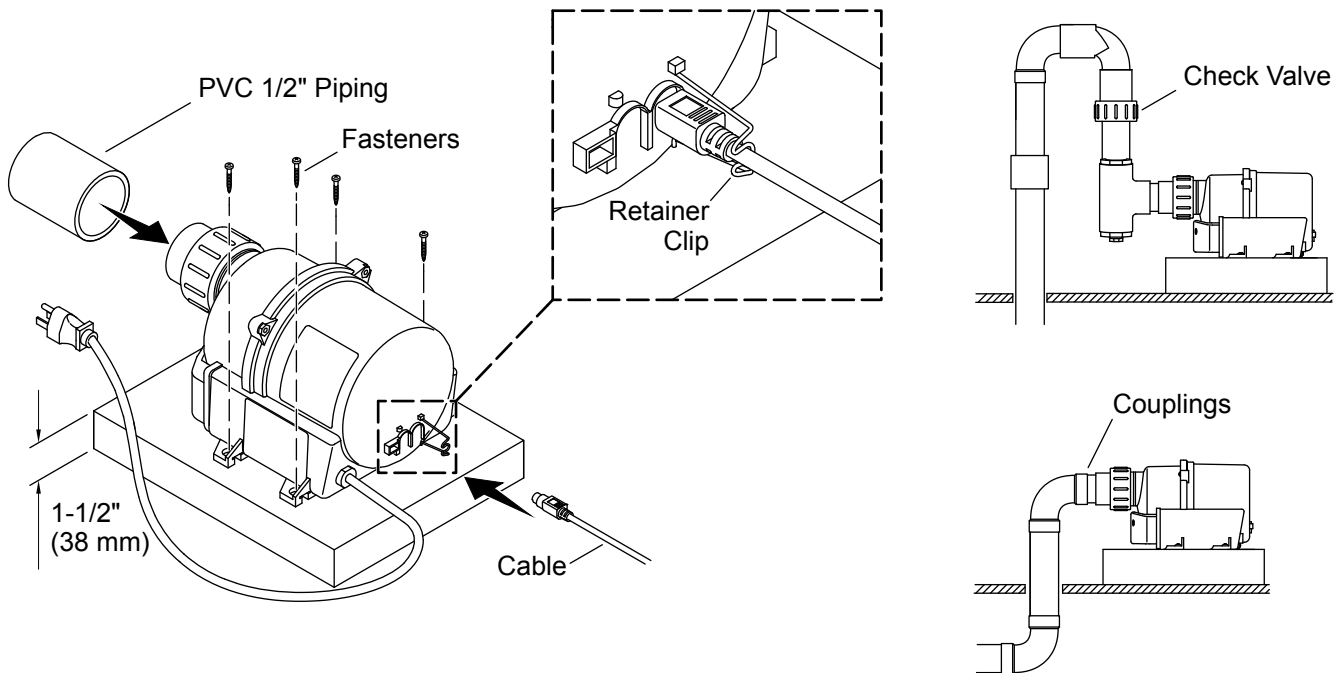
**IMPORTANT!** Do not cut, remove, or uncoil the coiled piping if attached to the bath.

### For Blower Motor Without Check Valve Only

- Cut the middle of the 1-1/2" PVC pipe located between the tee and the union nut.
- Disconnect and remove the cable connecting the blower motor and the user interface.
- Cut the straps holding the blower motor to the support board on the bath.
- Prepare, install, and secure the bath. Refer to the Installation Instructions included with the bath.

### 3. Reconnect the Blower Motor

---



**NOTE:** The blower motor must be located within 15' (4.6 m) of the bath, with no more than six direction changes in piping.

**NOTE:** If the blower motor is wired to a junction box, the junction box and blower must be moved together.

**NOTE:** The blower motor must be oriented horizontally. Install the blower to a support block that is the same height as the original mounted location relative to the bath, or 1-1/2" (38 mm) above the floor.

**NOTE:** Refer to the "Before You Begin" section for other detailed requirements for the blower motor relocation.

- At the chosen blower motor location, install a 1-1/2" (38 mm) high block (not supplied) above the floor to support the blower motor. Select a block of sufficient length and width to support the entire blower motor.
- Install the blower motor to the support block with appropriate fasteners (not supplied).
- Route PVC or other 1-1/2" piping (not supplied) between the bath and the blower motor location.
- For blower with check valve:** Install the check valve at the blower motor location. The check valve must be oriented vertically. Verify that the check valve is located no lower than 24" (610 mm) below the bath rim. Verify that the flow arrow on the check valve is pointing away from the blower motor,
- For blower without check valve:** Connect each previously cut end of the PVC with the provided 1-1/2" couplings.
- Route the provided cable from the new blower motor location to the bath. Use cable ties or other support clips (not supplied) to support the cable.
- Connect the cable to the blower motor. The cable connector at the blower should be oriented with the flat side facing up.

- Use the provided retaining clip to prevent accidental cable disconnection.
- Connect the cable to the user interface.
- Verify that any wall holes are properly sealed as required by local building or fire codes.

## 4. Make Electrical Connections

---

 **DANGER: Risk of electric shock.** To reduce the risk of electrical shock, connect only to circuits protected by a Ground-Fault Circuit-Interrupter (GFCI) or Residual Current Device (RCD).

- Make electrical connections according to the Installation Instructions included with the bath.
- Complete the bath installation according to the Installation Instructions included with the bath.