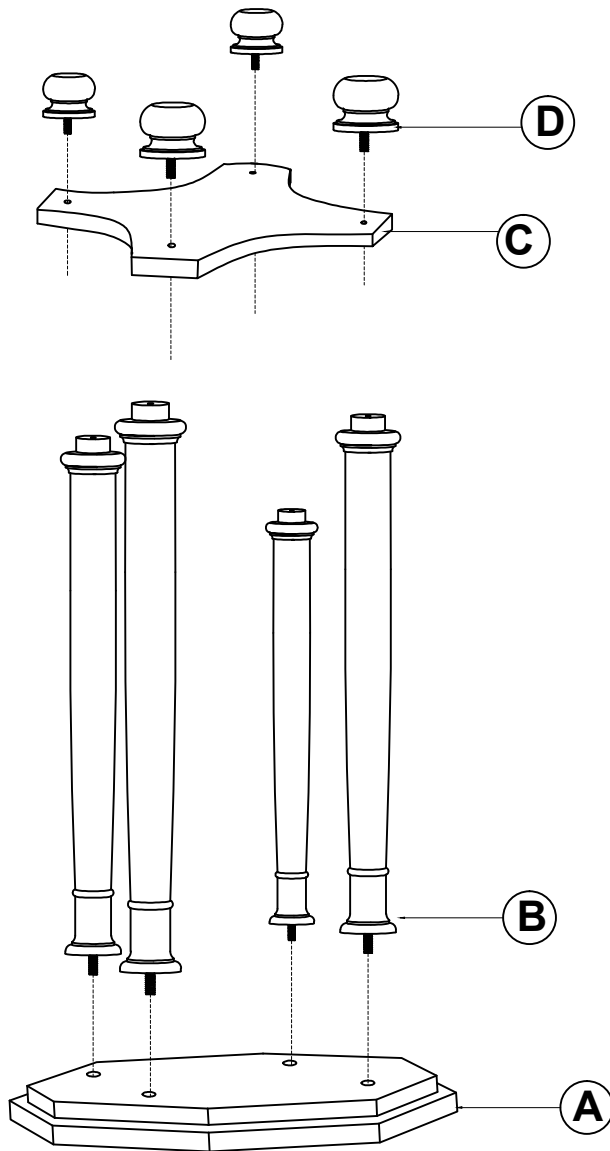
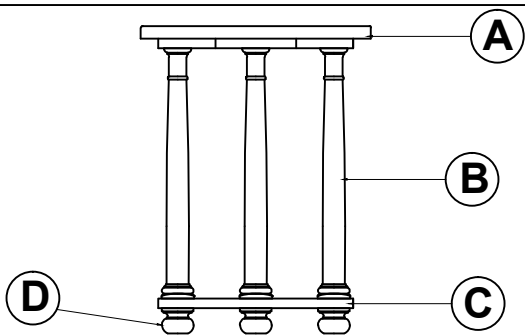


# HEKMAN

## ASSEMBLY INSTRUCTION 11105-PILLAR END TABLE



Please tighten Table Legs 1 (B) first and assemble Shelf (C) then tighten Table Legs 2(D)



Part	Description	Qty
A	Table Top	1 pc
B	Table Leg 1	4 pcs
C	Shelf	1 pc
D	Table Legs 2	4 pcs