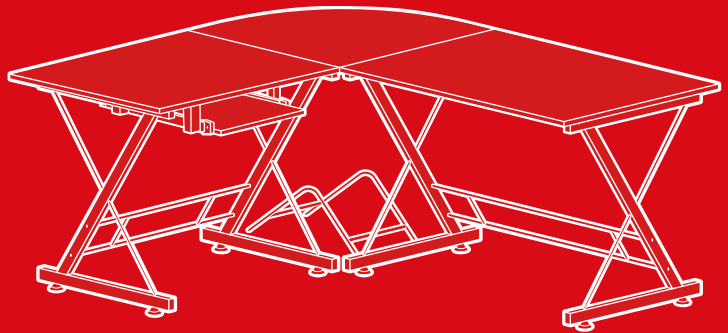




bestchoiceproducts



INSTRUCTION MANUAL

Wood L-Shaped
Corner Computer Desk

NOTICE

- Do not stand on or use any part of this item as a step ladder.
- Firmly secure all bolts, screws and knobs before use.
- Reconfirm that all bolts, screws, and knobs are secure every 90 days.
- Be aware that some parts are heavy and have sharp edges.
- Fasten screws loosely during initial assembly. Do not firmly tighten the screws until the piece is completely assembled.
- Two people are required to assemble this product.
- Product is intended for indoor use only.
- If any parts are missing, broken, damaged, or worn, stop using this item until repairs are made and/or factory replacement parts are installed.
- Do not use this item in a way inconsistent with the manufacturer's instructions as this could void the product warranty.
- Place the desk on smooth, flat ground. Do not use it outdoors or on slanted ground.

CARE & MAINTENANCE

- Wipe down the furniture with a damp cloth.
- Reconfirm that all bolts, screws, and knobs are secure every 90 days.

TOOLS REQUIRED



PHILLIPS
SCREWDRIVER








2 PERSON
ASSEMBLY

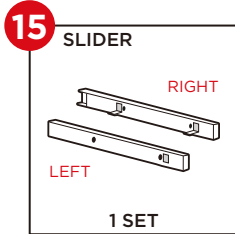
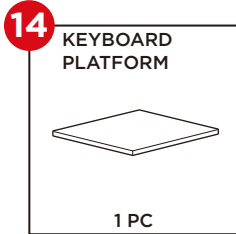
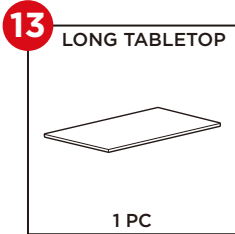
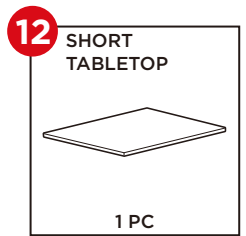
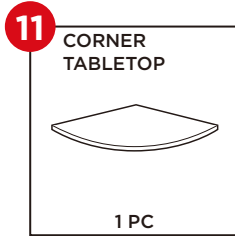
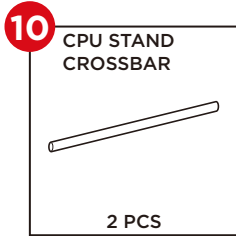
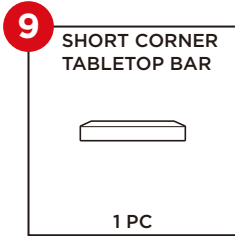
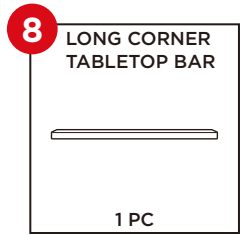
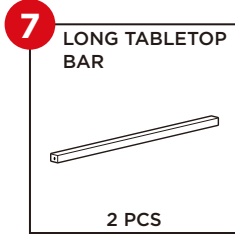
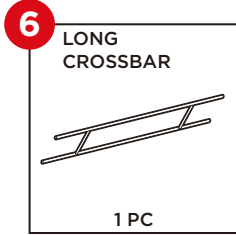
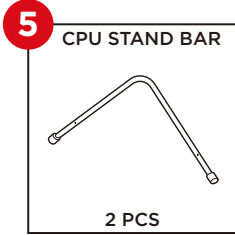
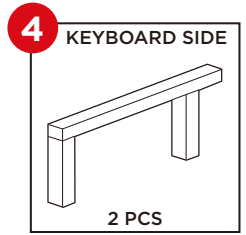
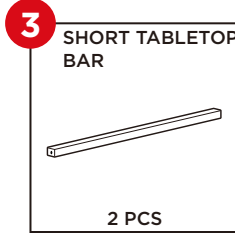
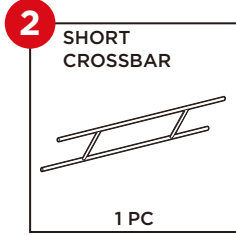
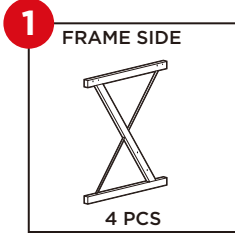


APPROXIMATELY
60 MIN.
ASSEMBLY

HARDWARE

| | | | | |
|---|---|--|--|---|
| A M6 x 35mm SCREW  26 PCS | B M6 x 30mm SCREW  12 PCS | C M4 x 14mm SCREW  4 PCS | D M4 x 8mm BOLT SET  4 PCS | E FOOT  8 PCS |
|---|---|--|--|---|

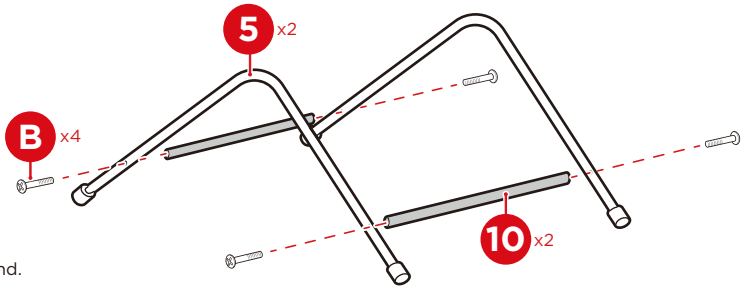
PARTS



PRODUCT ASSEMBLY

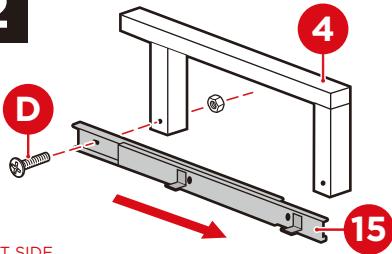
Please retain these instructions for future reference.

1



Assemble the CPU stand.

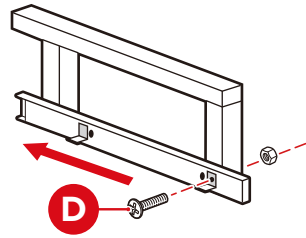
2



RIGHT SIDE

Slide open a part 15 slider and attach the back of the slider to a part 4 keyboard side with a part D bolt set.

3

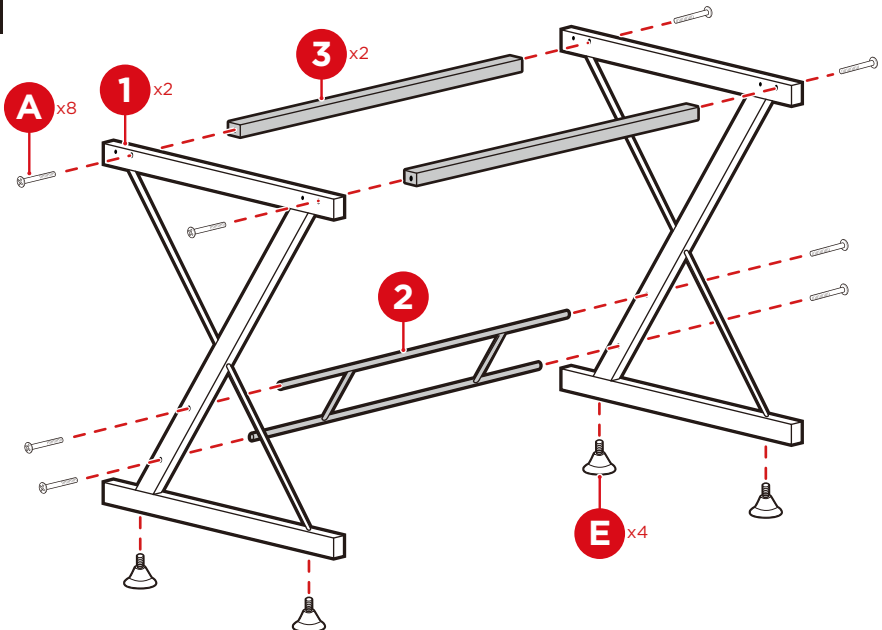


RIGHT SIDE

Align the front screw hole with the screw hole on part 4, then attach the front of the slider. Repeat to attach a slider to the other keyboard side.

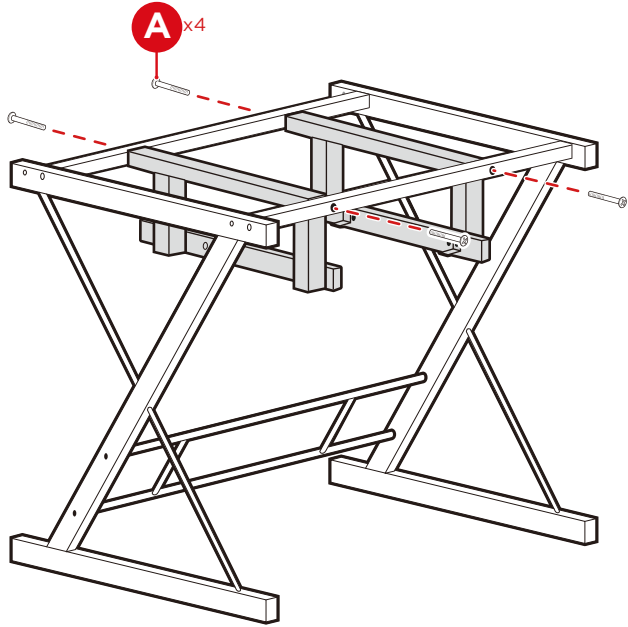
4

Assemble the short table frame.



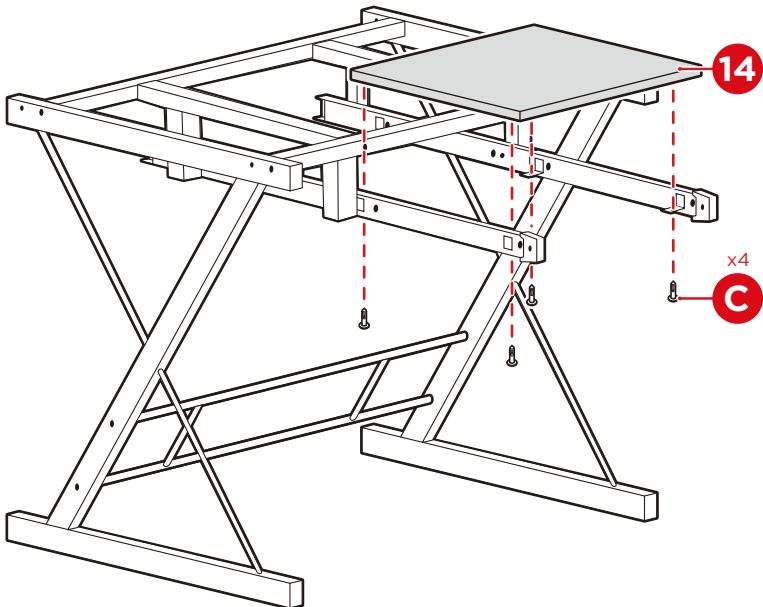
PRODUCT ASSEMBLY

5



Attach the keyboard frames to the short table.

6



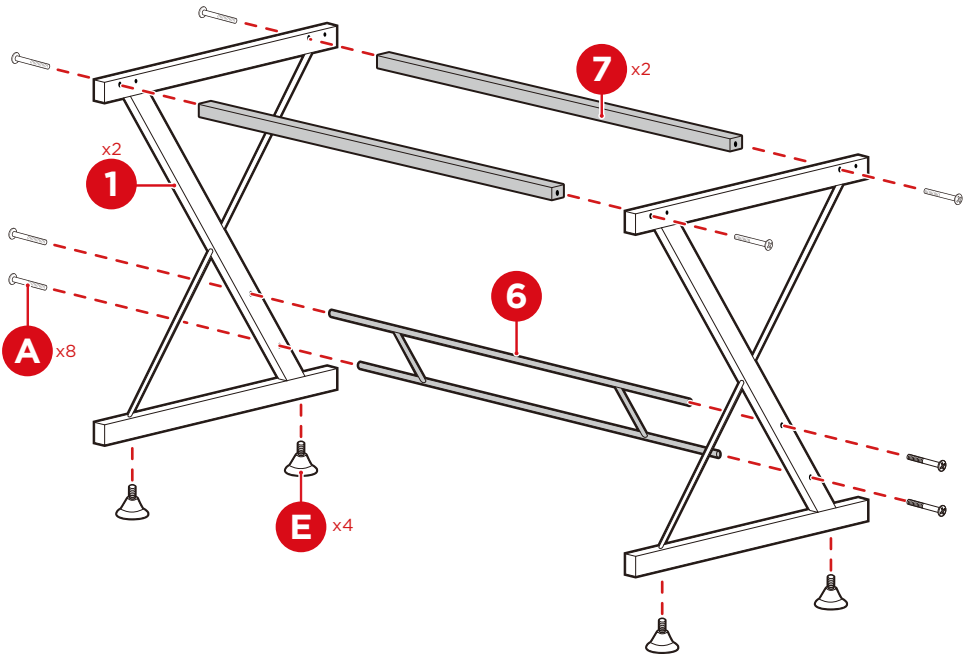
Attach the part 14 keyboard platform to the keyboard frames.

PRODUCT ASSEMBLY

7



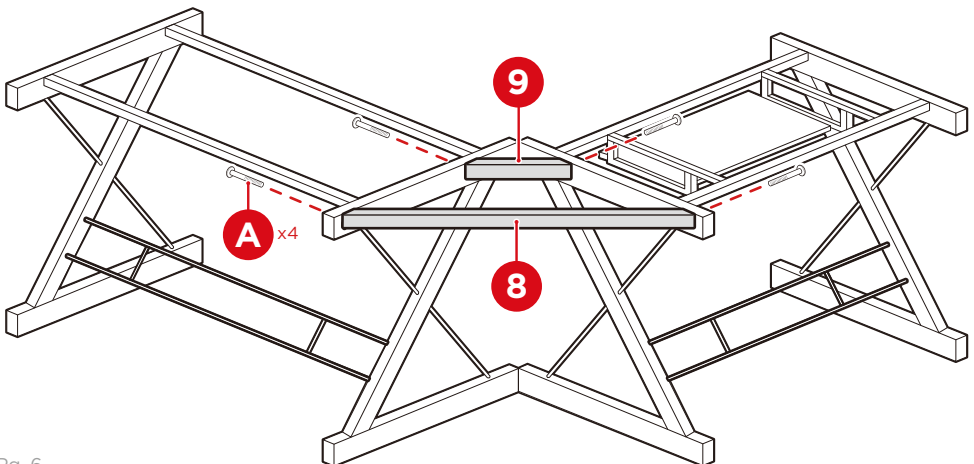
The short and long tables can be placed on **either** side. Before continuing assembly, make sure to place the tables in your preferred position.



Assemble the long table frame.

8

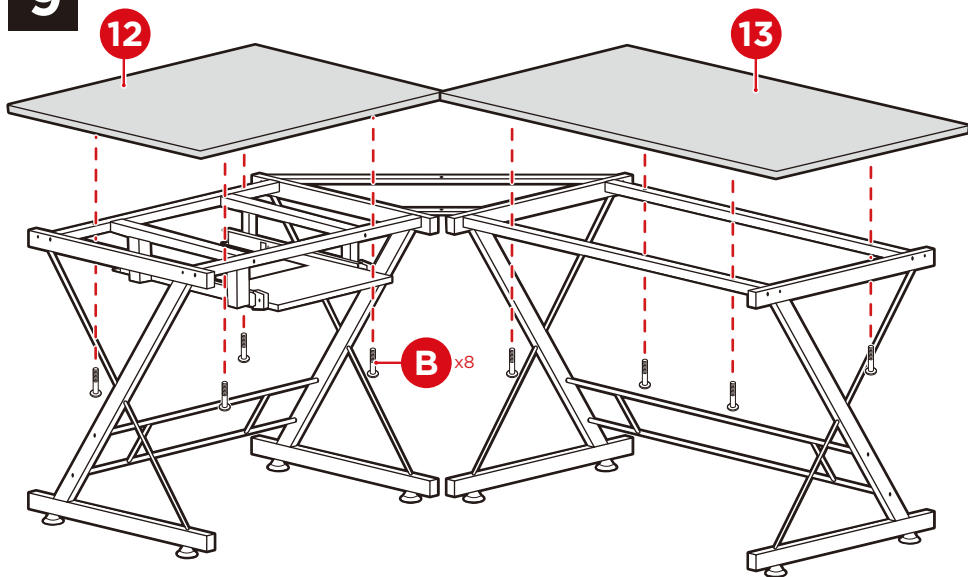
Place parts 8 and 9 between the two table frames and secure them with four part A screws, two on each side.



PRODUCT ASSEMBLY

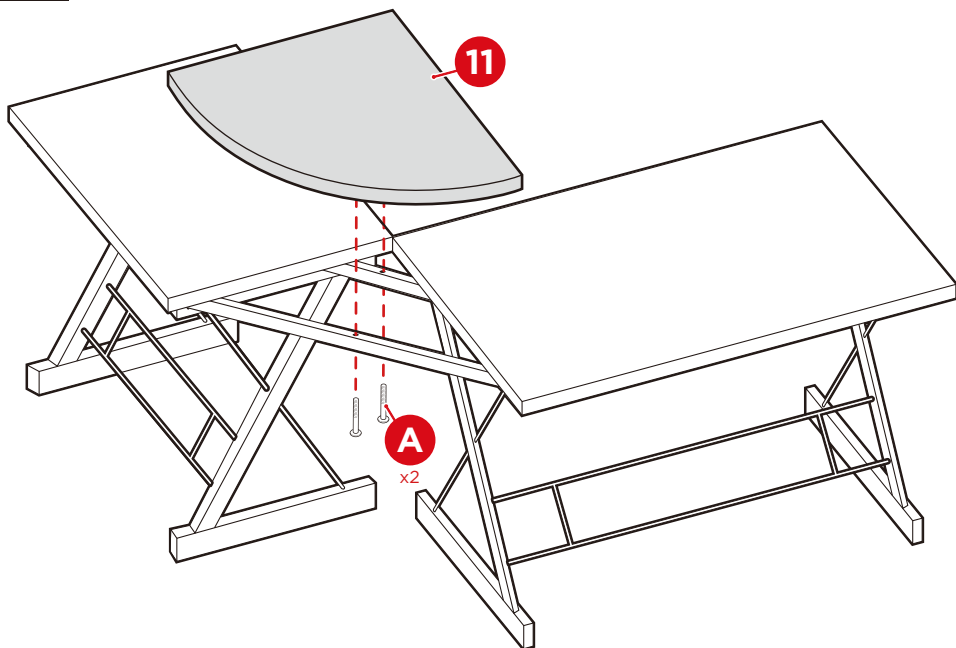
9

Attach the part 12 and 13 tabletops to the frame.



10

Attach part 11 tabletop to the frame.

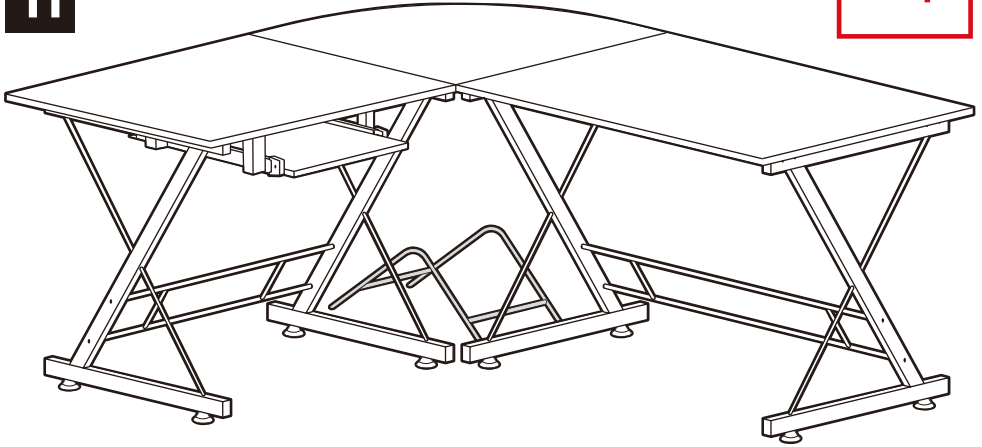


PRODUCT ASSEMBLY

bcp

11

Place the CPU stand according to your preference.



PRODUCT WARRANTY INFORMATION

All items can be returned for any reason within 60 days of the receipt and will receive a full refund as long as the item is returned in its original product packaging and all accessories from its original shipment are included. All returned items will receive a full refund back to the original payment method. All returned items will not be charged a re-stocking fee.

All returned items require an RA (Return Authorization) number, which can only be provided by a Best Choice Products Customer Service Representative when the return request is submitted. Items received without an RA may not be accepted or may increase your return processing time. Once an item has been received by Best Choice Products, refunds or replacements will be processed within 5 business days.

All returns must be shipped back to the Best Choice Products Return Center at the customer's expense. If the reason for return is a result of an error by Best Choice Products then Best Choice Products will provide a pre-paid shipping label via email. Boxes for return shipping will not be provided by Best Choice Products, and is the customer's responsibility to either use the original shipping boxes or purchase new boxes.

Pictures may be required for some returns to ensure an item is not damaged prior to its return. Items returned are not considered undamaged until they are received by Best Choice Products and verified as such. All damages to items are the customer's responsibility until the item has been received by and acknowledge by Best Choice Products as undamaged.

CONTACT US; WE'RE HERE 7 DAYS A WEEK TO HELP YOU!



bestchoiceproducts.com



customerservice@bestchoiceproducts.com



844.948.8400



LEARN MORE!

WARNING

Manufacturer and seller expressly disclaim any and all liability for personal injury, property damage or loss, whether direct, indirect, or incidental, resulting from the incorrect attachment, improper use, inadequate maintenance, or neglect of this product.