



Ensemble™ Tile

60" x 32" Vikrell® bath/shower, left drain
71120110



Features

- 18" apron
- Tongue-and-groove walls with snap-together installation
- Tile look
- Corner shelves

Material

- Made from solid Vikrell® material for strength, durability, and lasting beauty

Installation

- Alcove
- Left drain
- Some caulk required for proper installation

Recommended Products/Accessories

K-23726 Drain treatment

Included Components

- 71124100 60" x 32" Vikrell® bath/shower wall set
- 71121110 60" x 32" Vikrell® bath, left drain



Codes/Standards

CSA B45.5/IAPMO Z124
ASTM E162
ASTM E662
HUD, UM Bulletin 73

STERLING® Vikrell® or Acrylic Baths and Shower Bases Ten-Year Limited Warranty

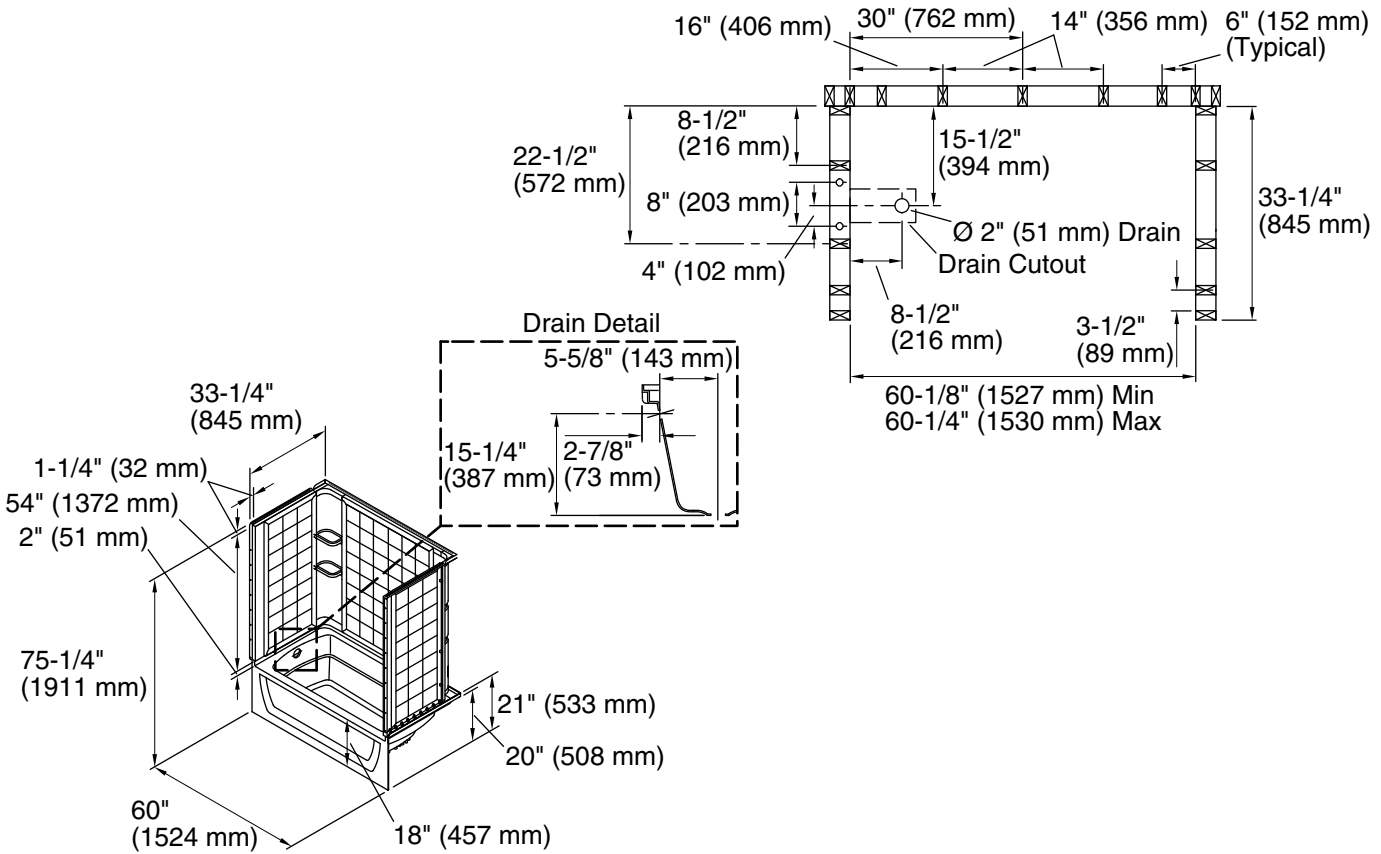
See website for detailed warranty information.

1-800-STERLING (1-800-783-7546)

Kohler Co. reserves the right to make revisions without notice to product specifications.

For the most current Specification Sheet, go to www.sterlingplumbing.com.

3-31-2025 00:36 - US/CA



Technical Information

All product dimensions are nominal.

Drain location:	Left
Basin area, bottom:	42" x 20" (1067 mm x 508 mm)
Basin area, top:	54" x 26" (1372 mm x 660 mm)
Water depth:	13-3/4" (349 mm)
Water capacity:	55 gal (208.2 L)
Minimum flat for door:	3" (76 mm)
Maximum door height:	55-1/2" (1410 mm)
Maximum door width:	57-11/16" (1465 mm)

Notes

Install this product according to the installation instructions.

Studs should be positioned roughly as shown. Double studding is recommended for pivot shower door installations.