



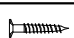


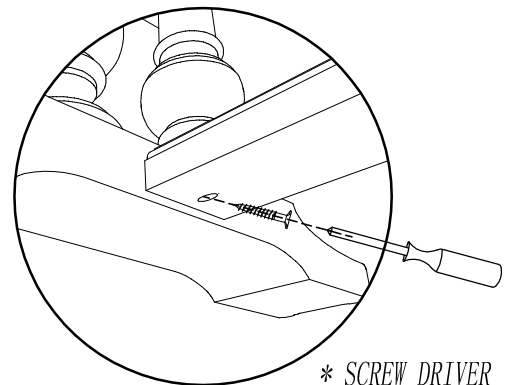
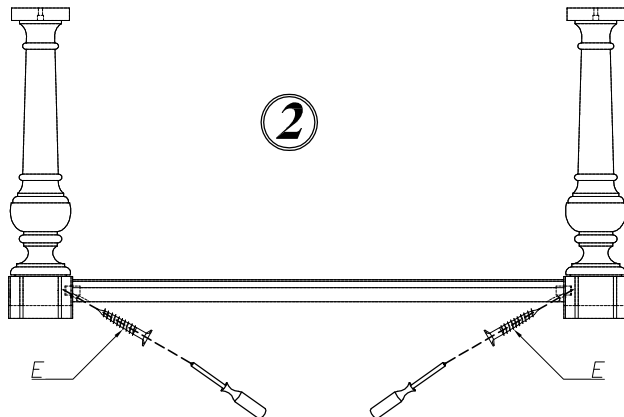
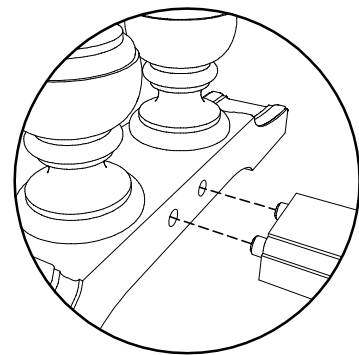
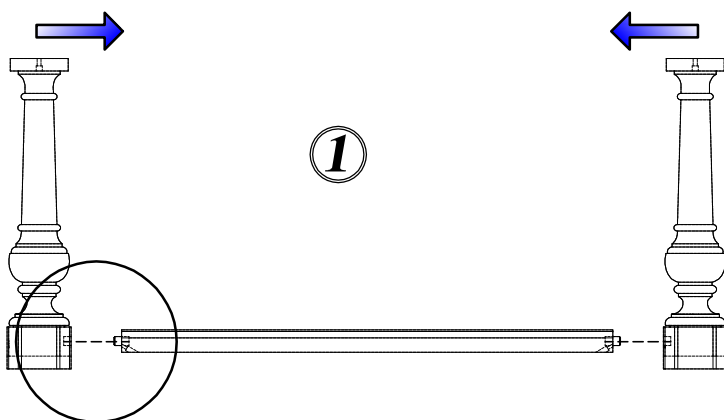


ASSEMBLY INSTRUCTIONS

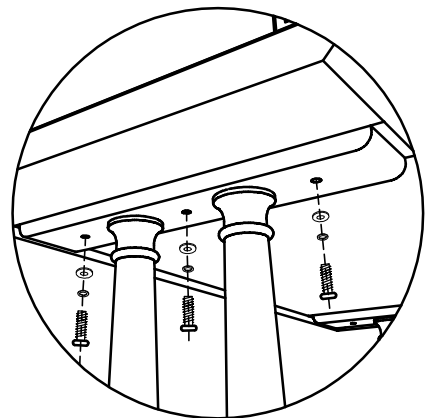
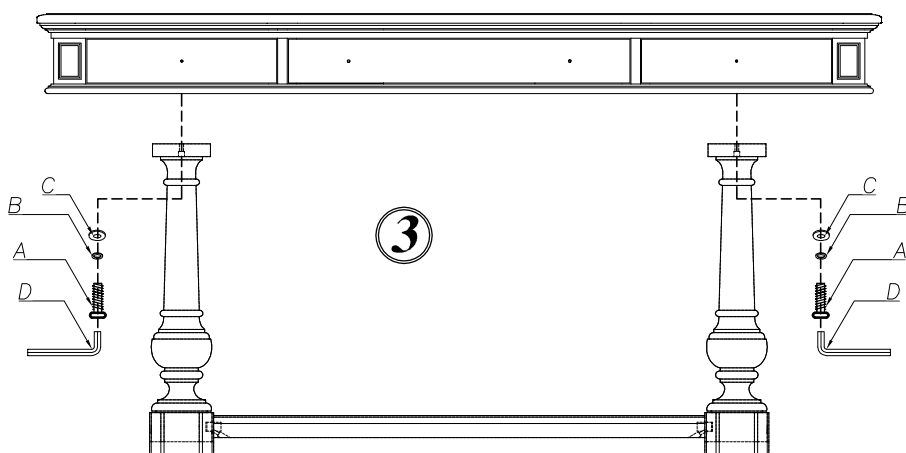
25240 / 25440 - CAPTAIN DESK

X A HOWARD MILLER COMPANY

NO.	Hardware List		Q'ty
A		Bolt 5/16" * 45mm L	4
B		Lock Washer 5/16" Dia	8
C		Flat Washer 5/16" Dia	8
D		Wrench 3/16" Dia*4-3/4" L	1
E		Screw 8 x 1 1/2"	2



* SCREW DRIVER
NOT INCLUDED



MADE IN INDONESIA