


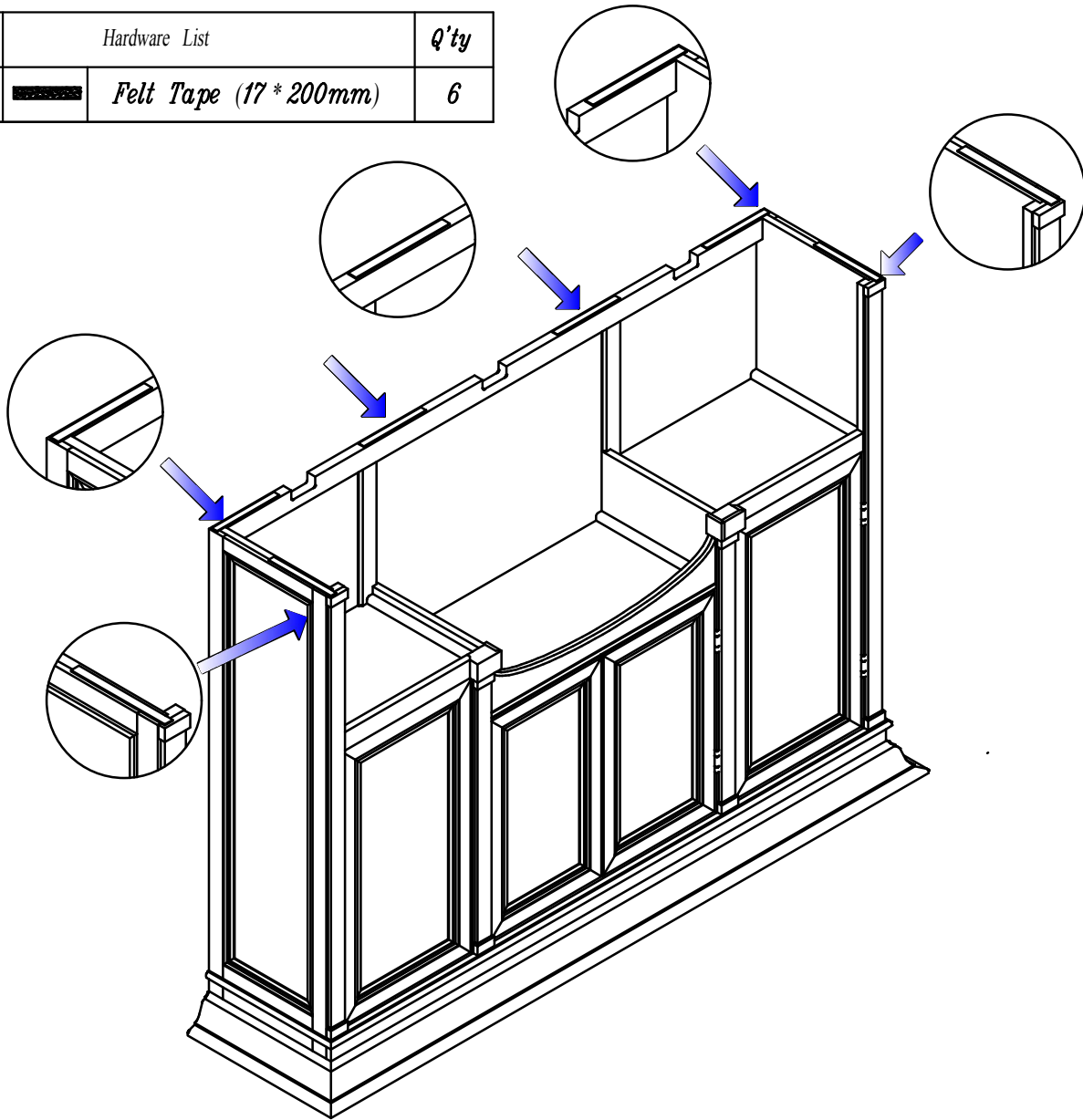
# HEKMAN

X A HOWARD MILLER COMPANY

## ASSEMBLY INSTRUCTIONS

7-9102 DECK

NO.	Hardware List	Q'ty
A	 Felt Tape (17 * 200mm)	6



*PEEL OF THE TAPE, PLACE ACCORDING TO THE PICTURE*

