

Quick Installation Guide

IV200 / IV400 Motorized Dome



Warning Before Installation

- The product must be installed and protected in a location that is not easily accessible, and is away from impacts or heavy vibration. For example, at the location where the surveillance cameras are looking down or installed at high positions such as on a wall, or at least 3 meters above the ground.
- The product should be used in compliance with local laws and regulations.
- Do not install the product on an unstable mount or surface.
- Do not disassemble the camera or perform maintenance task when power is connected.
- Before installation, the product should be stored in a dry and ventilated environment.
- Use only accessories that comply with the technical specifications of the product.
- Please contact LINEAR'S certified dealers for power adapters.



Avertissement avant installation

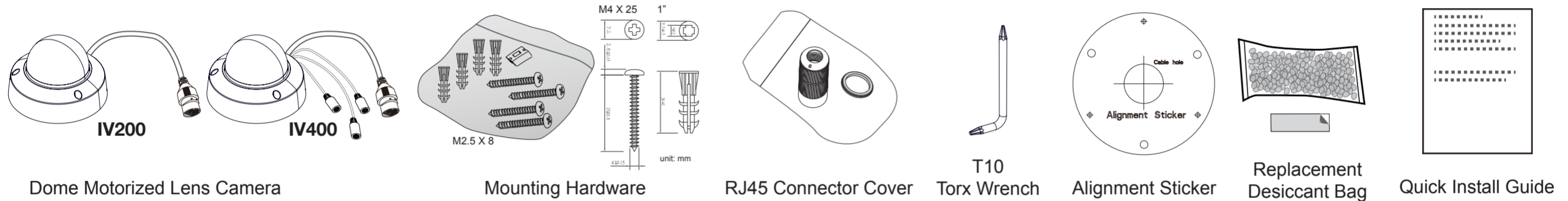
- Le produit doit être installé et protégé dans un endroit difficilement accessible, à l'abri des chocs et des vibrations importantes. Par exemple, à l'endroit où les caméras de surveillance sont dirigées vers le bas ou installées à des endroits élevés, par exemple sur un poteau, un mur ou au moins à 3 mètres du sol.
- Le produit doit être utilisé conformément aux lois et réglementations locales.
- Ne pas installer le produit sur un support ou une surface instable.
- Ne démontez pas la caméra et n'effectuez pas de travaux de maintenance lorsque celle-ci est sous tension.
- Avant l'installation, le produit doit être entreposé dans un endroit sec et ventilé.
- N'utiliser que des accessoires conformes aux spécifications techniques du produit.
- Veuillez contacter les revendeurs certifiés LINEAR pour les adaptateurs d'alimentation.



Advertencia antes de la instalación

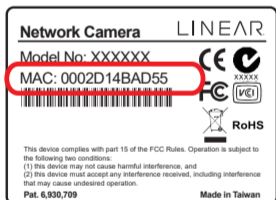
- El producto debe instalarse y protegerse en un lugar que no sea fácilmente accesible y donde no se someta a impactos o fuertes vibraciones. Por ejemplo, en el lugar donde las cámaras de vigilancia miran hacia abajo o se instalan en posiciones altas, como en un poste, una pared o al menos 3 metros sobre el suelo.
- El producto debe usarse de acuerdo con las leyes y regulaciones locales.
- No instale el producto en un estante o soporte inestables.
- No desmonte la cámara ni realice tareas de mantenimiento cuando esté conectada la alimentación.
- Antes de la instalación, el producto debe almacenarse en un entorno seco y ventilado.
- Use solo accesorios que cumplan con las especificaciones técnicas del producto.
- Póngase en contacto con los distribuidores certificados de LINEAR para los adaptadores de corriente.

Package Contents / Installation du matériel / Instalación del hardware

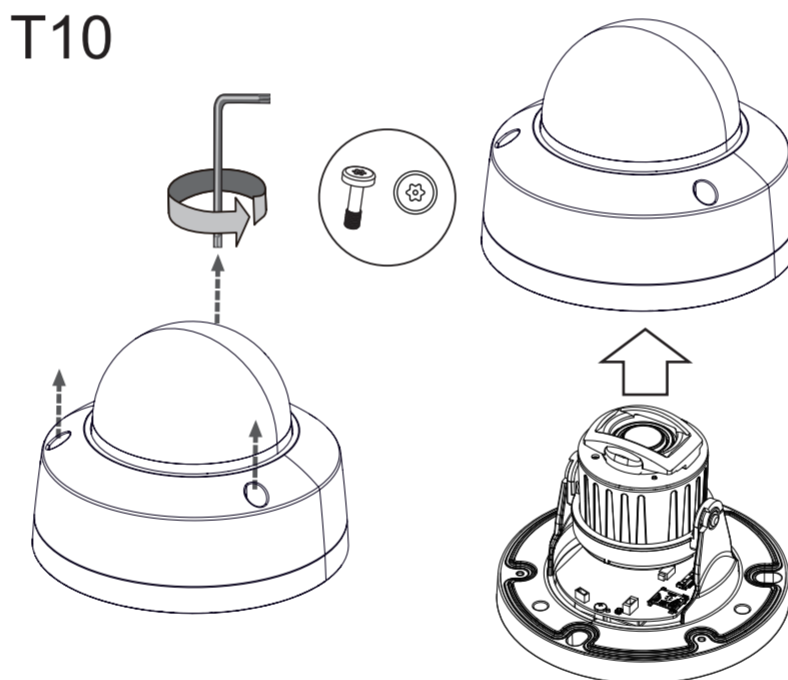


- 1** If mounting the camera prior to initial setup with the NVR, it is recommended to record the following information:

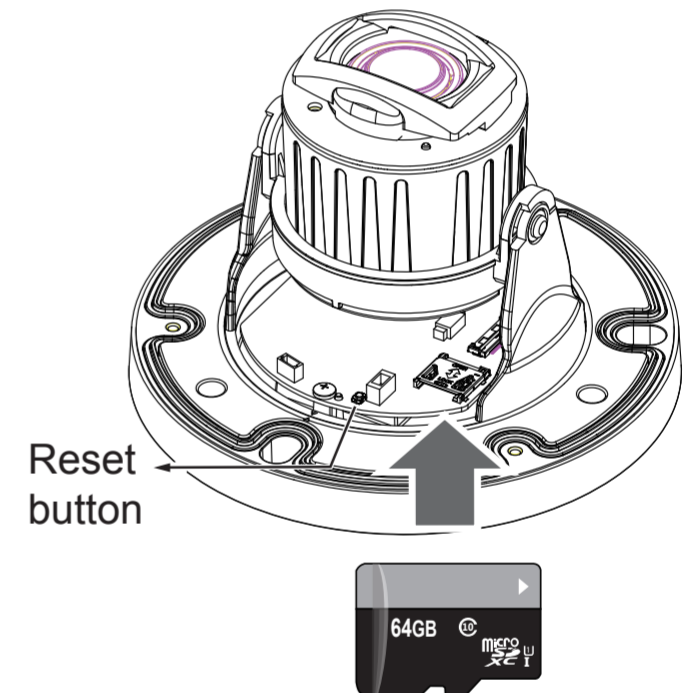
1. Model number
2. MAC address
3. Mounting location on the facility



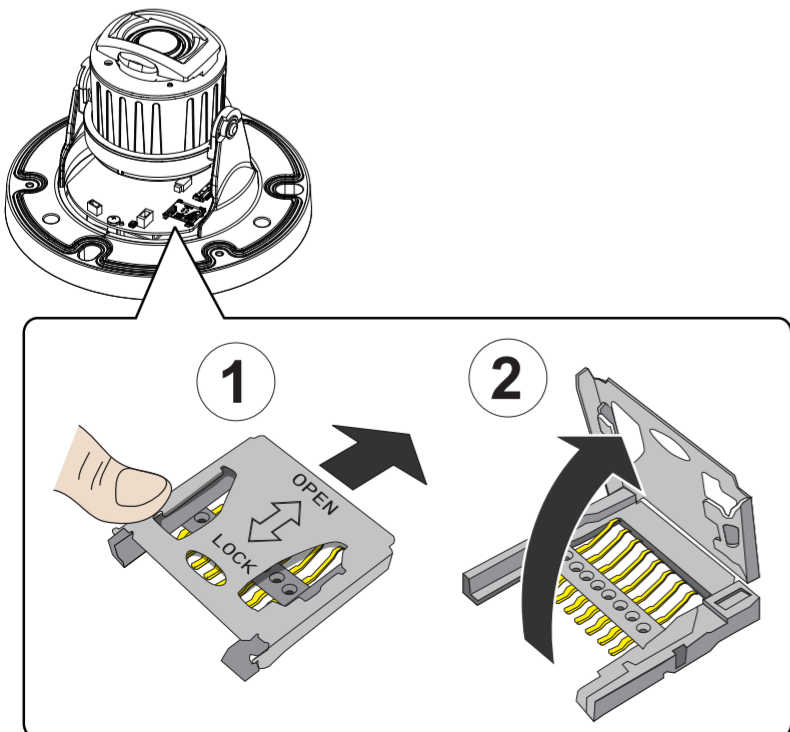
- 2** Use the T10 wrench to loosen the retention screws and remove the top cover.



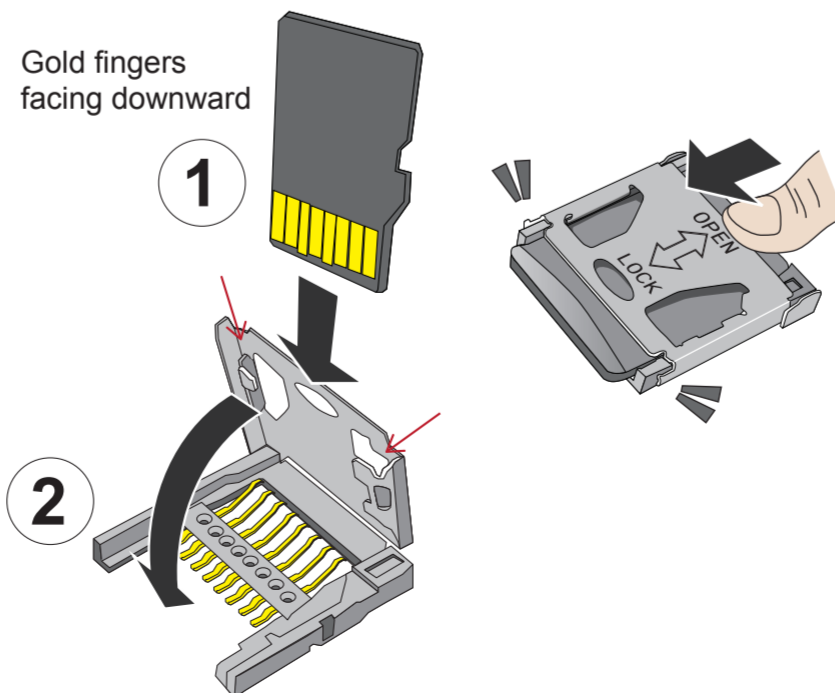
- 3** Install a MicroSD card if onboard storage is preferred.



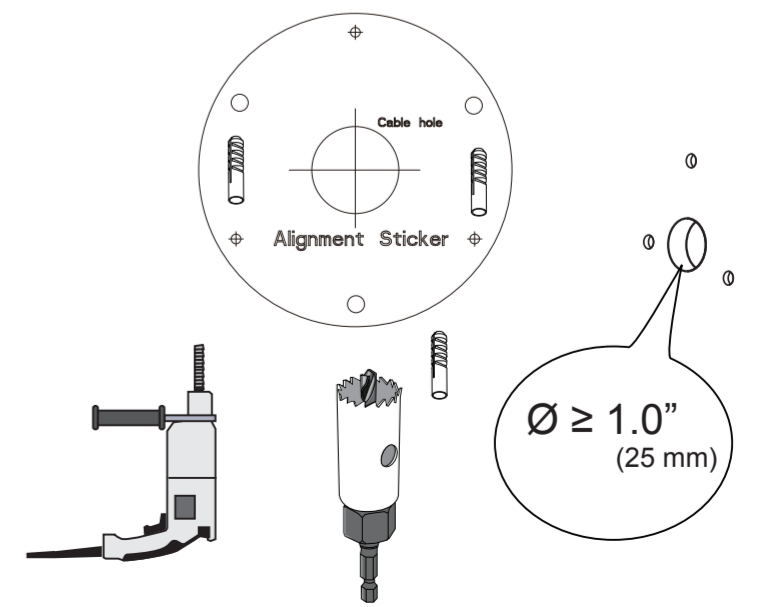
- 3-1** Open the SD card socket shell by pushing it backward, towards the OPEN position.



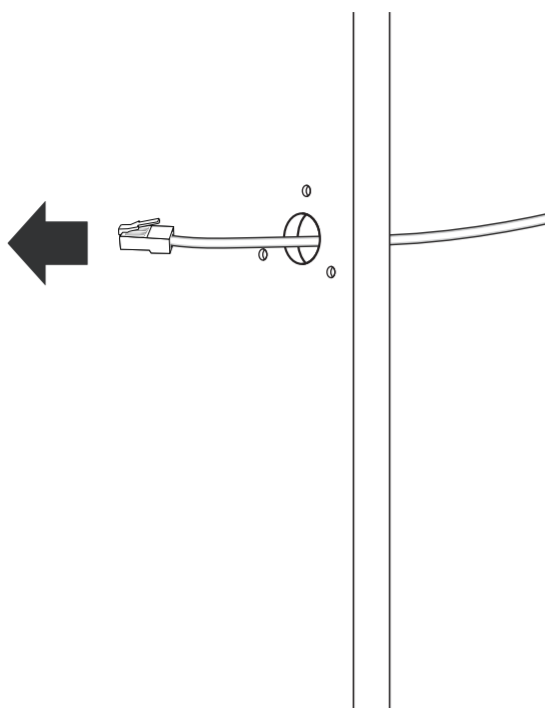
- 3-2** Insert an SD card into the grooves on the outer shell. Press the outer shell down. Slide the outer shell towards the LOCK position. The shell should snap into place.



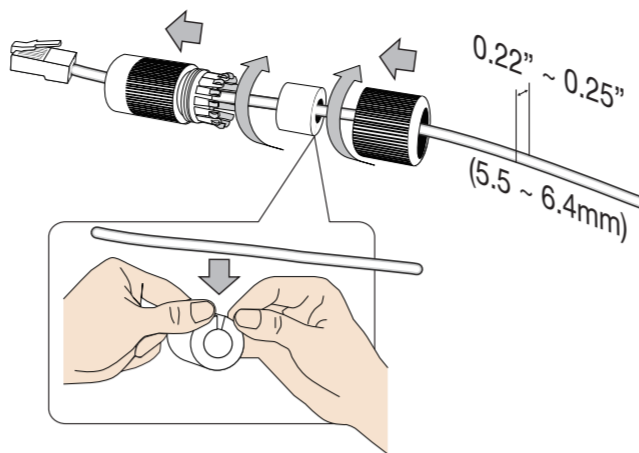
- 4** Use the included alignment sticker to drill holes on the wall. If preferred, drill a routing hole on the wall. The anchors may not be necessary if you install the camera on a wooden wall or calcium silicate board.



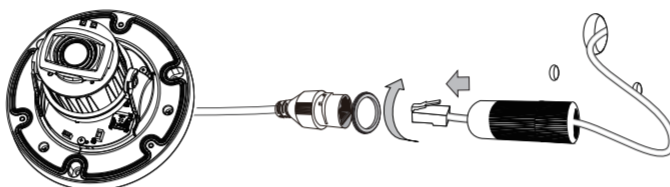
- 5** Route the cables through the routing hole. If you are using the 12V DC power, use putties to seal the cable joints for water-proofing.



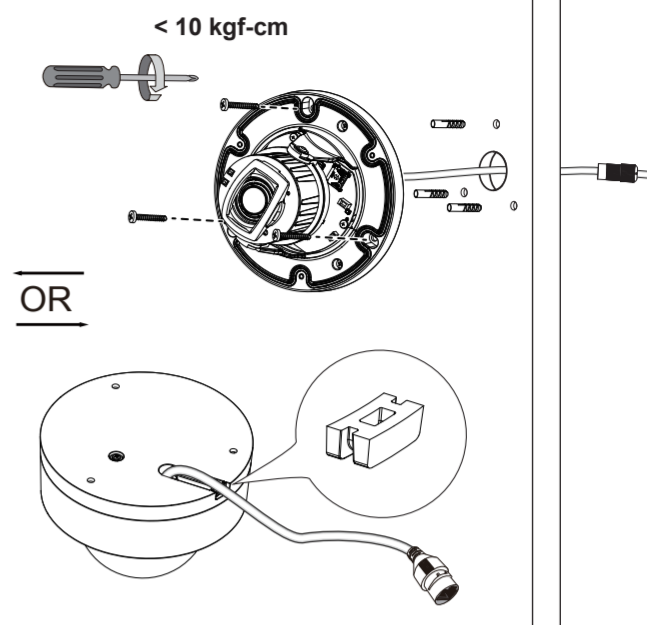
- 6** Disassemble the cable gland and install the waterproof seal components to an Ethernet cable.



Connect the Ethernet cable to the camera's RJ45 connector. Fasten the waterproof seal components.

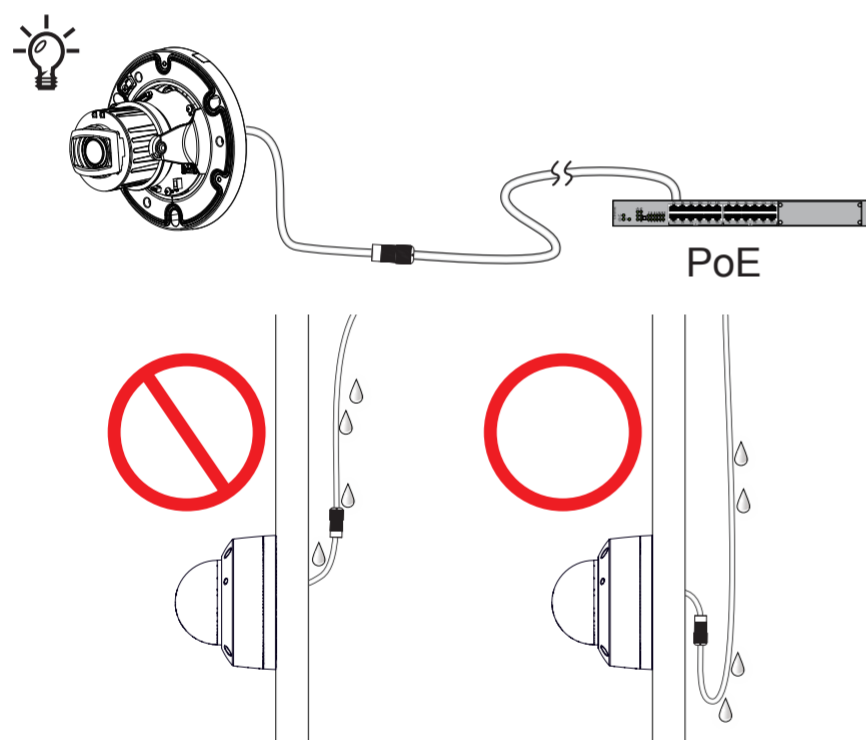


- 7** Secure the camera to wall/ceiling using the included screws. You may also route the cables through an opening at the side of the camera base by removing the side lid.

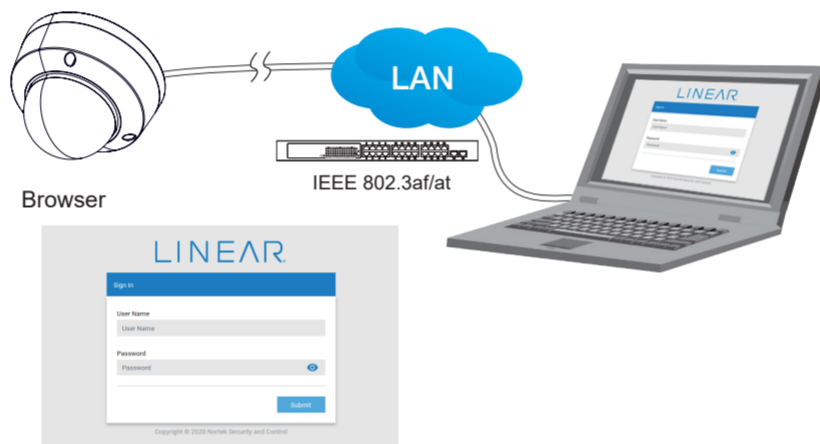


NOTE: Side opening not intended for outdoor use.

- 8** It is best to form a drip loop on the back-end cables. In some cases, moisture might condense into water drops and eventually cause problems.



- 9** Double-click on the camera's MAC address to open a web console to the camera.



NOTE

1. The camera requires IEEE 802.3af/at PoE power to function properly. Use Only UL listed I.T.E active PoE Switch or Mid-Span.

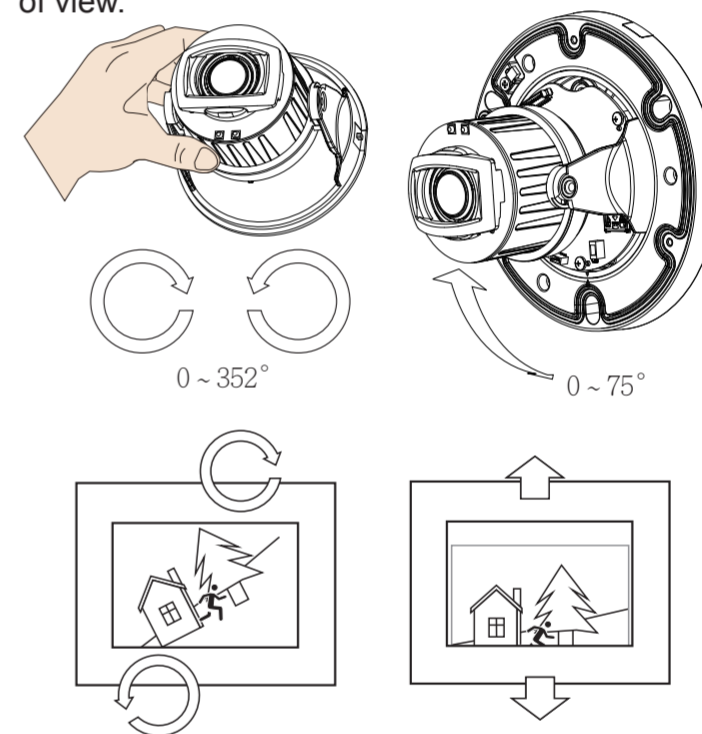
- IV400 also includes 12vdc power input connection.

When connected to a Linear NVR directly or over the network, the NVR will automatically find the camera regardless of IP network settings.

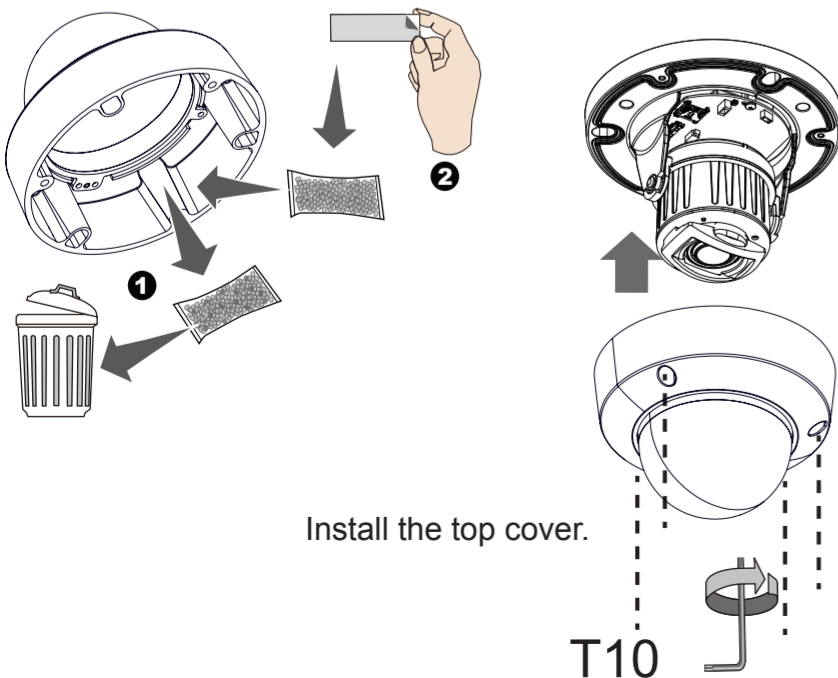
For direct camera login and management, open a browser to the default IP Address of 192.168.0.230 username= admin, password = linear

Only one camera should be configured at a time to avoid default IP Address conflicts.

- 10** With a live view, pan, tilt, or rotate the lens module to adjust the shooting direction and acquire the best field of view.



- 11** Replace the existing desiccant bag with the new desiccant bag supplied in the silver pouch, Use the supplied tape to secure the bag in place.



Install the top cover.

T10

For additional information, download User Manual from linear-solutions.com/product-manuals

LINEAR

NORTEK CONTROL

Technical Support: (800) 421-1587 • M – F 8am – 7pm EST
Sales & Customer Service: (800) 543-4283 • M – F 8am – 7pm EST
www.linear-solutions.com

©2022 Nortek Security & Control LLC. All rights reserved. Linear is a registered trademark of Nortek Security & Control LLC.
Nortek Security & Control LLC, 5919 Sea Otter Place, Suite 100, Carlsbad, CA 92010 USA