

# KALLISTA®

Barbara Barry  
Cast Iron Bathtub  
P50014-BA

## Features

- Drop-in or undermount installation
- Required waste and overflow (P21573-00) sold separately
- 60" (1524 mm) total length
- 32" (813 mm) total width
- 18-1/4" (464 mm) total height
- Optional under-mount installation kit (P50018-00-NA) sold separately

## Material

- KOHLER® enameled cast iron

## Required Products/Accessories

P21573-00 Waste and Overflow

or

P21575-00 Original Waste and Overflow

## Recommended Products/Accessories

P50047-00 Small Rectangular Bathtub

P21931-00 Traditional Drain Trim Kit



**ADA**

## Codes/Standards

ASME A112.19.7/CSA B45.10

ASME A112.19.1/CSA B45.2

CSA C22.2 No. 218.2

ADA

ICC/ANSI A117.1

## KALLISTA® Five-Year Limited Warranty

See website for detailed warranty  
information.

## Available Colors/Finishes

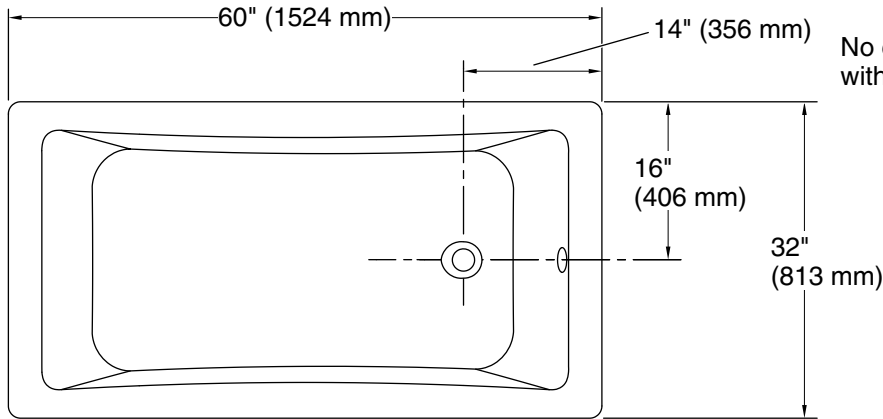
*Color tiles intended for reference only.*

Color Code Description

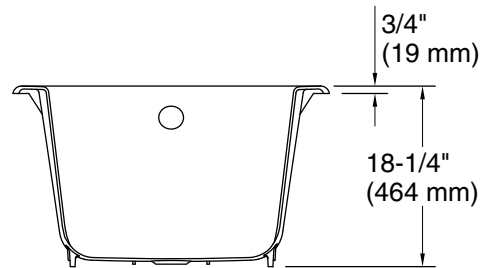
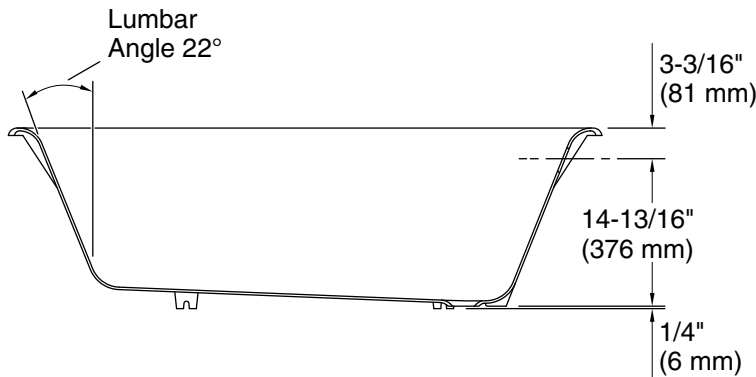
 0 Stucco White

# KALLISTA

Barbara Barry  
Cast Iron Bathtub  
P50014-BA



No change in measurements if connected with drain illustrated. (P21573-00-CP)



## Technical Information

All product dimensions are nominal.

Drain location: Center

## Notes

Measure your actual product for rough-in details.

Install this product according to the installation instructions.

The hot water supply should be 70% of the capacity of the bath or greater.

Installations will vary.

ADA compliant when installed to the specific requirements of these regulations.