

## 3.5 Gallon UN Pail with UN Short Skirt Cover

Note: \*Rated for Liquids Y1.5/30 and Solids Y43/S and Solids Y43/S for Packing Group II and III (USA and Canada)

**Multiple Uses**    **Product Codes**  
 Dry Products      Pail: 5300 Series  
 Liquid Products    Description: 3.5 Gallon UN Pail

Cover: 2500 Series  
 Description: UN Short Skirt Cover  
 Note: \*Multiple fitting and venting options available

### Features

Gauge: 90 mil  
 Nominal capacity: 3.5G / 13.2L  
 Stack performance: 350 lbs.\*  
 Tare weights:    Body: 1.6 lbs. / 723 gr.  
                           Cover: .77 lbs. / 349 gr.

Note: \*Ratings will be reduced with uneven load distribution.

### Specifications with Cover

Dimensions: 12 5/16"D x 10 3/4"H  
 Maximum capacity: 3.6 USG / 13.6 L  
 Tare weight: 2.37 lbs. / 1.07 kgs.

### Colors

Standard: White, Black and Natural  
 Custom: Available at manufacturer's discretion

### Decorating Options

Four color offset printing  
 Print area: 33"W X 5-3/4"H  
 Sleeve or pressure sensitive labeling

### Shipping Data

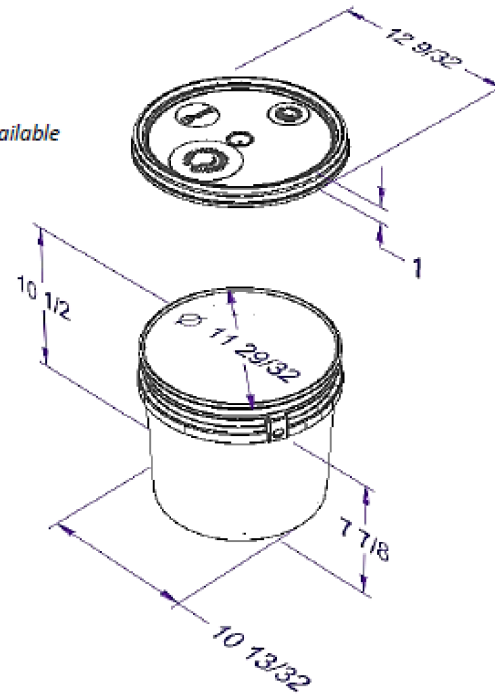
	<b>Bodies</b>	<b>Covers</b>
Qty. per pallet/carton:	288*	1,200
Gross Weight (lbs./kgs.)**:	460.8/209	924/419
Length (in./cm.):	50/127	49.5/125.7
Width (in./cm.):	38.5/97.8	40/101.6
Height (in./cm.):	81/205.7	98/249
Approximate truckload quantity of 6,300 pails and covers***		

### Filled Containers

36 (12 per layer/3 layers high)  
 Pallet height: 33"

### Notes:

- \*Quantity can vary based on customer request
- \*\*Weight does not include pallet/packaging
- \*\*\*Based on 53' trailer and full pallet quantities



### Materials

FDA approved materials  
 Resin: Body: High-Density Polyethylene (HDPE) Cover: High-Density Polyethylene (HDPE)  
 MSDS Sheets available upon request

Optional Carrying Handle – Wire or Plastic

### DISCLAIMER

THIS INFORMATION IS PROVIDED AS A GENERAL GUIDE, INCLUDING DIMENSIONS. IT IS THE CUSTOMER'S RESPONSIBILITIES TO SELECT THE PROPER CONTAINER FOR PRODUCT AND APPLICATION COMPATIBILITY.

DISTRIBUTED BY:



REF NO.:

DWG10141

DESCRIPTION:

3.5 gallon HDPE Open Head Pail