

**PVC SYSTEMS INCLUDE:**

- 8 Fully directional adjustable flow PVC jets
- Anti-vortex safety suction
- Color matched system trim
- HydroOzone ozone sanitation system
- Rigid PVC piping
- Self draining pump and system
- Soft Touch electronic on/off control with 30-minute integral times
- 2.25 HP single speed pump
- Cable waste and overflow



Standard Grab Bar



Linear Waste and Overflow



LED Chromotherapy System

**OPTIONS:** ([MORE INFORMATION AVAILABLE ON OUR WEBSITE](#))

- Additional Jets
  - Directional or Swirling
- Back Masseur Systems
- Chromotherapy System
- Cold Plunge
- Custom Jet and Pump Location
- Electronic Low Water Protection
- Extra High Density
- Grab Bars (Standard or Universal)
- Hydro Blanket
- Hydro Coat
- Hydro Express Quick Ship
- Hydro Fusion
- Hydro Indulge
- HydroOzone UV Combo System
- In-line Heater
- Integral Waste and Overflow
  - Round or Linear
- Jumbo Jets
  - Directional or Rotating
- LED Temp. Readout Keypad
- Micro Mount
- Micro Therapy Jets
- Neck Masseur Pillow
- Padded Headrest Pillow (Black Only)
- Remote Controller
- Skirt (1-4 sided)
- Tile Flanges (1-4 sided)

**STANDARD ELECTRICAL REQUIREMENTS:**

- Whirlpool System | One 20 Amp Dedicated Circuit
- Thermal Air System | One 15 Amp Dedicated Circuit
- Combo System | One 15 Amp Dedicated Circuit and One 20 Amp Dedicated Circuit
- Indulge System | One 15 Amp Dedicated Circuit
- Hydro Fusion (600 or 1500 Watts) | One 15 Amp Dedicated Circuit
- Inline Heater (600 or 1500 Watts) | One 15 Amp Dedicated Circuit

*\*All electrical components come standard at 115 volts\**

*\*All electrical circuits must be GFCI protected\**

# VICTORIA

DESIGNER COLLECTION

# H|S

**As SHOWN:**

Whirlpool option

**FEATURES SHOWN:**

- Overflow location
- Standard jet location

**ALSO AVAILABLE:**

- Soaking tub only
- Thermal Air
- Combo

**BACKSLOPE:**

40 degrees, 25 degrees



**WATER CAPACITY:**

105 Gallons

\*Tub must be set in mortar base\*

**WEIGHT:**

140-180 Pounds depending on system

**DROP-IN INSTALLATION DIMENSIONS:**

- (L)ength- 70.5"
- (W)idth- 46"
- Finish (H)eight- 21"

**ACRYLIC TUB**

- Acrylic models finished in 1/8" thick layer of deep lustrous acrylic
- Pre-wired pump on pump platform (standard pump location only)
- Integral E-Z level platform facilitates installation
- Micro mount reduces lip height by approximately 3/8" to 5/8"
- Micro mount requires increase in framing height by an additional 1-1/4"
- Installation videos available on our [website](#).

**3-WALL INSTALLATION DIMENSIONS:**

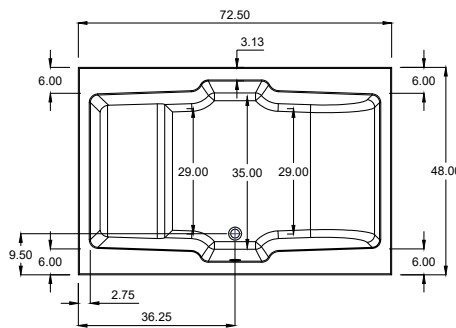
- (L)ength- 72.5"
- (W)idth- 48"
- Top of Ledger- 22.75"

**INSTALLATION TIPS:**

- When adding integral linear drain p-trap location is now below waste
- Adding multiple systems/options may require equipment to stick out from tub deck or be installed remotely

**CODES AND COMPLIANCES**

Massachusetts code File no: P1-0614-491



**Optional Equipment Dimensions**

- Whirlpool Pump: 12"(H) x 16"(L)
- Thermal Air Blower: 5"(H) x 11"(L)
- Hydro Fusion: 7"(H) x 15.5"(L)
- Hydro Indulge: 11"(H) x 19"(L)

