

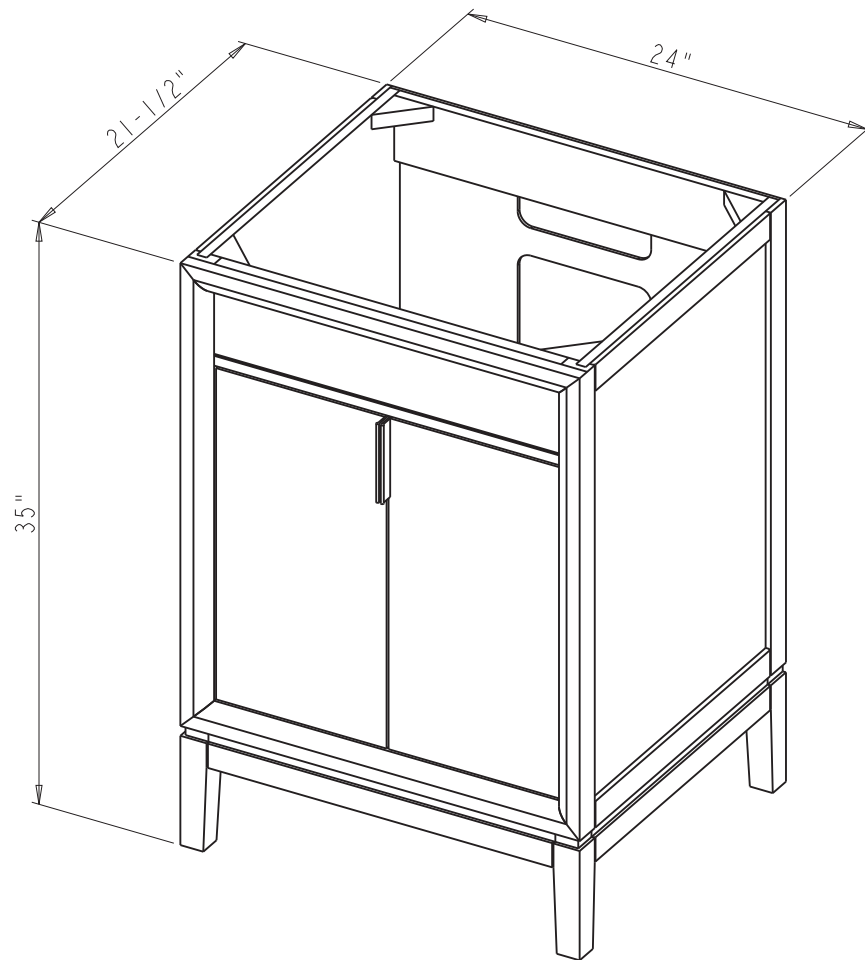
ADJUSTABLE-SHELF


Specification:

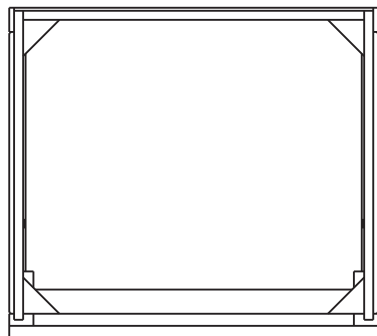
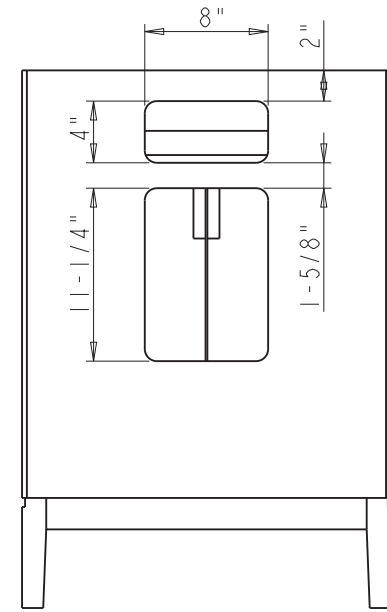
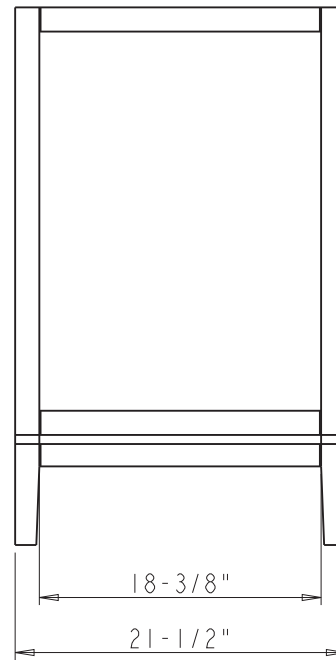
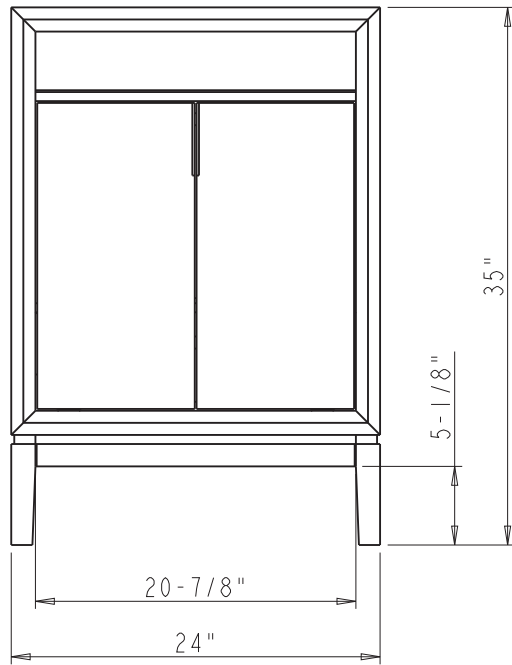
1. Material: MDF + Plywood + Birch
2. Finish: See Table
3. Hardware: See Table
4. Slides: USE58-300-18 + US-CLIP-4W (1 Set)
5. Hinge: 700.0537.25 + 600.1234.05 (4 Set)
6. Shelf Supports: 1707BN (4 PCS)
7. The tolerance is +/- 1/8"


Item number	Finish	Deco Hardware	
		Item number	Qty
VN2THE-24-BK-NT	Black	A500-4PC	2
VN2THE-24-BL-NT	Blue	A500-4ABG	2
VN2THE-24-BS-NT	Bule Steel	A500-4PC	2
VN2THE-24-GR-NT	Grey	A500-4PC	2
VN2THE-24-WH-NT	White	A500-4PC	2
VN2THE-24-DW-NT	Dark Walnut	A500-4ABG	2
VN2THE-24-NO-NT	Natural Oak	A500-4MB	2

<p>hardware resources</p> <p>PROPRIETARY AND CONFIDENTIAL</p> <p>THE INFORMATION CONTAINED IN THIS DRAWING IS THE SOLE PROPERTY OF HARDWARE RESOURCES INC. ANY REPRODUCTION IN PART OR AS A WHOLE WITHOUT THE WRITTEN PERMISSION OF HARDWARE RESOURCES INC. IS PROHIBITED.</p> <p>DO NOT SCALE DRAWING</p>	ITEM:	VN2THE-24		MATERIAL:		
	FINISH:			WEIGHT:	9	
				PROJECTION		
	TOLERANCE UNLESS OTHERWISE SPECIFIED:	UNITS:	DRAWN BY:	DATE:		
X ±0.20		<i>Hugo.cai</i>	May-18-21			
X.X ±0.10	SIZE:	APPROVED BY:	DATE:			
X.XX ±0.05	SHEET:	RELEASE LEVEL:	REVISION:			
ANGULAR: ±0.5°						



 <p>hardware resources</p> <p>PROPRIETARY AND CONFIDENTIAL</p> <p>THE INFORMATION CONTAINED IN THIS DRAWING IS THE SOLE PROPERTY OF HARDWARE RESOURCES INC. ANY REPRODUCTION IN PART OR AS A WHOLE WITHOUT THE WRITTEN PERMISSION OF HARDWARE RESOURCES INC. IS PROHIBITED.</p>	ITEM#: VN2THE - 24		MATERIAL:	
	FINISH:		WEIGHT: 9	
	TOLERANCE UNLESS OTHERWISE SPECIFIED: X ±0.20 X.X ±0.10 X.XX ±0.05 ANGULAR: ±0.5°		UNITS:	
DO NOT SCALE DRAWING		DRAWN BY: Tony.Huang		DATE: May-20-21
		APPROVED BY:		DATE:
		RELEASE LEVEL:		REVISION:



	ITEM#: VN2THE - 24		MATERIAL:	
	FINISH:		WEIGHT:	
<p>PROPRIETARY AND CONFIDENTIAL</p> <p>THE INFORMATION CONTAINED IN THIS DRAWING IS THE SOLE PROPERTY OF HARDWARE RESOURCES INC. ANY REPRODUCTION IN PART OR AS A WHOLE WITHOUT THE WRITTEN PERMISSION OF HARDWARE RESOURCES INC. IS PROHIBITED.</p>	UNITS:		DRAWN BY:	DATE:
	TOLERANCE UNLESS OTHERWISE SPECIFIED:		<i>Tony.Huang</i>	
	SIZE:		APPROVED BY:	DATE:
	ANGULAR: ±0.5°		RELEASE LEVEL:	REVISION:
DO NOT SCALE DRAWING		SHEET:		9