

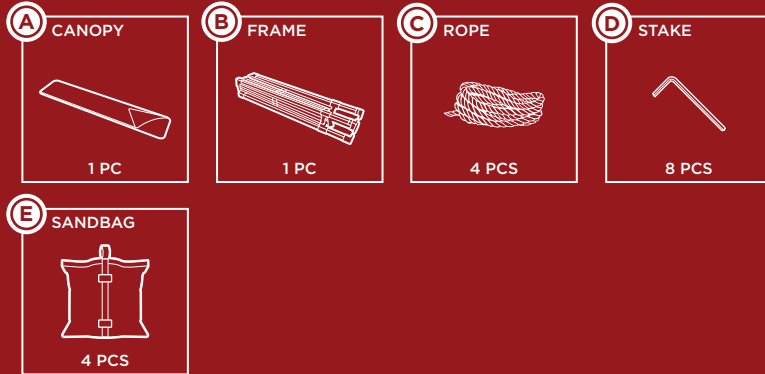


12 x 12ft One Button Pop-Up Canopy

SKY7662 + SKY7663 + SKY7665 + SKY7666 + SKY7667 + SKY7668 + SKY766
SKY7670 + SKY7671 + SKY7672 + SKY7673 + SKY7674 + SKY7829 + SKY7830
SKY7831 + SKY7832 + SKY7833 + SKY7834 + SKY7835 + SKY7836 + SKY7837
SKY7838 + SKY7839 + SKY7840 + SKY9641 + SKY9642 + SKY9643 + SKY9644
SKY9645 + SKY9646 + SKY9647 + SKY9648 + SKY9649

Ver. 1

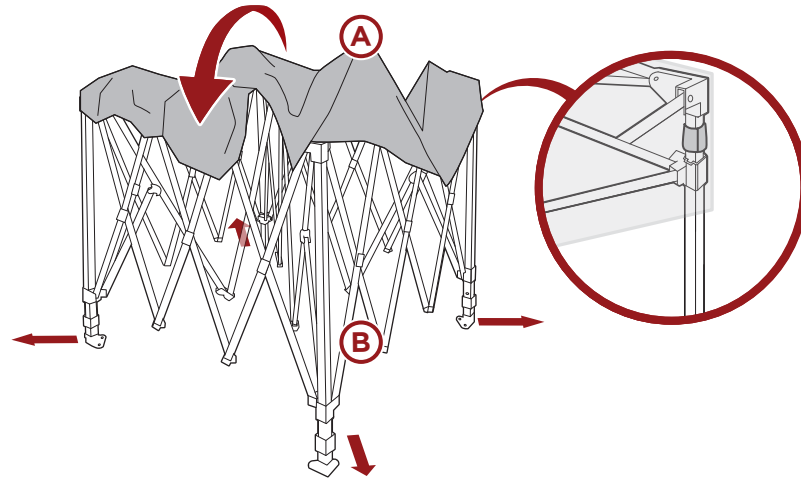
PARTS



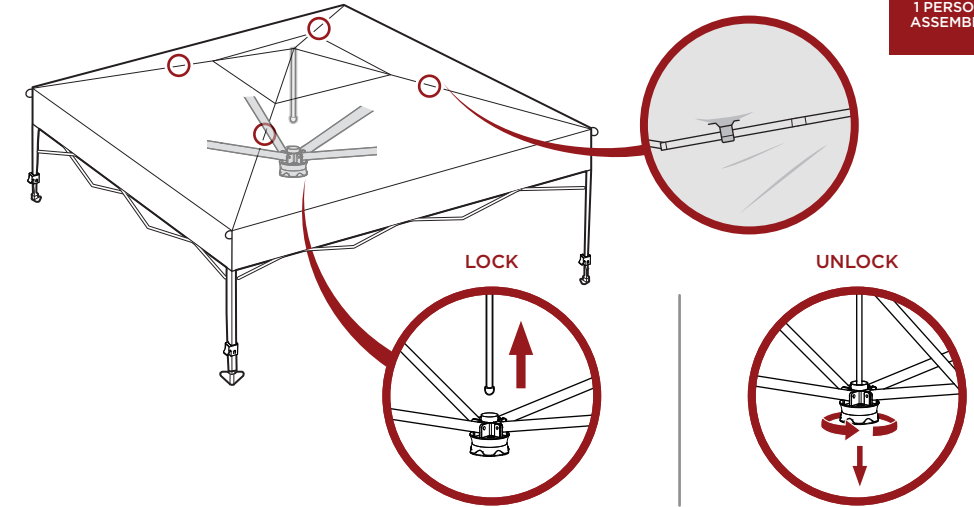
⚠ WARNING

- Be careful not to pinch hands or appendages during assembly.
- It is recommended that you use the ropes and stakes to secure the canopy.
- Canopy should not be left up in the rain. This product is not intended to withstand constant rain or inclement weather.
- This product is not intended to withstand periods of extreme/high wind or inclement weather.
- When not in use, this product should remain closed and stored away to avoid potential damage.
- This product is intended for residential use only.

- 1** Drape **part A canopy** over **part B frame**.
Make sure to secure the corners with the attached adhesive strips.



- 2** Push the middle button into the pole until it locks.
Secure the canopy with the attached adhesive strips.

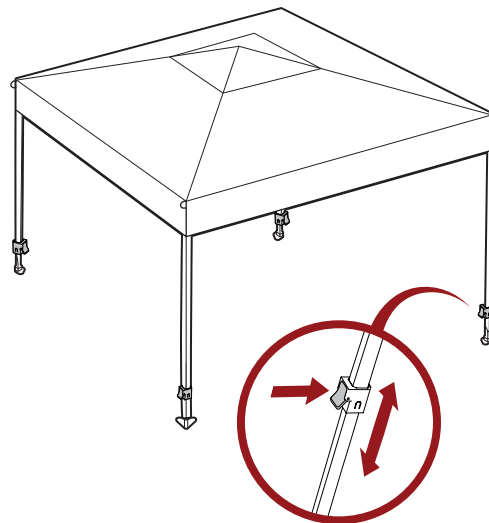


1 PERSON
ASSEMBLY

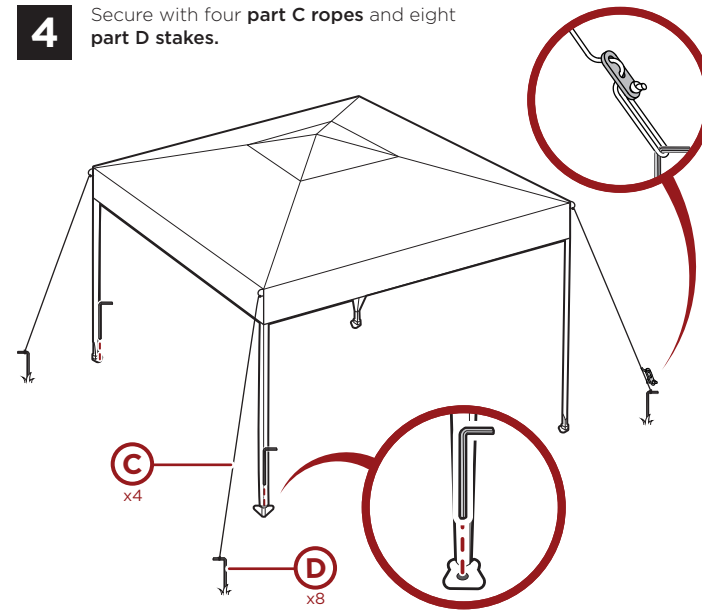


UP TO 10 MIN.
ASSEMBLY

- 3** Push the tabs on the legs and extend to your desired height.



- 4** Secure with four **part C ropes** and eight **part D stakes**.



- 5** Fill four **part E sandbags** with clean sand, then use the self-adhering strips to secure one sand bag to each **part A canopy leg**.

