

IN41323, IN41324, IN41328, IN41329 INSTALLATION INSTRUCTIONS

1500 Cherokee Parkway, Suite 100, Acworth, GA 30102
Phone: (866) 845-5451. Fax: (866) 816-6165
www.acclaim-lighting.com

ACCLAIM
LIGHTING
INTERIOR • OUTDOOR

Please read carefully and save these instructions as you may need them a later date.

CAUTION

Turn off the main power at the circuit breaker before installing the fixture in order to prevent possible shock.

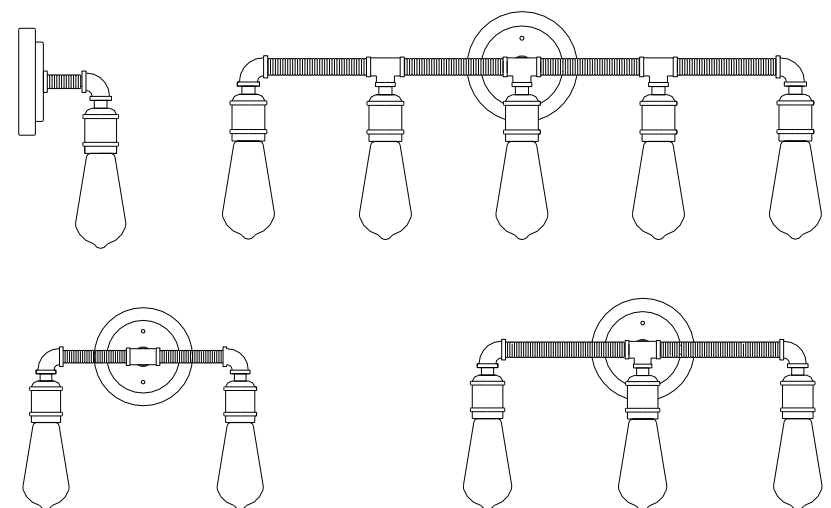
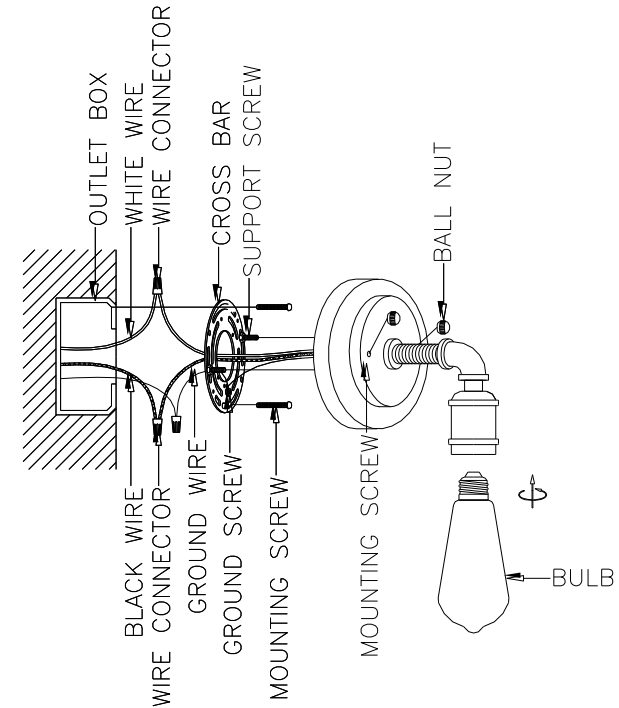
GENERAL

All electrical connections must be in accordance with local and National Electrical Code (N.E.C) standards. If you are unfamiliar with proper electrical wiring connections obtain the services of a qualified electrician.

Remove the fixture and the mounting package from the box and make sure that no parts are missing by referencing the illustration.

ASSEMBLY AND INSTALLATION

1. Secure the cross bar to the outlet box with mounting screws.
2. Pull out the outlet wire and ground wire from the Outlet Box.
3. Make wire connections:
 - White wire from light to White Wire from power source.
 - Black wire from light to Black Wire from power source.
 - Attach the Ground Wire to Mounting bar with a Green Screw.
4. Thread the support screws through the holes of the back plate, secure them with the ball nuts.
5. Install bulbs: (Bulbs not included)
(Don't exceed the maximum capacity recommended on the sockets).



INSTALLATION IS NOW COMPLETED.