

ASSEMBLY INSTRUCTION

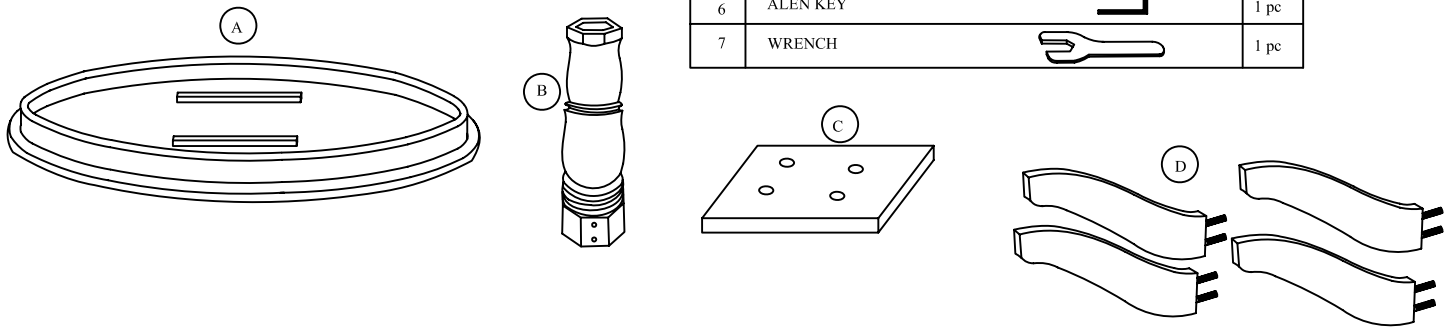
MODEL : 122D901W (3A) / 122D902W (3A)

DESCRIPTION : 42" ROUND DINING TABLE

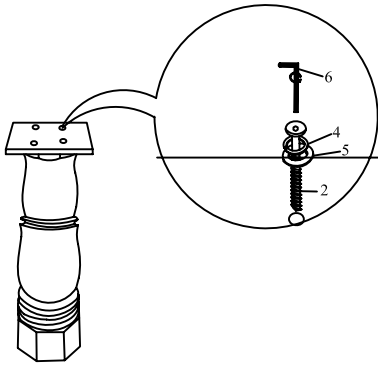
Read this instruction carefully. Refer hardware and furniture parts list for guidance. Be sure all parts are complete before assembling. Place all wooden furniture part on a clean and flat soft surface to prevent scratches. Refer steps provided as assembling guide.

PART LIST		
ITEM	DESCRIPTION	QTY
A	TABLE TOP	1 pc
B	PEDESTAL	1 pc
C	MOUNTING PLATE	1 pc
D	LEG	4 pcs

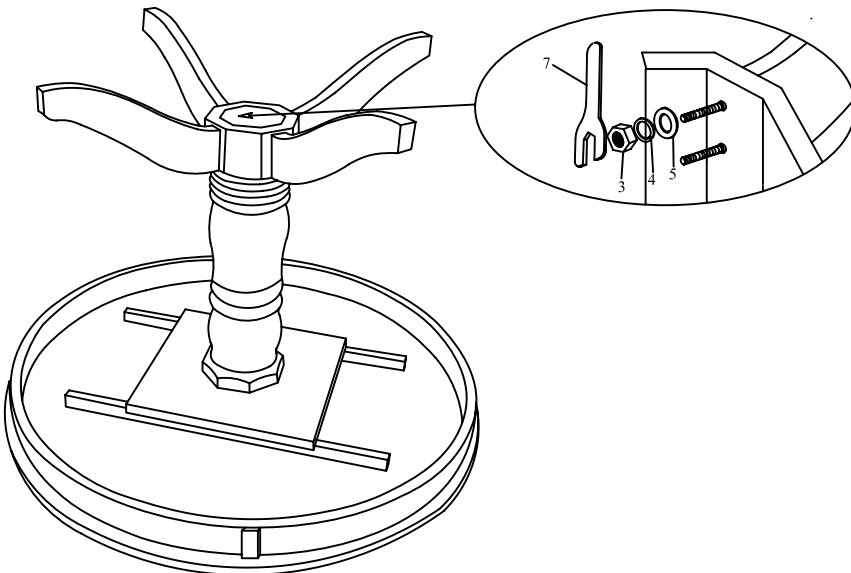
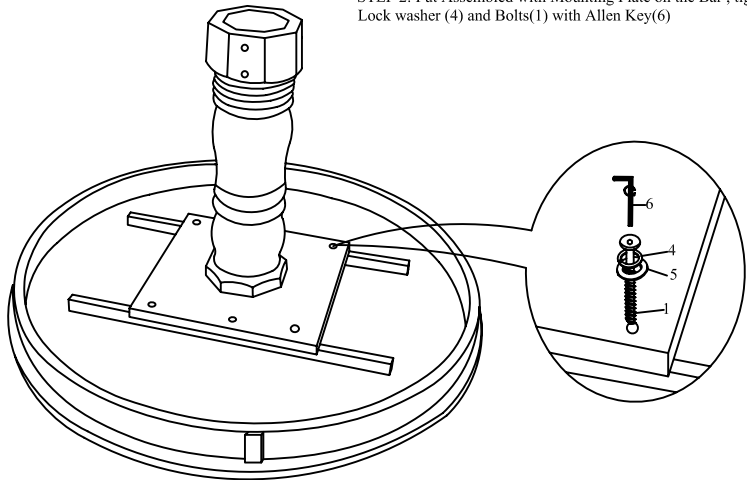
HARDWARE LIST		
ITEM	DESCRIPTION	QTY
1	BOLT ϕ 1/4" X 40mm	6 pcs
2	BOLT ϕ 5/16" X 40mm	4 pcs
3	HEX NUT ϕ 5/16" X 12mm	8 pcs
4	LOCK WASHER ϕ 5/16" X 1/2"	18 pcs
5	FLAT WASHER ϕ 5/16" X 1/2"	18 pcs
6	ALLEN KEY	1 pc
7	WRENCH	1 pc



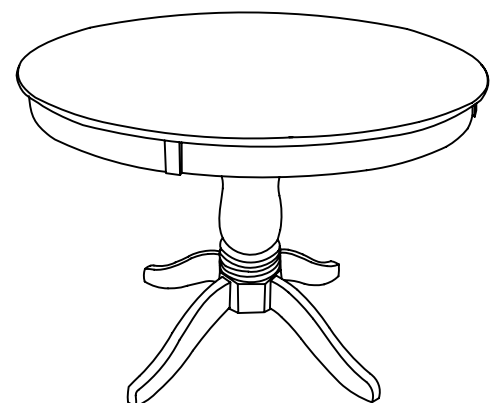
STEP 1 : Attach Mounting Plate (C) on the top of Pedestal (B), tighten with Flat Washer (5), Lock Washer (4) and Bolt (2) with allen Key (6)



STEP 2: Put Assembled with Mounting Plate on the Bar , tighten with Flate(5), Lock washer (4) and Bolts(1) with Allen Key(6)



STEP 3: Attach the Leg (D) to the Pedestal (B), tighten all with Flat Washer (5), Lock Washer(4) and Hex Nut (3) with Wrench(7)



NOTE: DO NOT TIGHTEN UNTILL COMPLETELY ASSEMBLE.