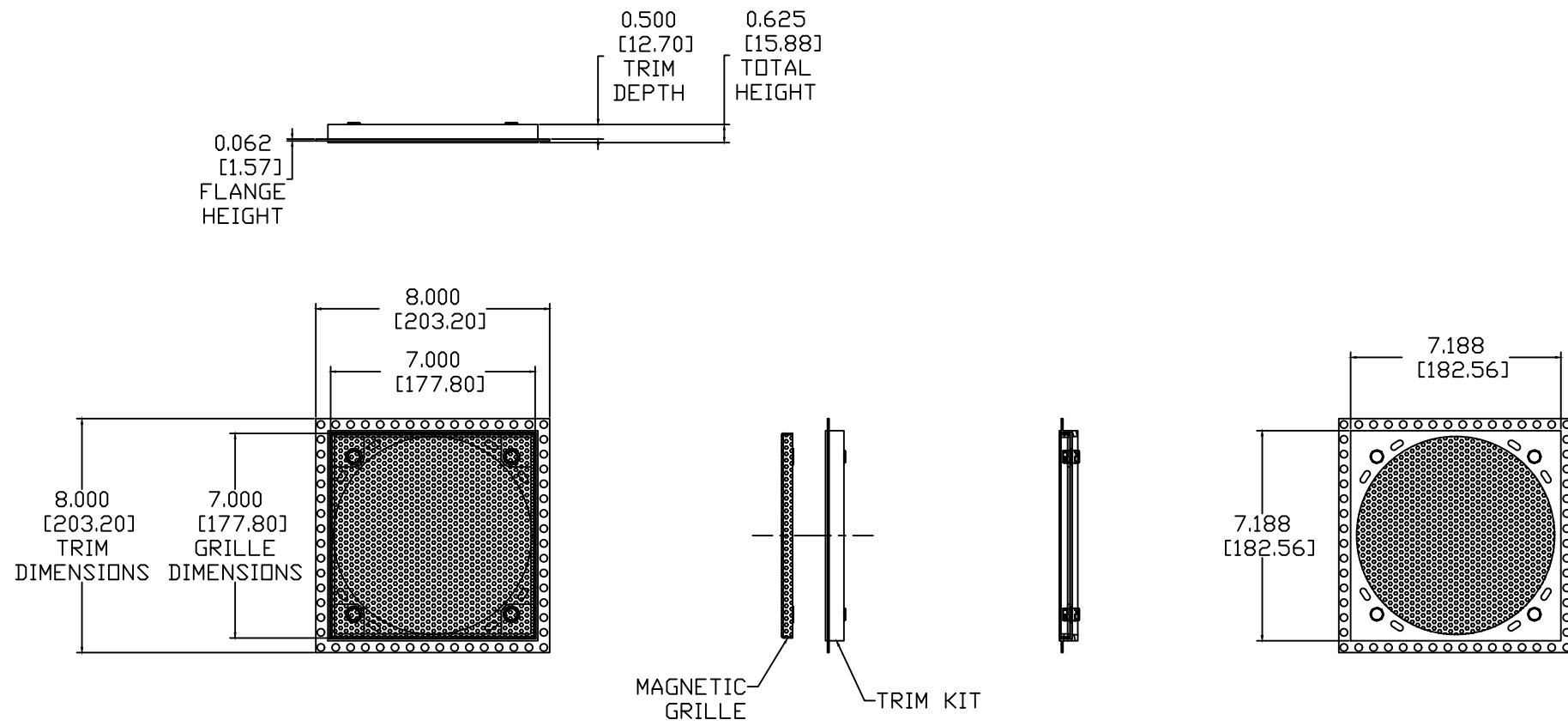
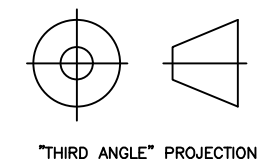


REVISIONS				
ECN	REV.	DESCRIPTION	DATE	APPROVED
	A	RELEASE FOR PRODUCTION	03-01-24	



NOTES:

- 1: MATERIAL - 5052 ALUMINUM
UNLESS OTHERWISE SPECIFIED
- 2: FINISH:
TRIM KIT - GLOSS WHITE POWDER COAT WITH BLACKED OUT RECESS
GRILLE - GLOSS WHITE POWDER COAT
GRILLE FRAME - SATIN BLACK POWDER COAT
UNLESS OTHERWISE SPECIFIED
- 3: SPACERS REQUIRED FOR SHEETROCK/SURFACE MATERIAL THICKER THAN 1/2"



"THIRD ANGLE" PROJECTION

PROPRIETARY INFORMATION
THE DESIGNS, INFORMATION, AND DATA CONTAINED HEREIN ARE PROPRIETARY AND ARE SUBMITTED IN CONFIDENCE, AND SHALL NOT BE DISCLOSED, USED OR DUPLICATED IN WHOLE OR IN PART, FOR ANY PURPOSES WHATSOEVER, WITHOUT THE PRIOR WRITTEN PERMISSION OF JAMES LOUDSPEAKER LLC, 2185 PARK PL, MINDEN, NV 89423. THIS LEGEND SHALL BE MARKED ON ANY REPRODUCTIONS HEREOF IN WHOLE OR IN PART. RECEIPT OF THIS DOCUMENT SHALL BE DEEMED TO BE AN ACCEPTANCE OF THE CONDITIONS SPECIFIED HEREIN.

JAMES LOUDSPEAKER

SA853QT

7" SQUARE SHEETROCK TRIM ASSEMBLY

P/N: SA7-GRILLE-S-SR

DWR #: 240301-S201

REVISED BY:

DRAWN BY: S. LDESCH

DATE: 03-01-24

APPROVED:

DRAFTING APPROVED:

SCALE:

TOLERANCES: ANG: ± = .5° FRACT. ± = 1/32
DECIMALS: .XX ± = .01 .XXX ± = .005

REVISION: A