

Installation Instructions

Enameled Cast Iron Bath

Record your model number:
Noter le numéro de modèle:
Anoté su número de modelo: _____

Français, page 10
Español, página 18

KOHLER[®]

Thank You for Choosing KOHLER

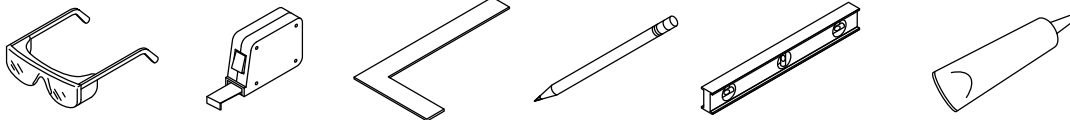
Need help? Contact our Customer Care Center.

- USA/Canada: 1-800-4KOHLER (1-800-456-4537) Mexico: 001-800-456-4537
- Service parts: kohler.com/serviceparts
- Care and cleaning: kohler.com/clean
- Patents: kohlercompany.com/patents

Warranty

This product is covered under the KOHLER® Enameled Cast Iron Bath and Shower Base Lifetime Limited Warranty, found at kohler.com/warranty. For a hardcopy of warranty terms, contact the Customer Care Center.

Tools and Materials





100% Silicone Sealant

Plus:

- Conventional woodworking tools and materials
- Drop cloth
- Metal shims

Before You Begin

 **CAUTION: Risk of personal injury.** This bath is extremely heavy. Obtain sufficient help and use lifting straps to lift or move the bath.

 **CAUTION: Risk of product damage.** Do not drill into the enameled surface of the bath.

IMPORTANT! Provide adequate floor support. Refer to the Specification Sheet for specific floor loading requirements.

IMPORTANT! Do not support the bath by the rim. The bath must only be supported by the feet.

IMPORTANT! Install the bath to an adequately supported, level finished floor.

IMPORTANT! If welding is required, cover the bath's surface to prevent welding deposits from damaging the enameled surface.

IMPORTANT! Not recommended for installation in a continuously wet environment.

IMPORTANT! The bath must be installed indoors.

IMPORTANT! Drain parts are included in a small box within the carton. Locate and retain the small box before discarding the carton and packing material.

Follow all local plumbing and building codes.

Unpack and inspect the product for damage. Return the product to the carton until installation.

To simplify future maintenance, provide access to plumbing connections.

This bath will not easily fit through doorways. Carefully plan how to move the bath into the installation area.

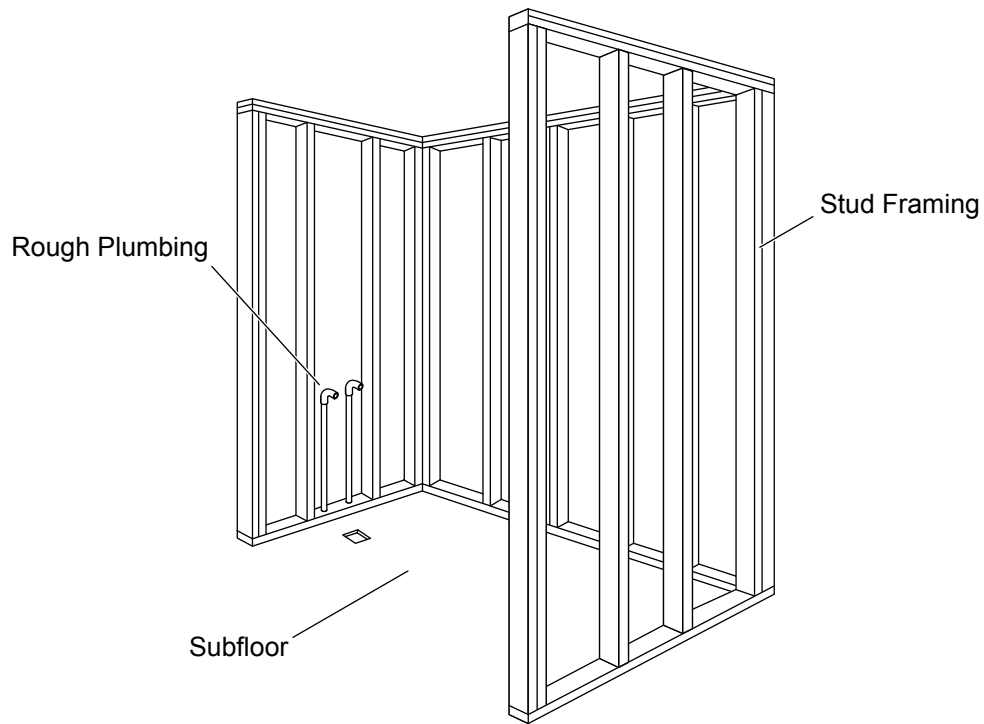
This bath is designed for alcove installation.

Apron baths are not reversible. If the drain and the faucet supplies are located on the left end of the alcove area, the installation requires a left-outlet bath.

Your product may appear different than the one illustrated. The installation procedure is the same.

This bath conforms to CSA B45.5/IAPMO Z124.

1. Prepare the Site



Alcove Installation

NOTICE: Measure your product for site preparation. Note the **model number** on the packaging label, then visit the product page at kohler.com to reference the product Specification Sheet.

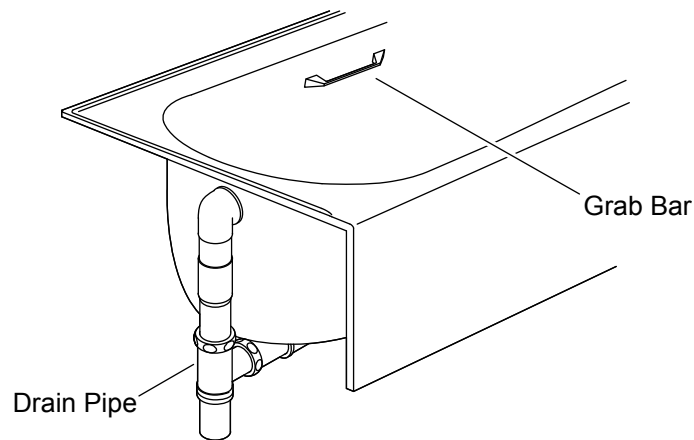
NOTICE: Verify that the subfloor is level. Provide drain access from below. Provide access to all plumbing connections.

NOTICE: Provide adequate floor support.

NOTICE: An access panel will simplify future maintenance.

- Construct an appropriately sized plumb stud alcove. Verify that the dimensions of the alcove account for the finished wall.
- Install the rough plumbing.
- Position and install a standard PVC or brass drain pipe to the correct height.

2. Prepare the Bath

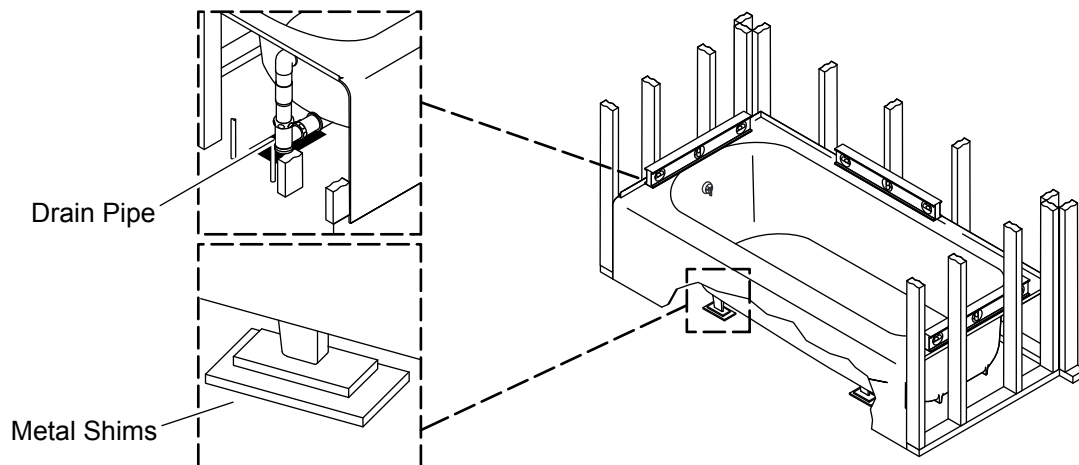


⚠ CAUTION: Risk of personal injury. This bath is extremely heavy. Obtain sufficient help and use lifting straps to lift or move the bath.

IMPORTANT! Do not support the bath by the rim. The bath must only be supported by the feet.

- Position a clean drop cloth (or equivalent) in the bottom of the bath. Take care not to scratch the bath surface.
- Install the drain to the bath according to the manufacturer's instructions. Do not make the final drain connections at this time.
- If applicable, install the grab bar to the bath according to the Installation Instructions.

3. Install the Bath

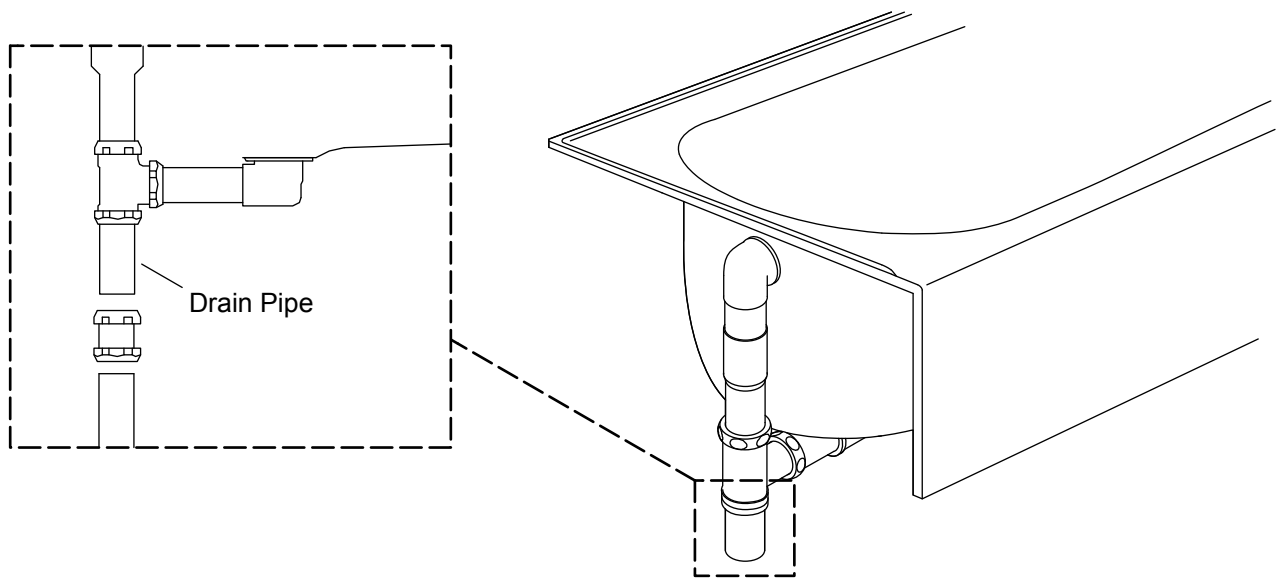


⚠ CAUTION: Risk of personal injury. This bath is extremely heavy. Obtain sufficient help and use lifting straps to lift or move the bath.

IMPORTANT! Do not support the bath by the rim. The bath must only be supported by the feet.

- With help, carefully move the bath into place.
- Connect the bath drain to the drain pipe.
- Verify that the bath is level, plumb, and resting on all four feet. Install metal shims as needed.

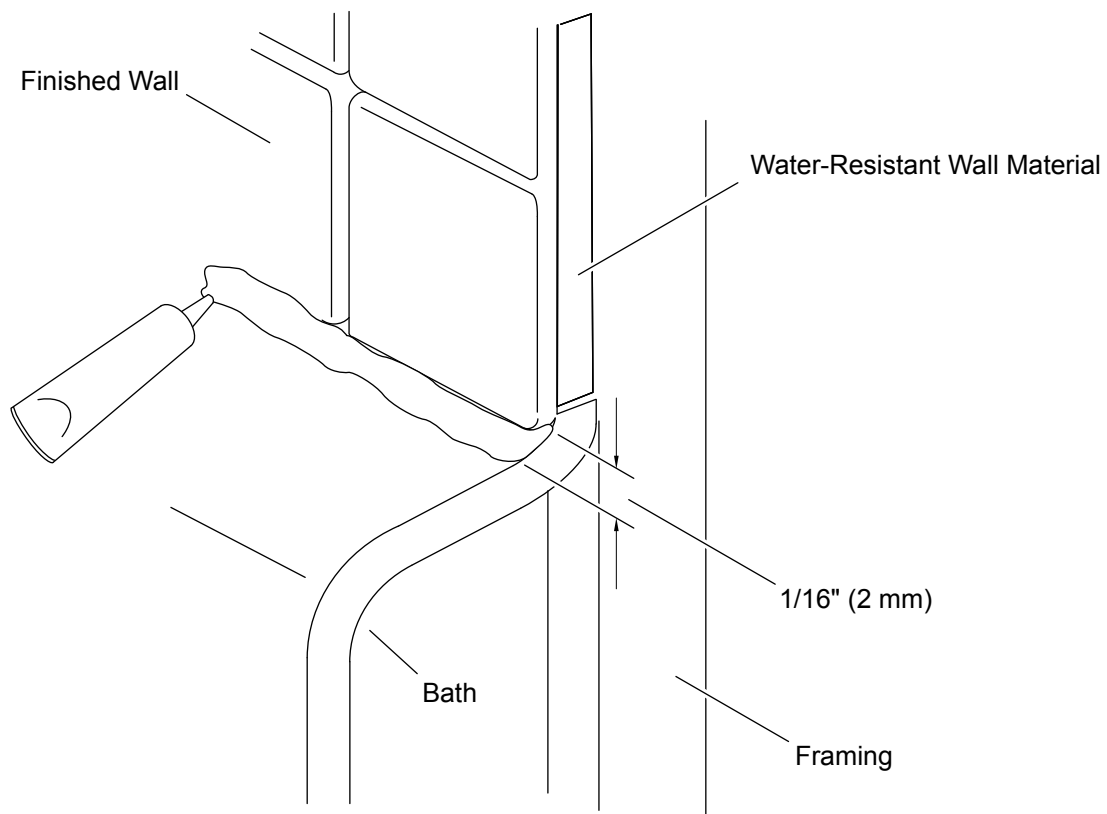
4. Install the Plumbing



⚠ CAUTION: Risk of property damage. Leaky drain connections will damage property. Verify that a watertight seal exists on all drain connections.

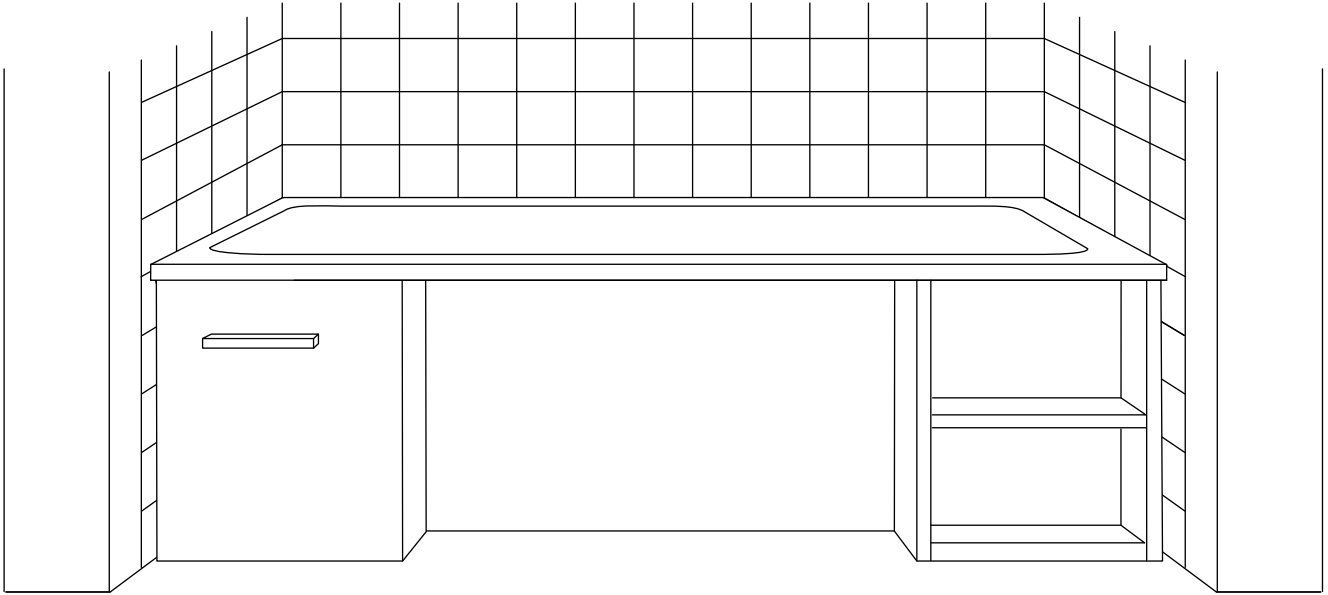
- Make the final drain connections.
- Install the faucet valving following the manufacturer's instructions. **Do not install the faucet trim at this time.**

5. Complete the Installation



- Place a protective liner in the bath.
- Install water-resistant wallboard over the framing. Apply a bead of 100% silicone sealant along the seams.
- Install the finished deck or wall material to within 1/16" (2 mm) of the bath rim.
- Apply 100% silicone sealant around the bath along the finished deck or walls.
- Install the faucet trim following the manufacturer's instructions.
- Check all connections for leaks.
- Fill the bath to the overflow and check the drain connections for leaks.

6. Complete the Custom Storage (If Applicable)



NOTE: This custom storage bath is designed to be functional. The custom storage area can be constructed in several ways. A construction example is illustrated above.

- Construct the custom storage area.