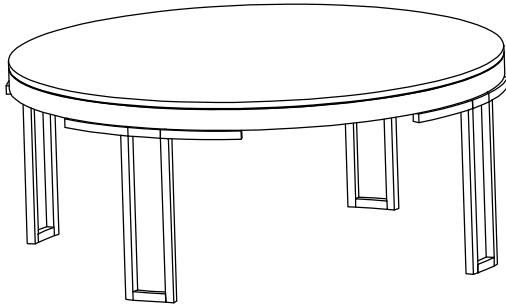





HEKMAN

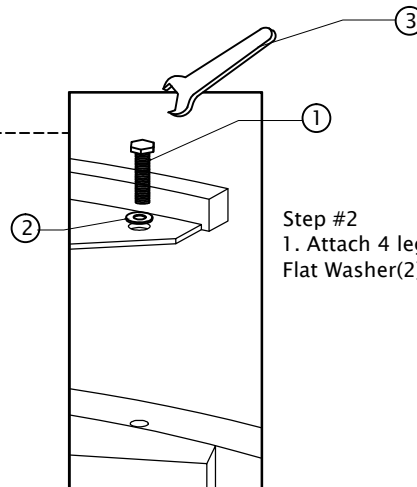
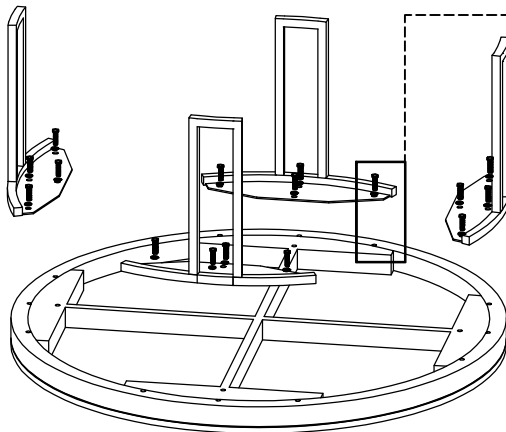
ASSEMBLY INSTRUCTION 24102 ROUND COFFEE TABLE



HARDWARE LIST

Part	Item	Description	Qty
1.		Bolt BO M8 x 20 mm	16 pcs
2.		Flat Washer 8 x 20	16 pcs
3.		Wrench	1 pc

Step #1
1. Lay Top upside
down on soft clean surface.



Step #2
1. Attach 4 legs using Bolt (1),
Flat Washer(2), Wrench (3).

Step#3
1. Tighten all Bolts completely
2. Turn Round Coffee Table Upright