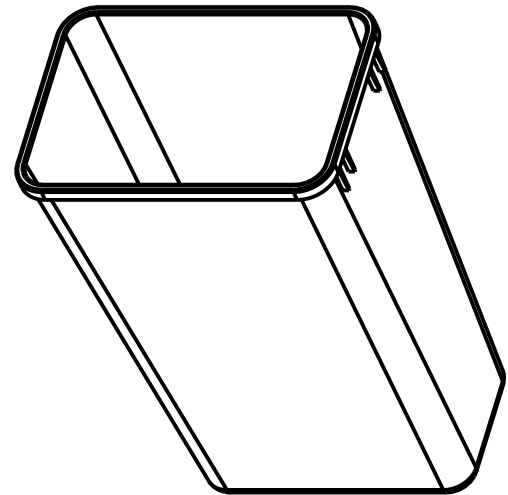
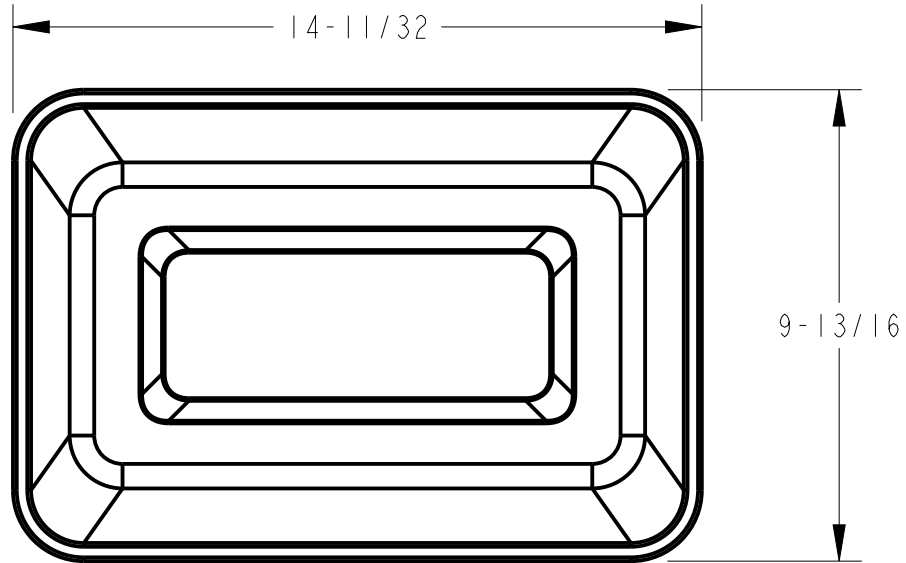
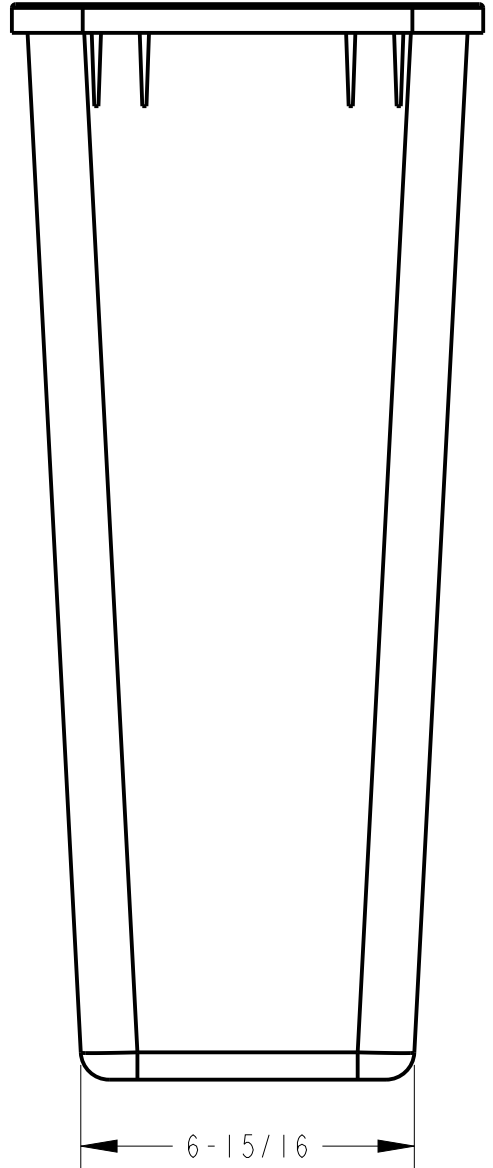
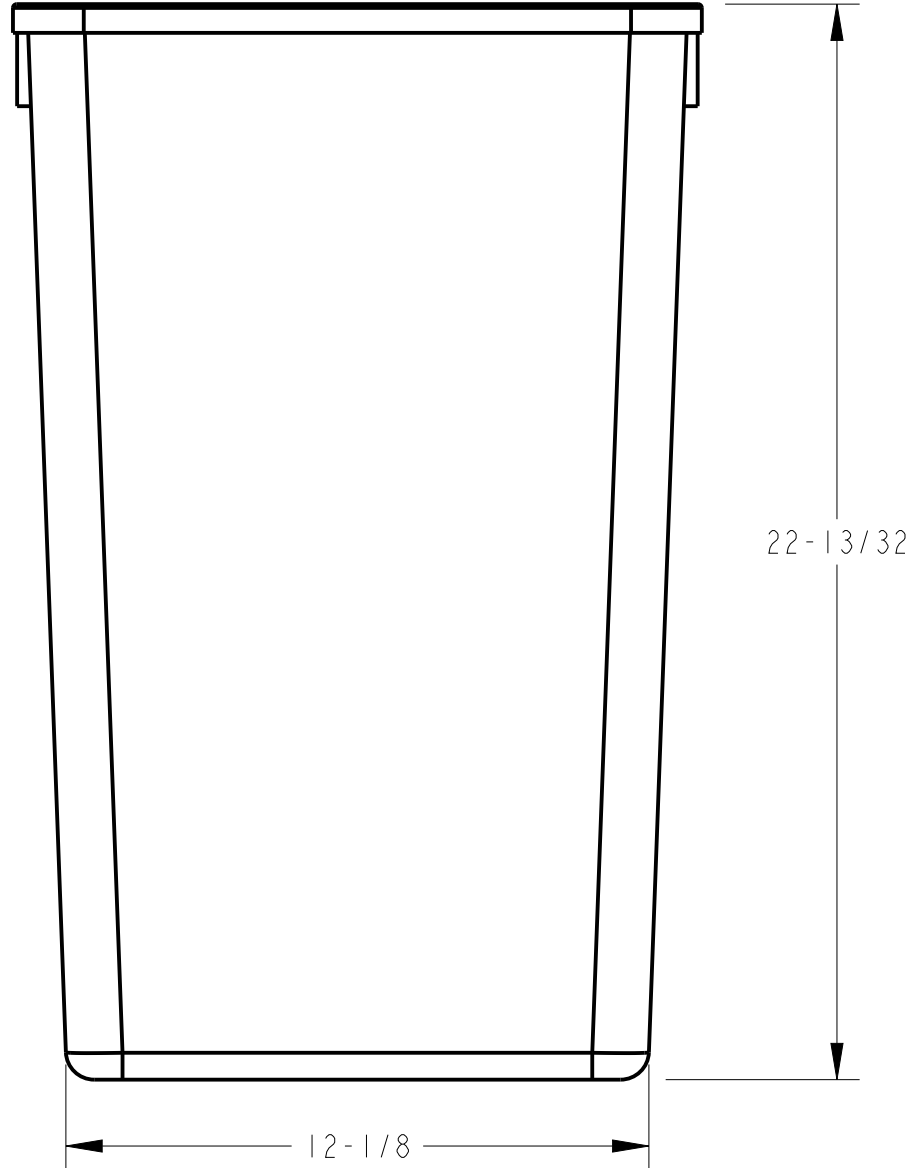


8 7 6 5 4 3 2 1

F  
E  
D  
C  
B  
A



SCALE 0.125



HR ITEM NUMBER	PRODUCT DESCRIPTION
CAN-50	50-QUART PLASTIC WASTE CONTAINER, BLACK
CAN-50W	50-QUART PLASTIC WASTE CONTAINER, WHITE
CAN-50GRY	50-QUART PLASTIC WASTE CONTAINER, GREY

THIRD ANGLE PROJECTION				
MATERIAL	FINISH			
PLASTIC	SEE TABLE	50-QUART PLASTIC WASTE CONTAINER		
DRAWN BY	DATE	DRAWING NUMBER	REV	
ALAN CHEN	25FEB2022	CAN-50	<b>A</b>	
DESIGNED BY	DATE	SIZE	SCALE	
PETER WEN	25FEB2022	A3	0.250	
APPROVED BY	DATE	SHEET		
E. GOLESTANYAN	25FEB2022	1 / 1		

DOCUMENT STATUS Released

HARDWARE RESOURCES RESERVES THE RIGHT TO CHANGE SPECIFICATIONS WITHOUT NOTICE. IN CASE OF A DISCREPANCY, ACTUAL PART GEOMETRY SUPERSEDES THIS DOCUMENT.

THE INFORMATION CONTAINED WITHIN THIS DRAWING IS THE SOLE PROPERTY OF HARDWARE RESOURCES INC. ANY REPRODUCTION IN PART OR WHOLE WITHOUT WRITTEN PERMISSION OF HARDWARE RESOURCES INC. IS PROHIBITED.

8 7 6 5 4 3 2 1