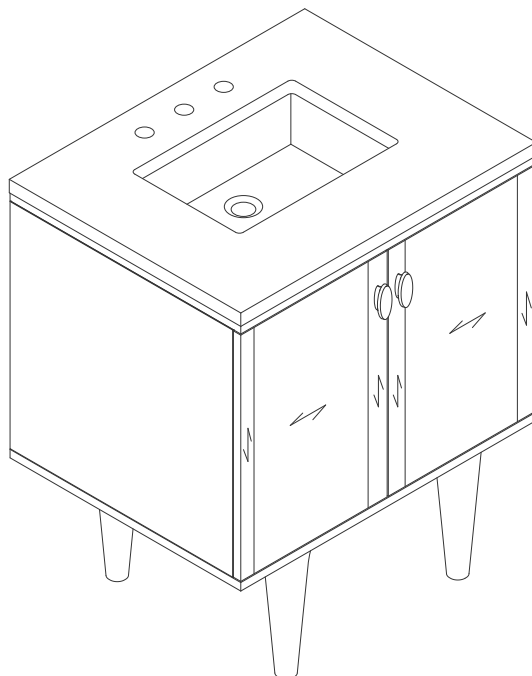


# 30" AMBERLY VANITY

670-V30-WLT

**JAMES MARTIN**  
VANITIES



## Features and Materials

Solids: Para wood and Yellow Poplar

Veneers: Quarter Cut Walnut

Panels: Plywood

Installation Type: Floor Standing with Base or Wall Mounted

Number of Basins: One, with Optional 3cm Top

Vanity Top Included: NO, Optional 3cm Tops Available with Sinks

Overflow: Yes, Front Facing

Number of Doors: Two

Number of Drawers: 0

USB/Power Component: YES (ETL5011080)

Cord Length: 6'6"

Assembly Type: Installation of Optional 3cm Top with Sink

Assembly Type: Remove Base to Wall Hang (hardware included)

Hardware Material and Finish: Zinc Alloy in Champagne Brass

Fits Drain Hole Size: 1 3/4"

European Soft Close Hinges

Adjustable Levelers

## Dimension

Width: 29-7/8"

Depth: 23-1/2"

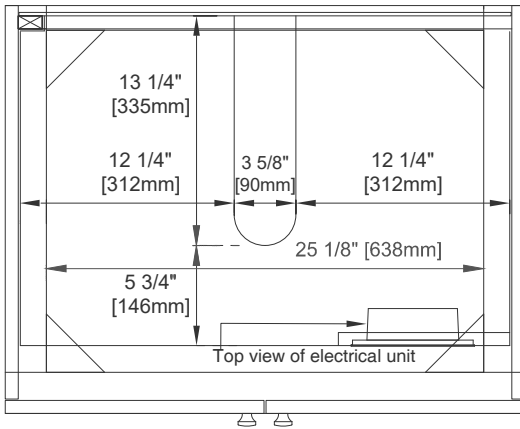
Height: 33-5/8"

Rough-In Height: 21-1/2"

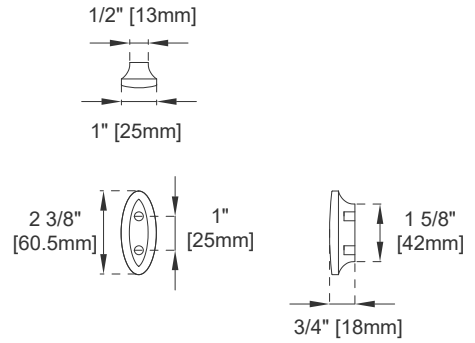
# 30" AMBERLY VANITY

# JAMES MARTIN VANITIES

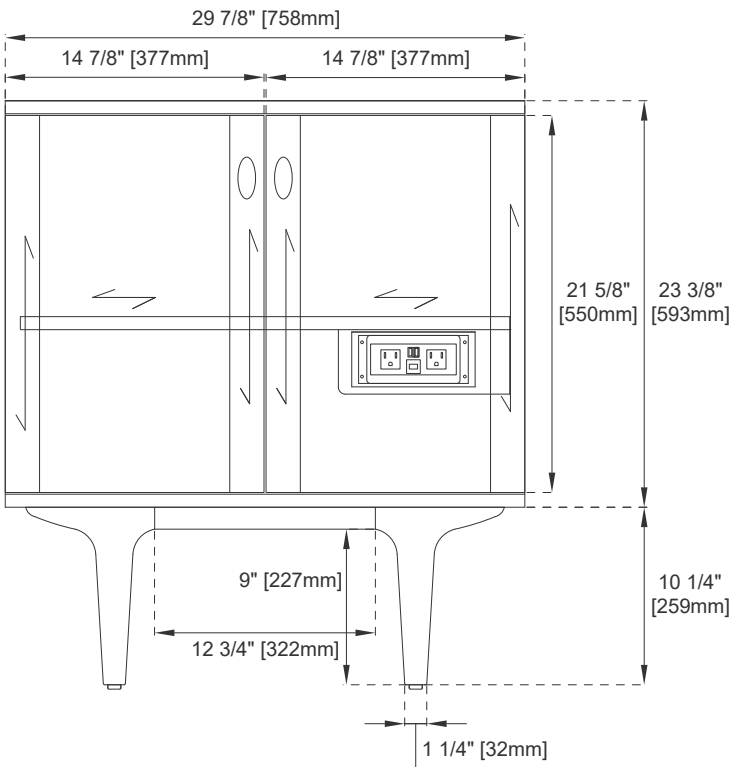
670-V30-WLT



Top View



Knob



Front View

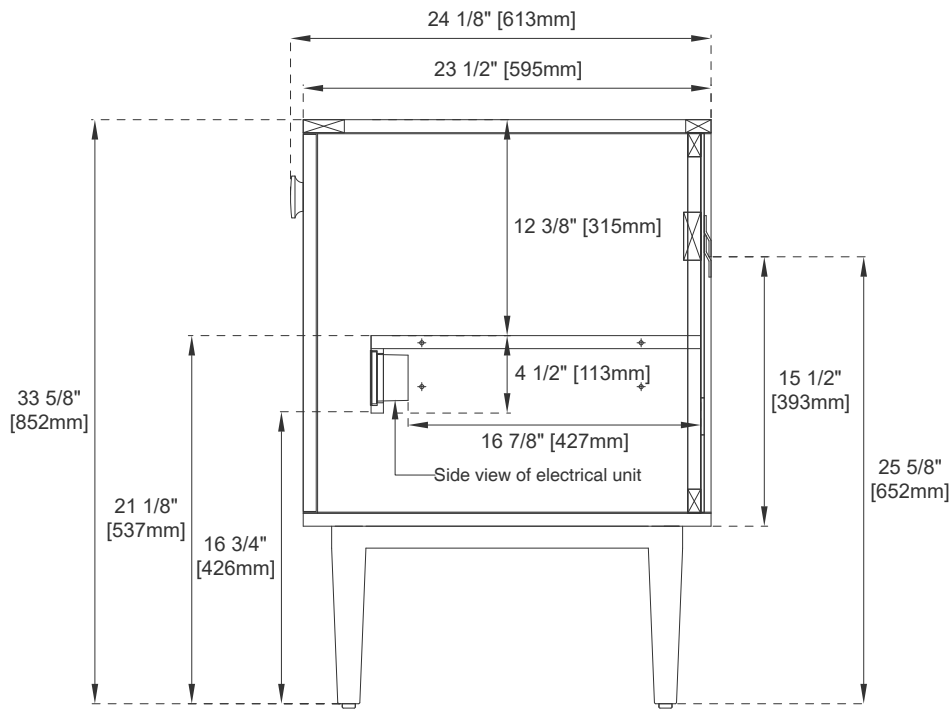
All dimensions are nominal  
Diagrams are of cabinet only—James Martin Optional Countertops and sinks are not shown

Visit website for warranty and installation information  
[www.jamesmartinvanities.com](http://www.jamesmartinvanities.com)

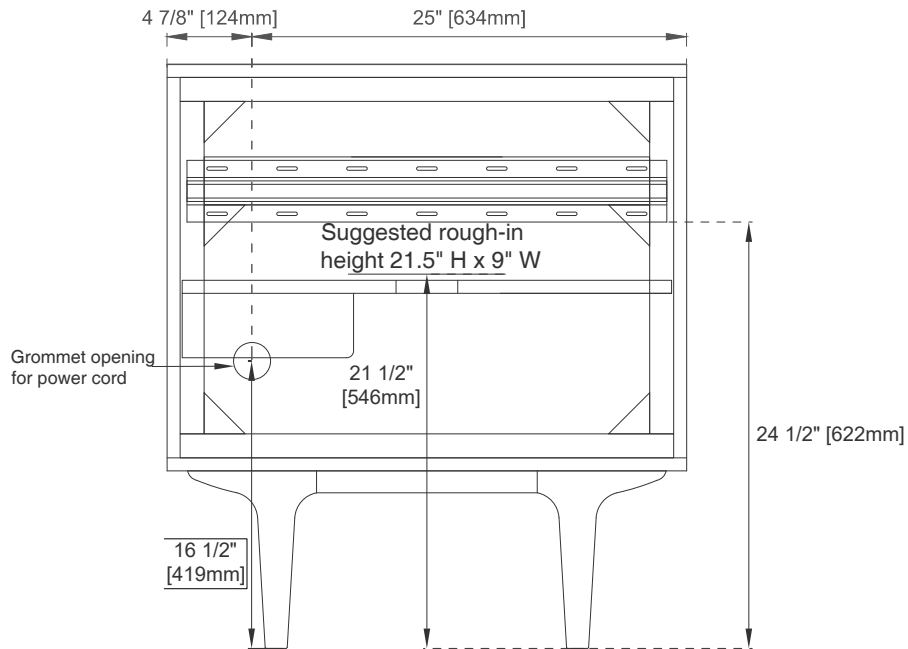
# 30" AMBERLY VANITY

# JAMES MARTIN VANITIES

670-V30-WLT



Side View



Back View

All dimensions are nominal  
Diagrams are of cabinet only—James Martin Optional Countertops and sinks are not shown

Visit website for warranty and installation information  
[www.jamesmartinvanities.com](http://www.jamesmartinvanities.com)