



Triton® Bowe® | K-830T10-5A

Service sink faucet

Features

- 8" (203 mm) center
- 5-1/8" (130 mm) wall-to-spout outlet with pail hook
- 1/4-turn full brass ceramic valve
- 13.5 gal/min (51 l/min) flow rate at 60 psi (4.1 bar)
- 4-1/16" vandal-resistant metal wristblade lever handles
- Drain sold separately



Available Colors/Finishes

Color tiles intended for reference only.

■ CP Polished Chrome



1-800-4KOHLER (1-800-456-4537)
Kohler Co. reserves the right to make revisions without notice to product specifications.
For the most current specification sheet, go to www.kohler.com USA or www.kohler.ca Canada.
5-12-2026 22:2 - US-CA

THE BOLD LOOK
OF **KOHLER**®

Codes/Standards

ADA, OBC, CSA B651 compliant when installed to the specific requirements of these regulations.

ADA CSA B651 OBC

ASME A112.18.1/CSA B125.1

ADA

ICC/ANSI A117.1

CSA B651

OBC

Technical Information

All product dimensions are nominal.

Handle

Handle Style/ Type: Lever

Spout

Spout Reach: 5-1/8" (130 mm)

Flow Rate

Faucet Flow Rate: 13.5 gpm (51.1 l/min)

Valves

Included Valves: Ceramic disc, Volume Control

Material

- Solid-brass construction with thick chrome plating for rough commercial applications
-

Recommended Products/Accessories

K-23723 Faucet cleaner

Warranty

See website for detailed warranty information.

KOHLER® One-Year Limited Warranty

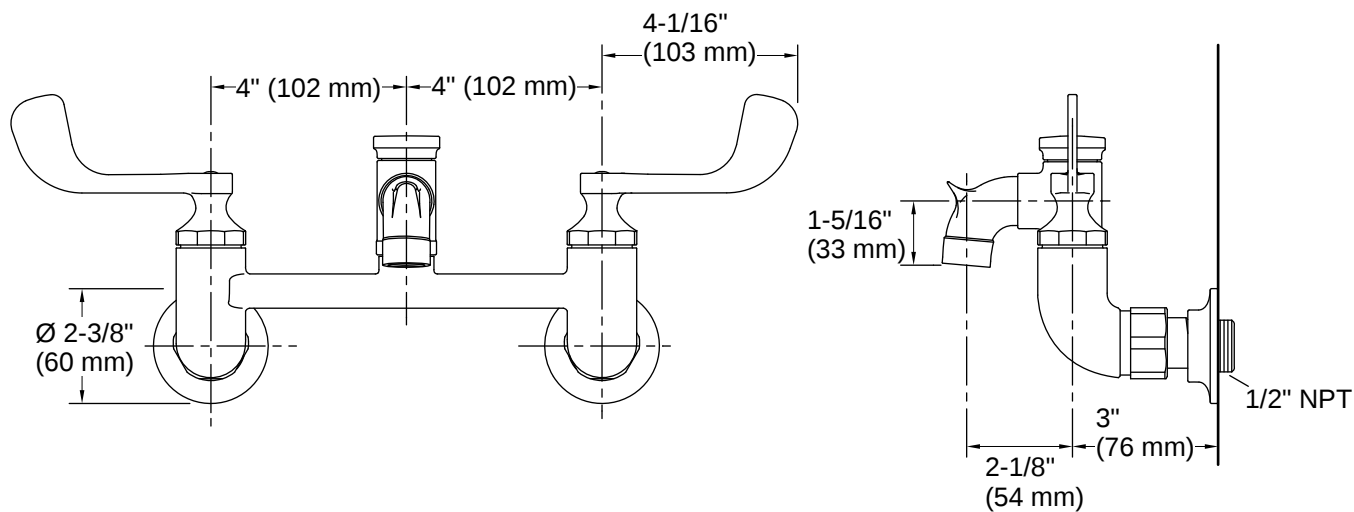


1-800-4KOHLER (1-800-456-4537)

Kohler Co. reserves the right to make revisions without notice to product specifications.

For the most current specification sheet, go to www.kohler.com USA or www.kohler.ca Canada.

5-12-2026 22:2 - US-CA



Installation

- Eccentric inlet shanks for easy installation

Installation Notes

Install this product according to the installation instructions.

ADA compliant for faucet handles only

ADA, OBC, CSA B651 compliant when installed to the specific requirements of these regulations.

