

# I PORT CONNECT MOUNT

## VESA MOUNT



72393 - CONNECT VESA Mount - Black

## VESA MOUNT

### I PORT CONNECT VESA Mount Install Manual

Thank you for purchasing the all new IPORT CONNECT PRO VESA Station. We hope you enjoy this revolutionary new system and if at any time you need more assistance please contact IPORT Tech Support via Online chat or through our help desk.

#### Whats in box:

- 1 - IPORT CONNECT VESA Station
- 1 - IPORT Security tool - 1.5mm hex key
- 1 - M4 x 10mm screws
- 1 - Info Card

Product Info Page - <https://www.iportproducts.com/Product/72305>

#### Power Handling

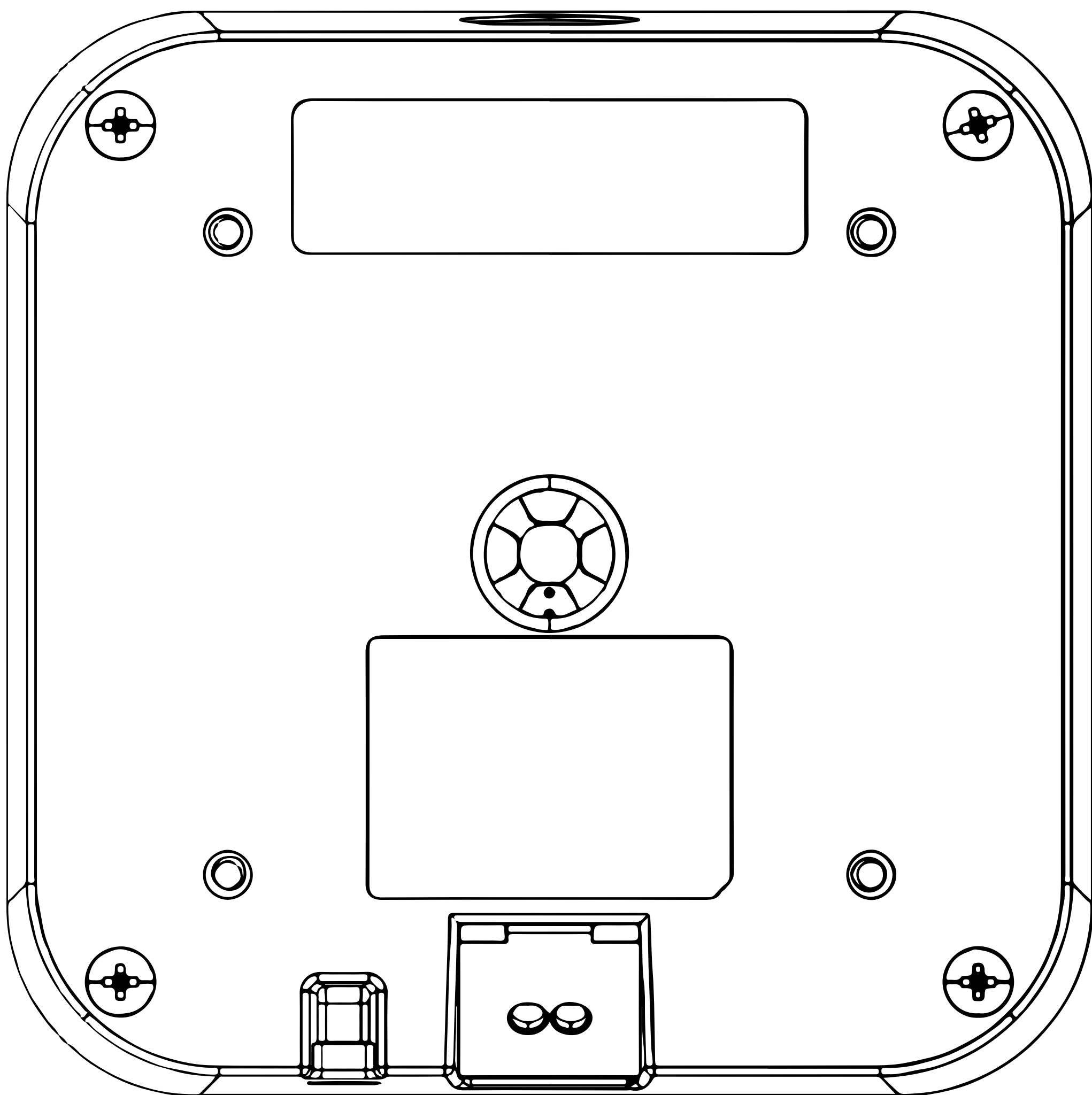
- 9-30V DC 1.5A from a 2-wire connection
- 48VPoE+ when the IPORT PoE+ Upgrade (72109) is installed.

#### Glossary of Terms:

- **VESA STATION** - The fully assembled CONNECT PRO VESA Station consisting of the Station, Cover and screws.
- **Station Cover** - The thin plastic cover around the round charging portion of the VESA Station.
- **I PORT Security Tool** - The orange handled 1.5mm hex tool used for locking and unlocking IPORT Products.

## VESA MOUNT

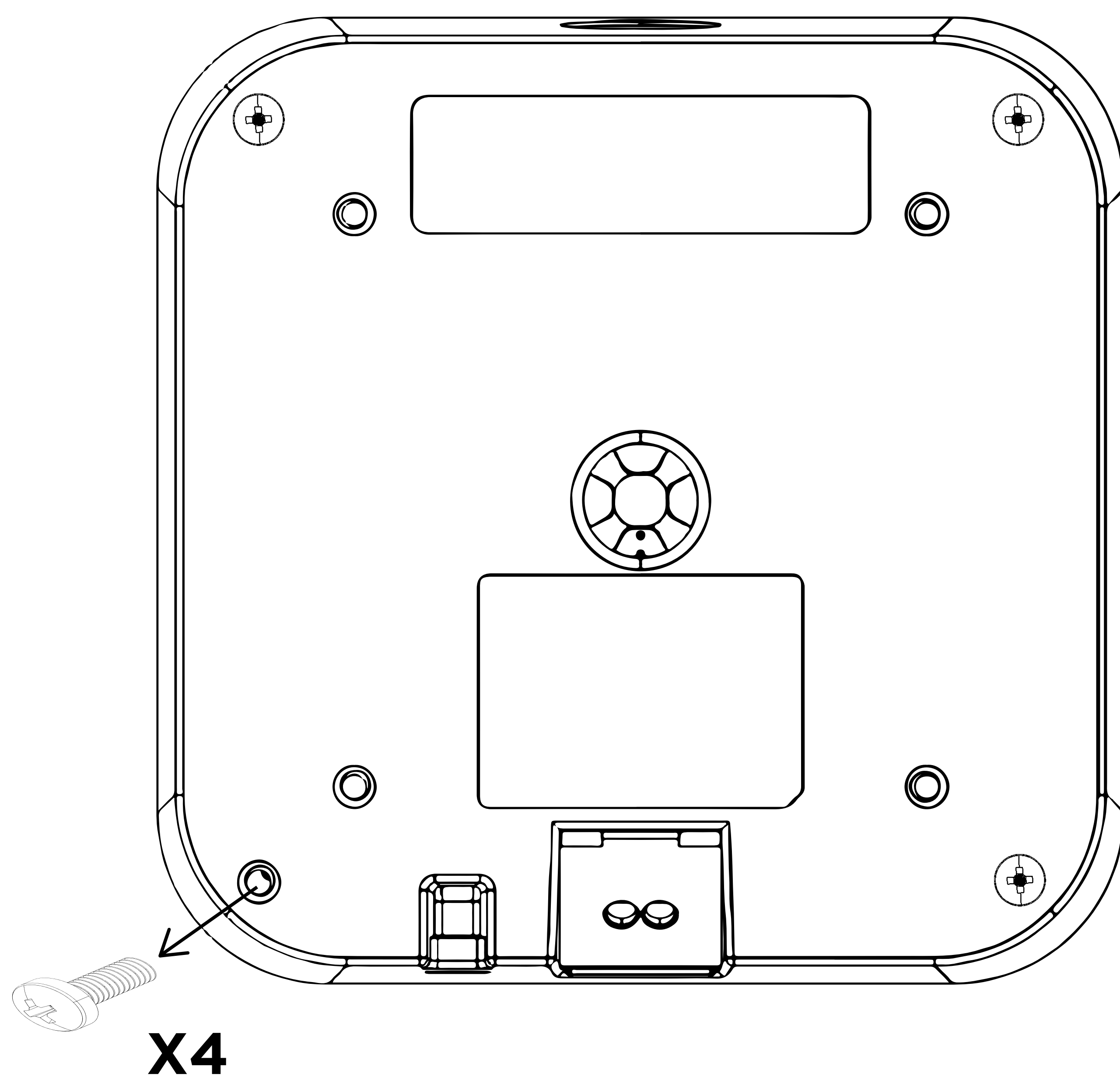
**1. The IPORT CONNECT VESA Station is designed to conform to MIS-D standard and will work with most 75 mm x 75mm and 100mm x 100mm VESA mounts.**



**2. The IPORT CONNECT VESA Station Ships with provided 10mm screws however depending on your VESA mount or stand you may need to source separate lengths 4M screws.**

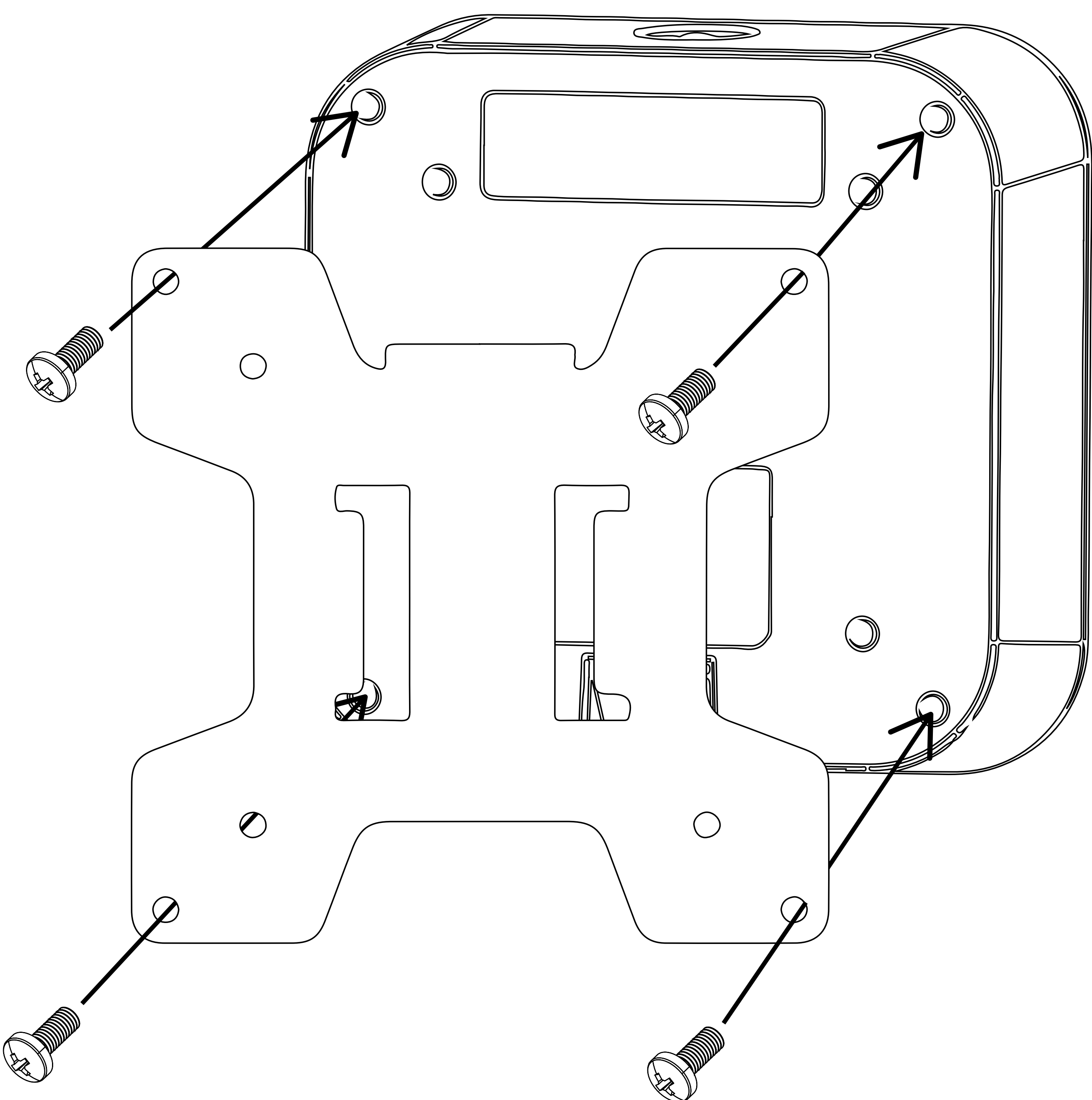
## VESA MOUNT

**3. Remove the 4ea M4x10mm Screws from the back of the VESA Station.**



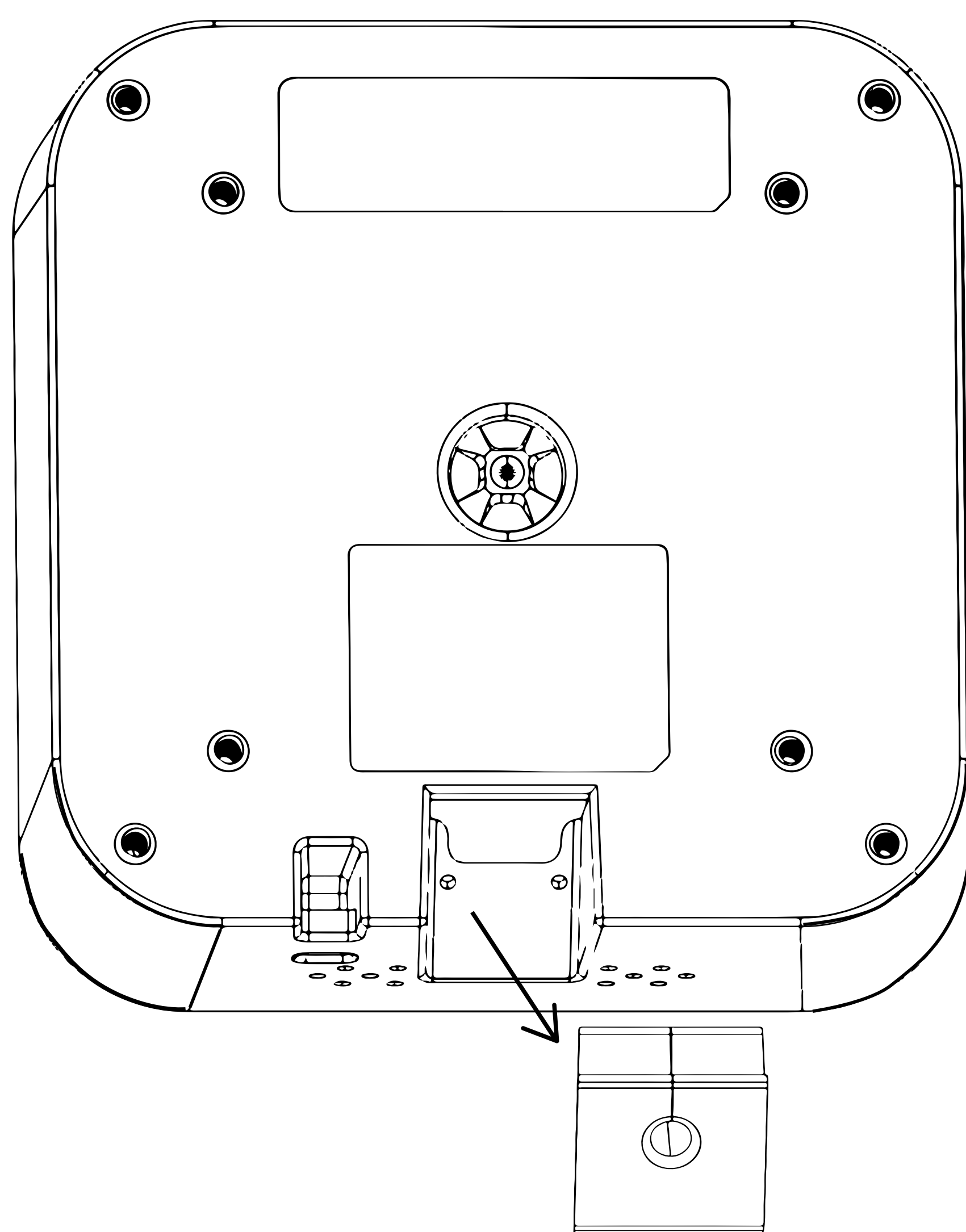
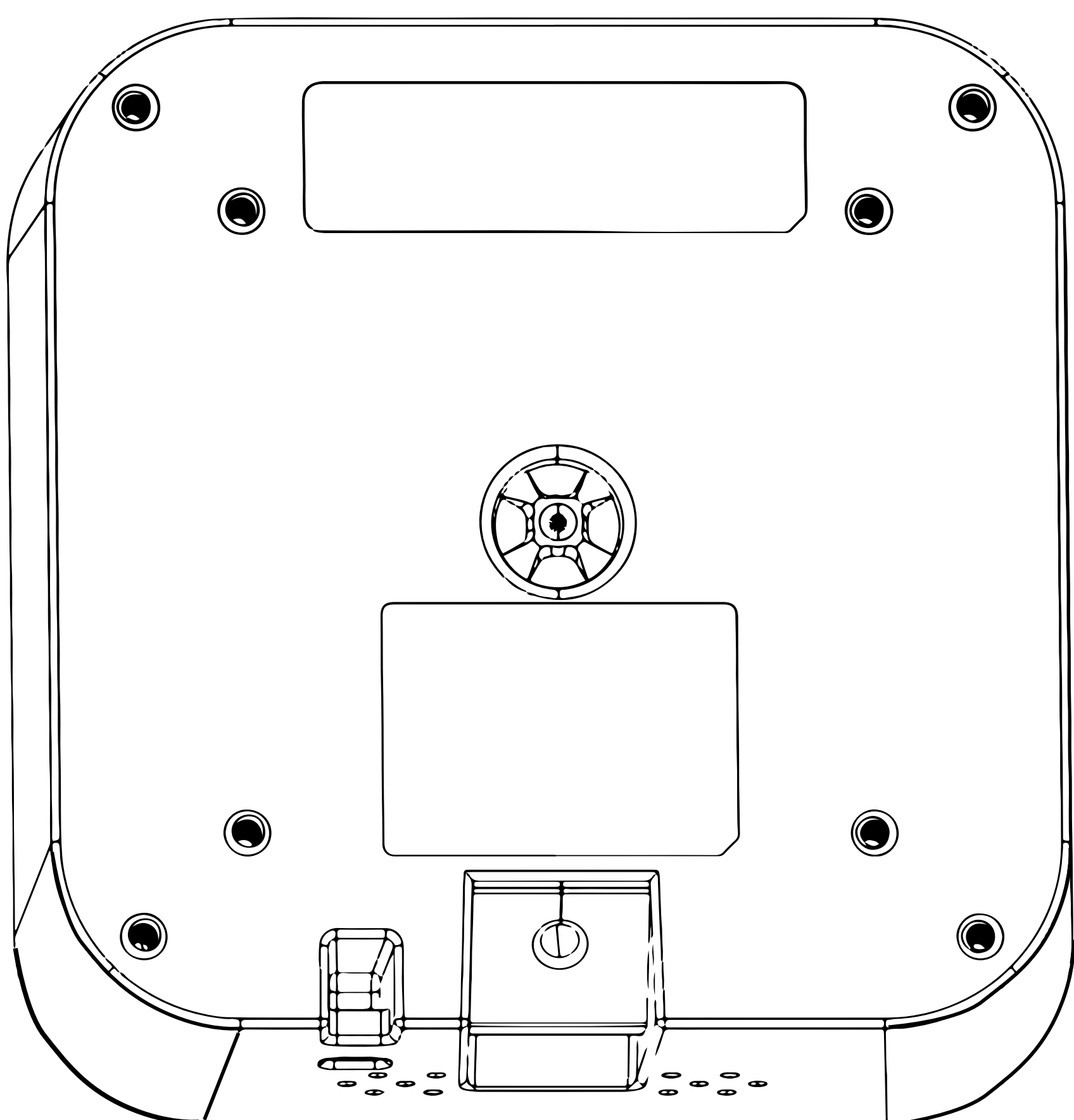
## VESA MOUNT

- 4. Install the Screws through the appropriate holes for your mount and screw into the back of the VESA Mount.**



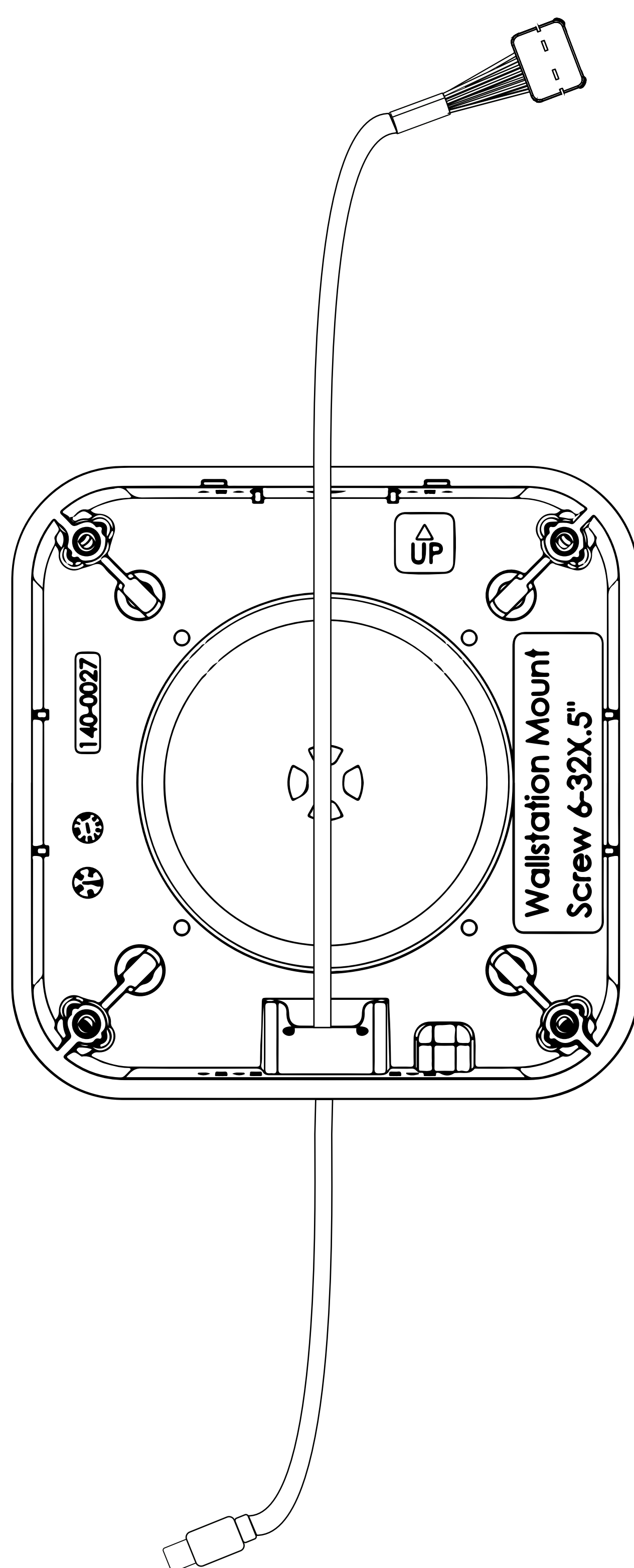
## VESA MOUNT

**4. Remove the rubber plug from the bottom of the VESA Mount and set aside for later.**



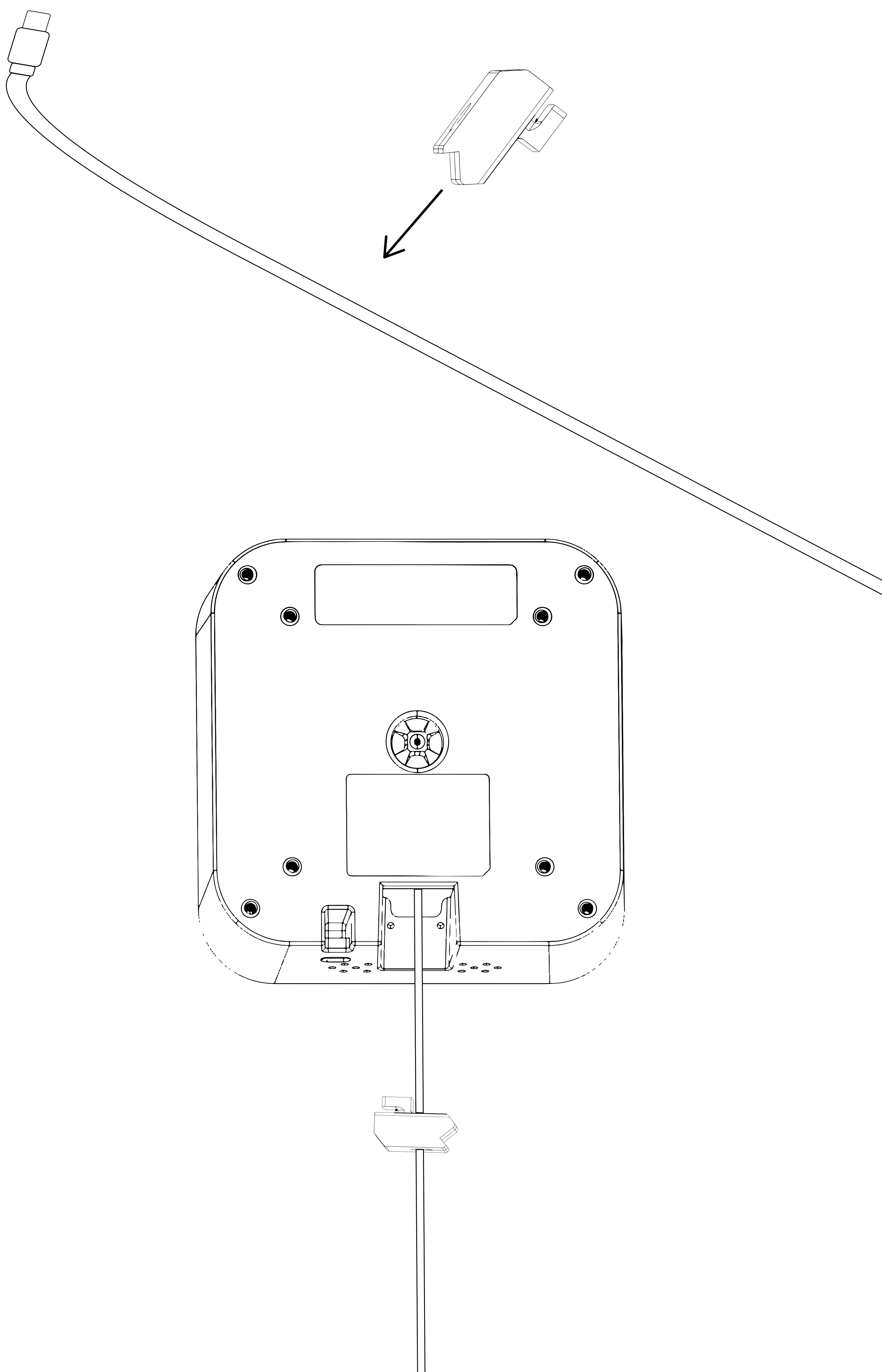
## VESA MOUNT

**4. Insert the USB-C to Molex Cable through the hole in the bottom of the VESA Station.**



## VESA MOUNT

**4. Place the rubber grommit over the USB-C cable making sure to position the hooking end of the grommit away from the USB-C connector.**

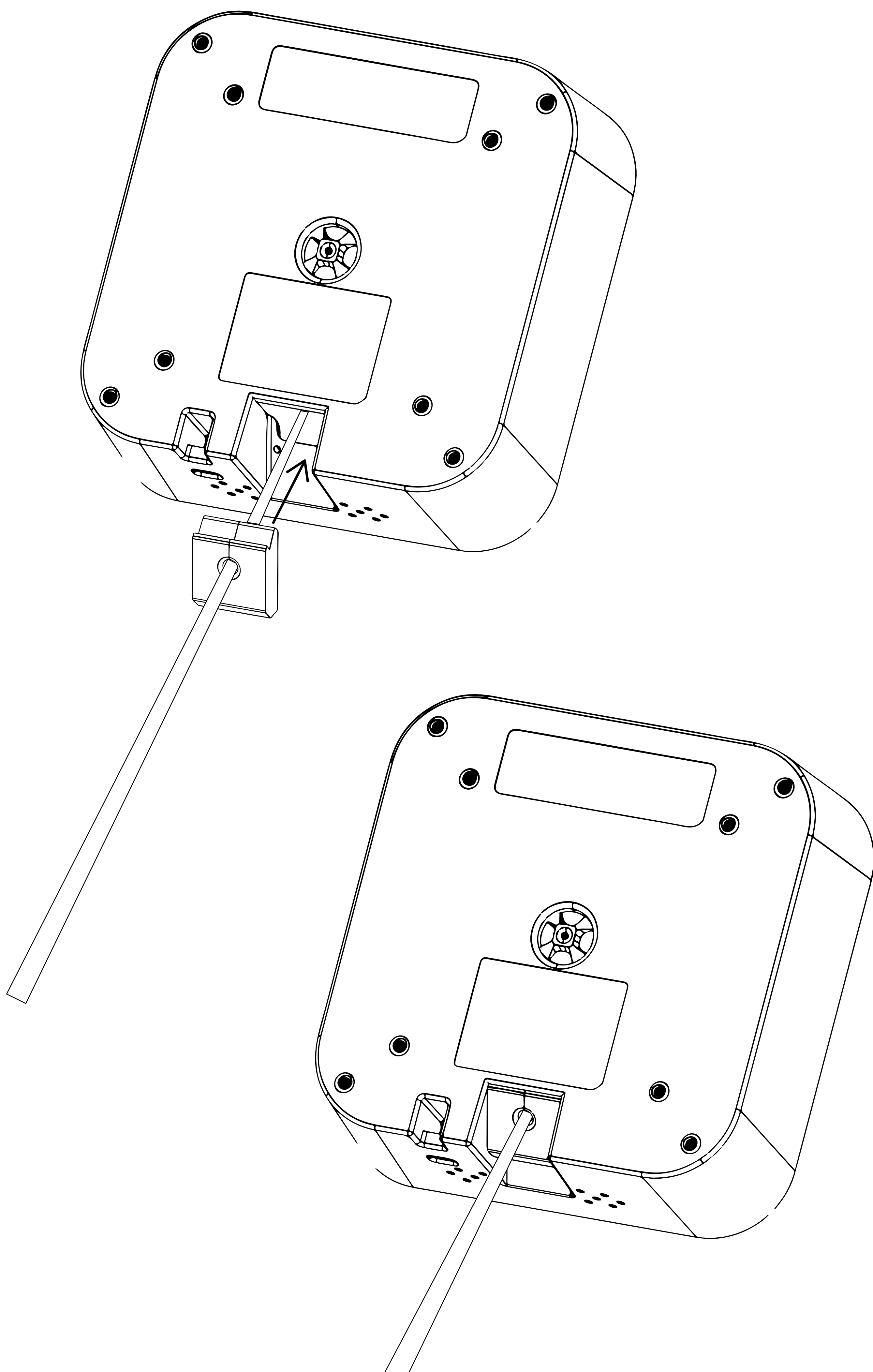




# I PORT CONNECT MOUNT

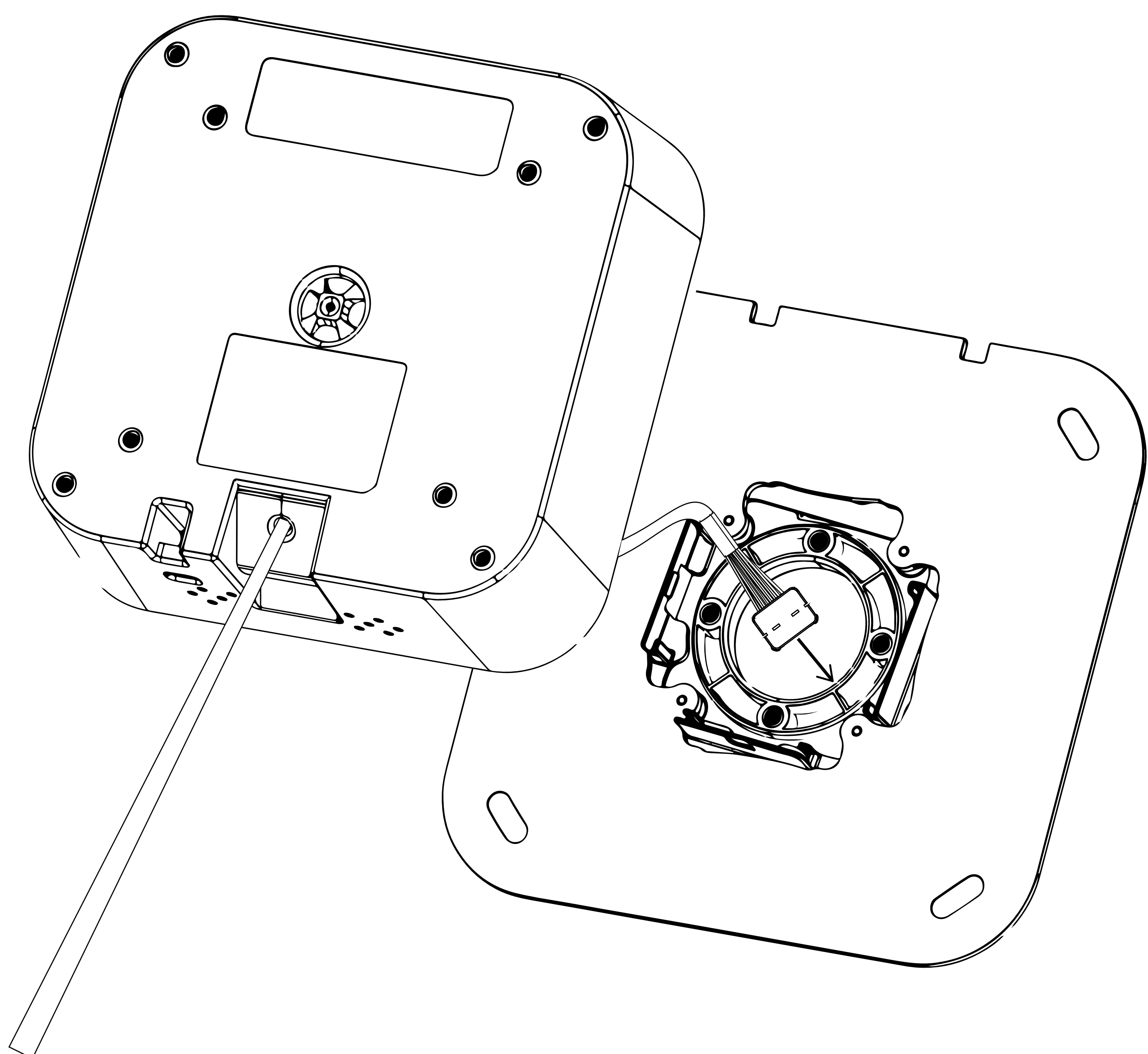
## VESA MOUNT

- 4. Insert the rubber grommet with the hook first then pressing the grommet in all the way to secure it in place.**



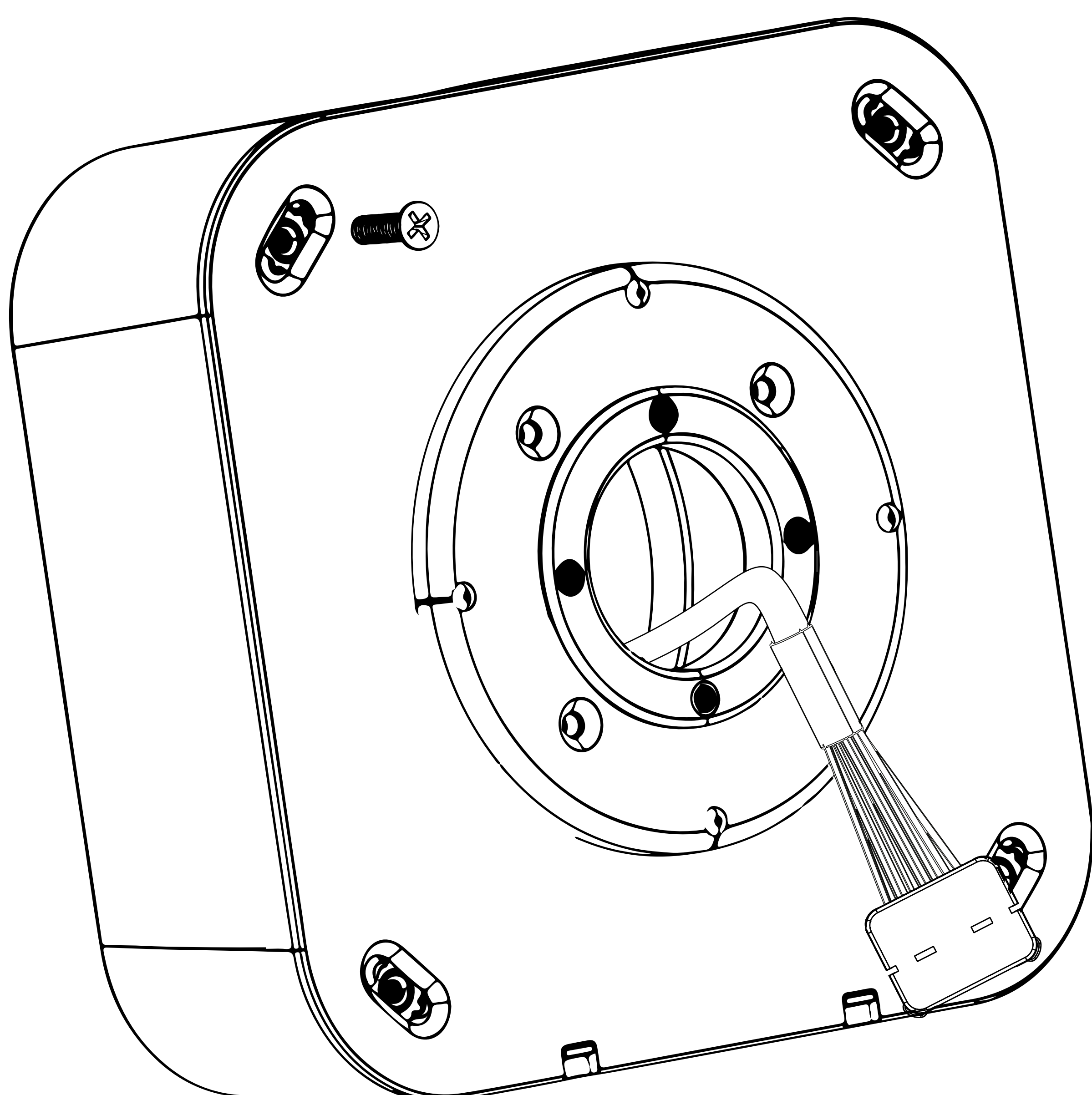
# I PORT CONNECT MOUNT

## VESA MOUNT



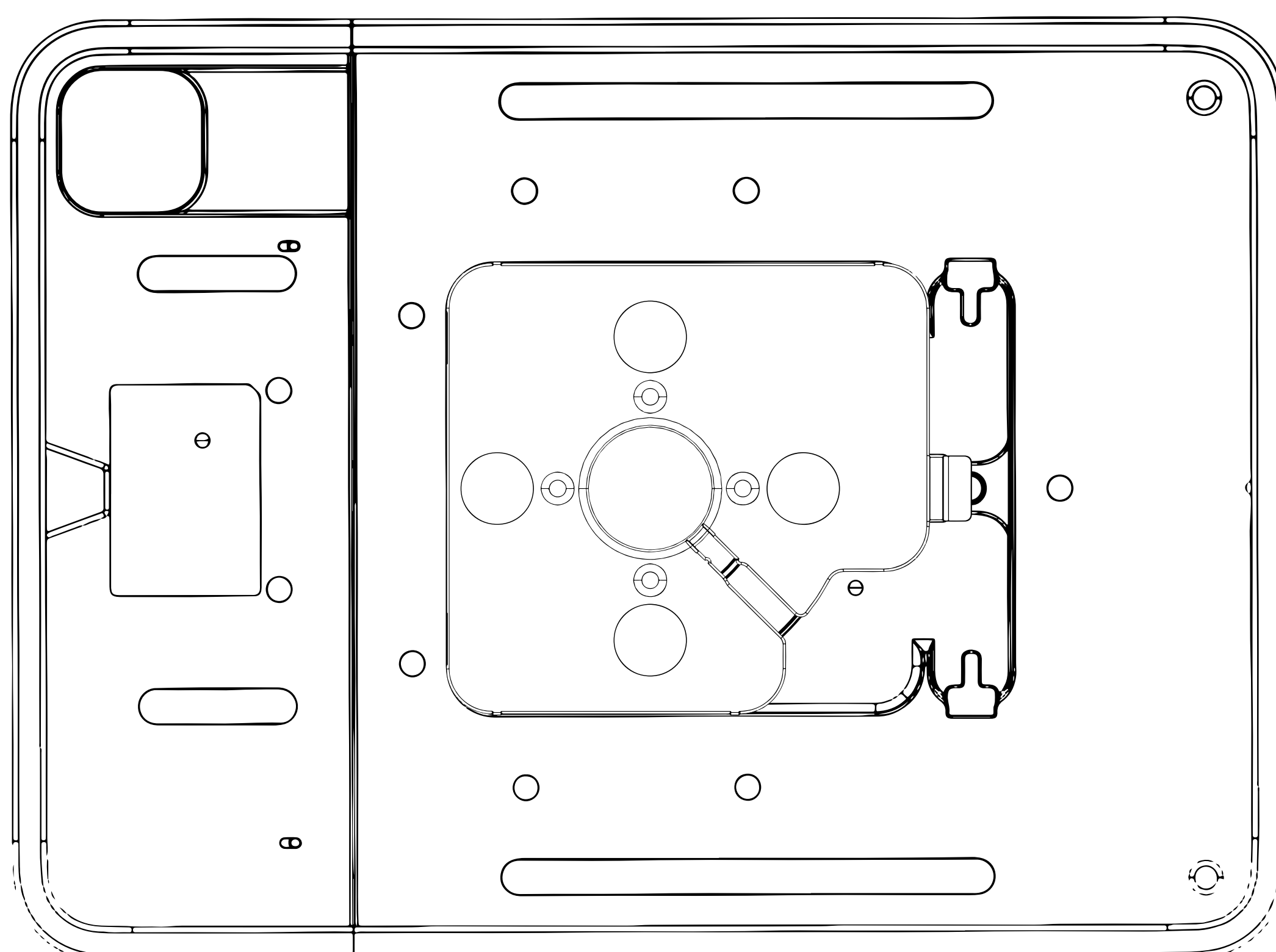
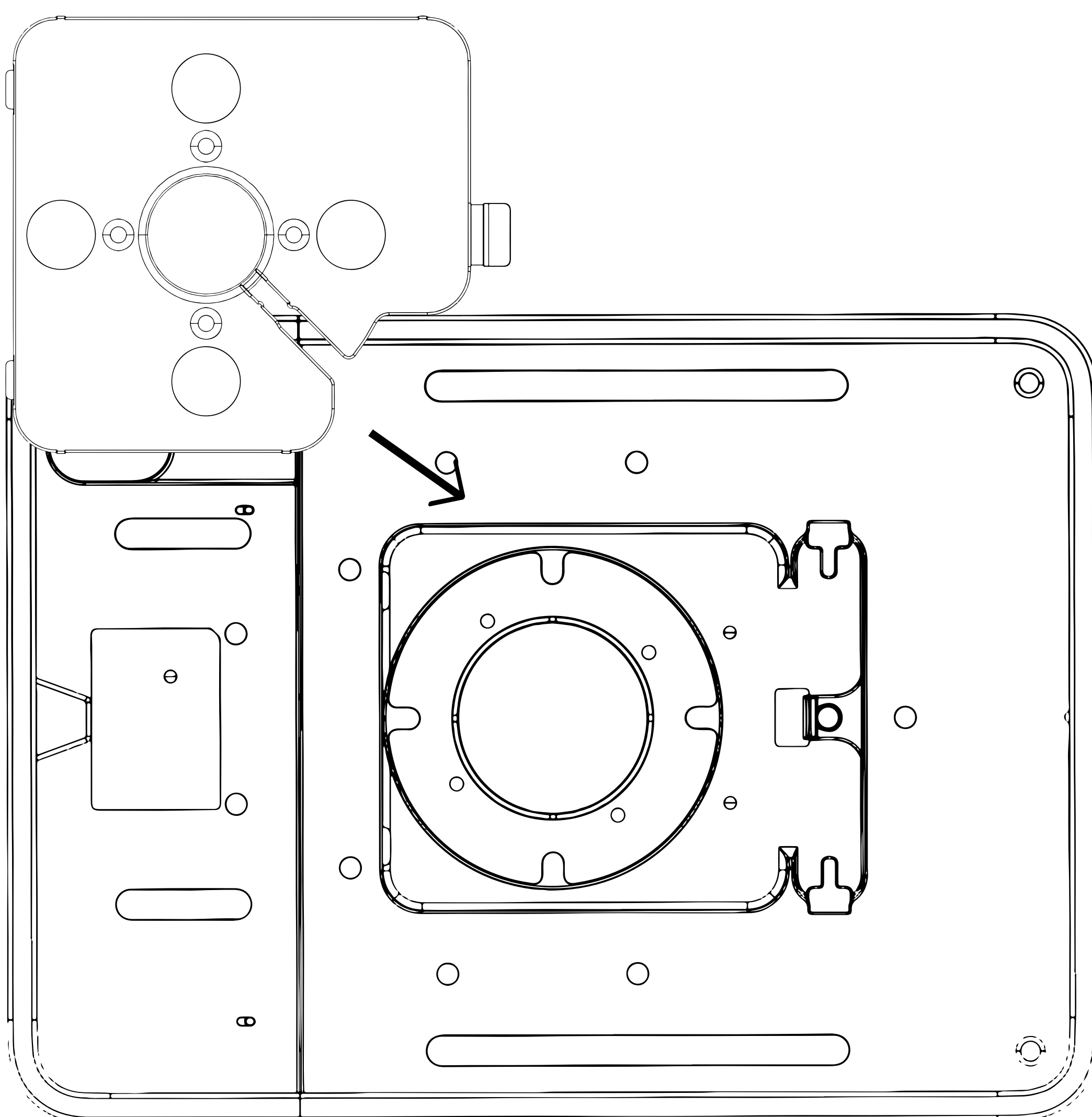
# I PORT CONNECT MOUNT

## VESA MOUNT



## VESA MOUNT

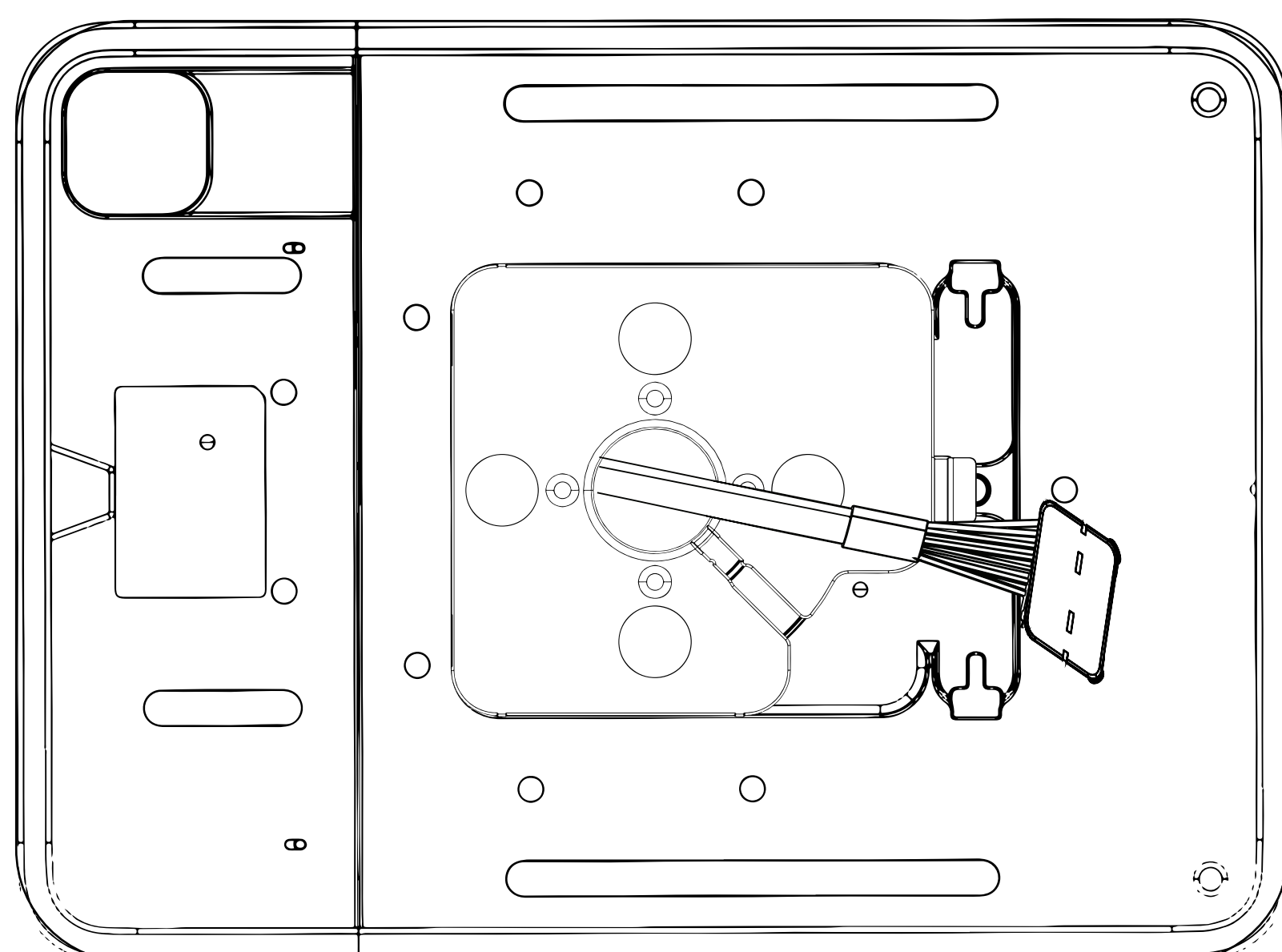
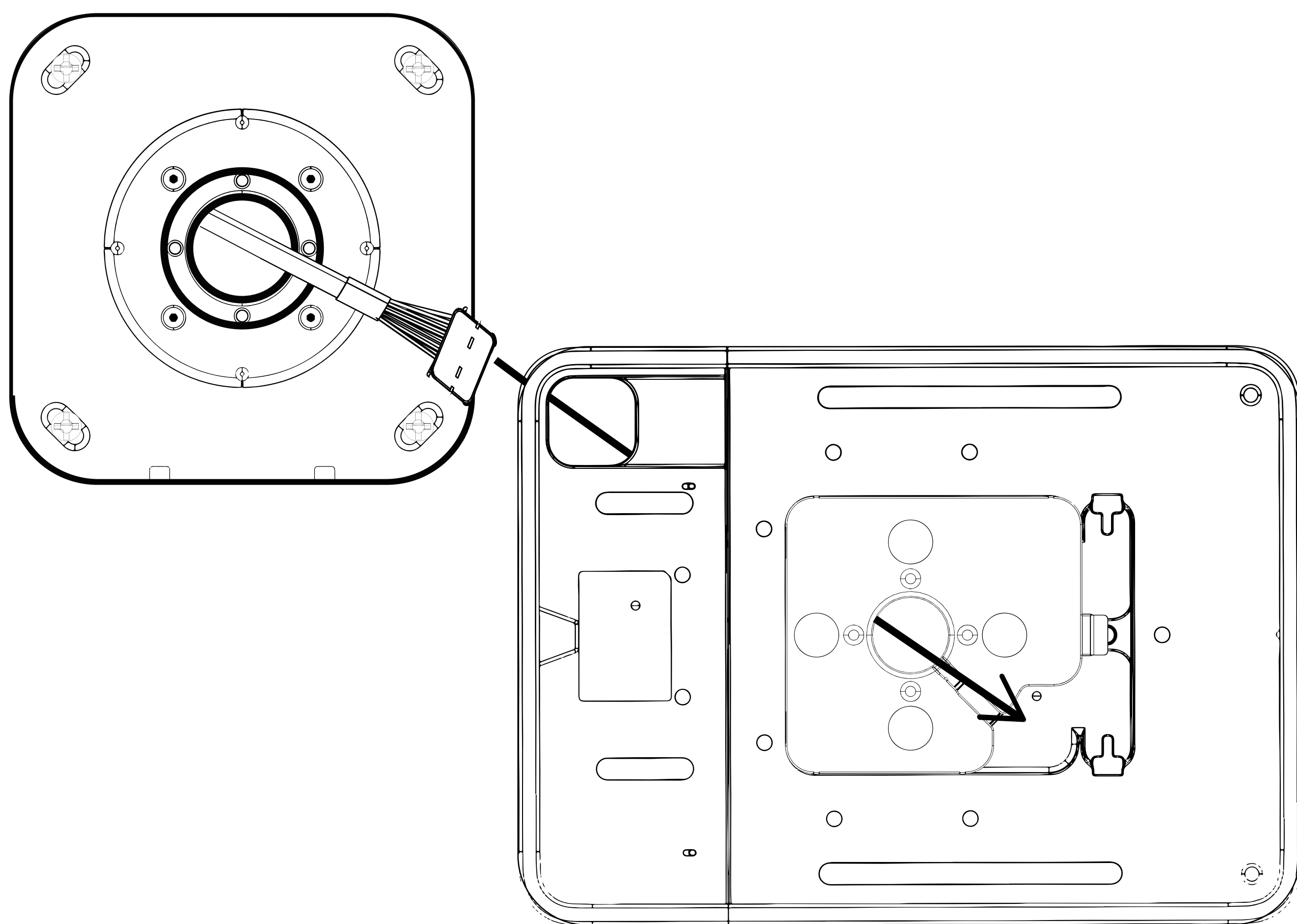
- 13. Insert the CONNECT mounting bracket into the CONNECT CASE making sure the bracket snaps into place securely.**



# I PORT CONNECT MOUNT

## VESA MOUNT

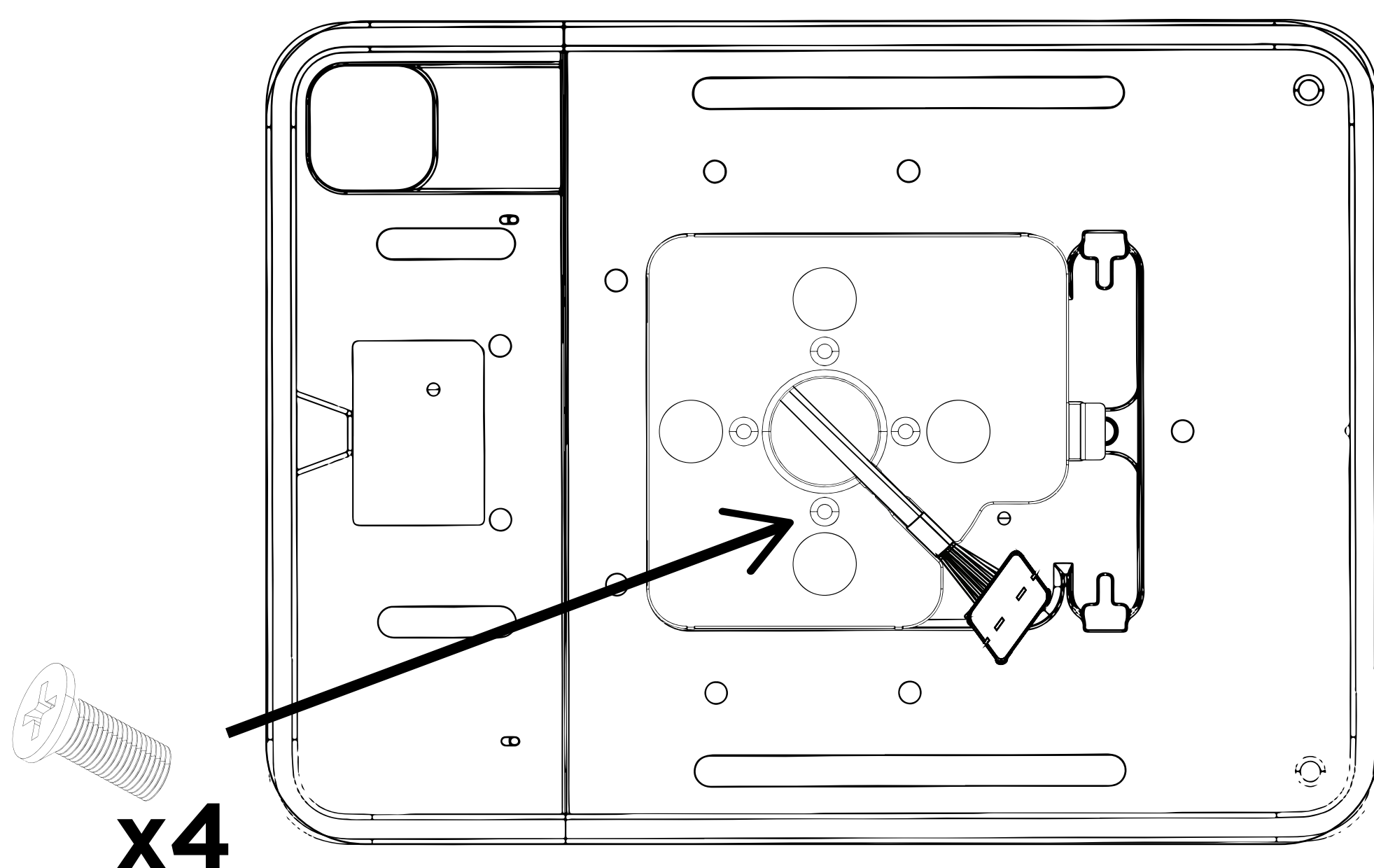
- 14. Place the Case onto the MOUNT in the desired portrait or landscape orientation. Feed the IPORT Molex cable through the center of the mounting bracket.**



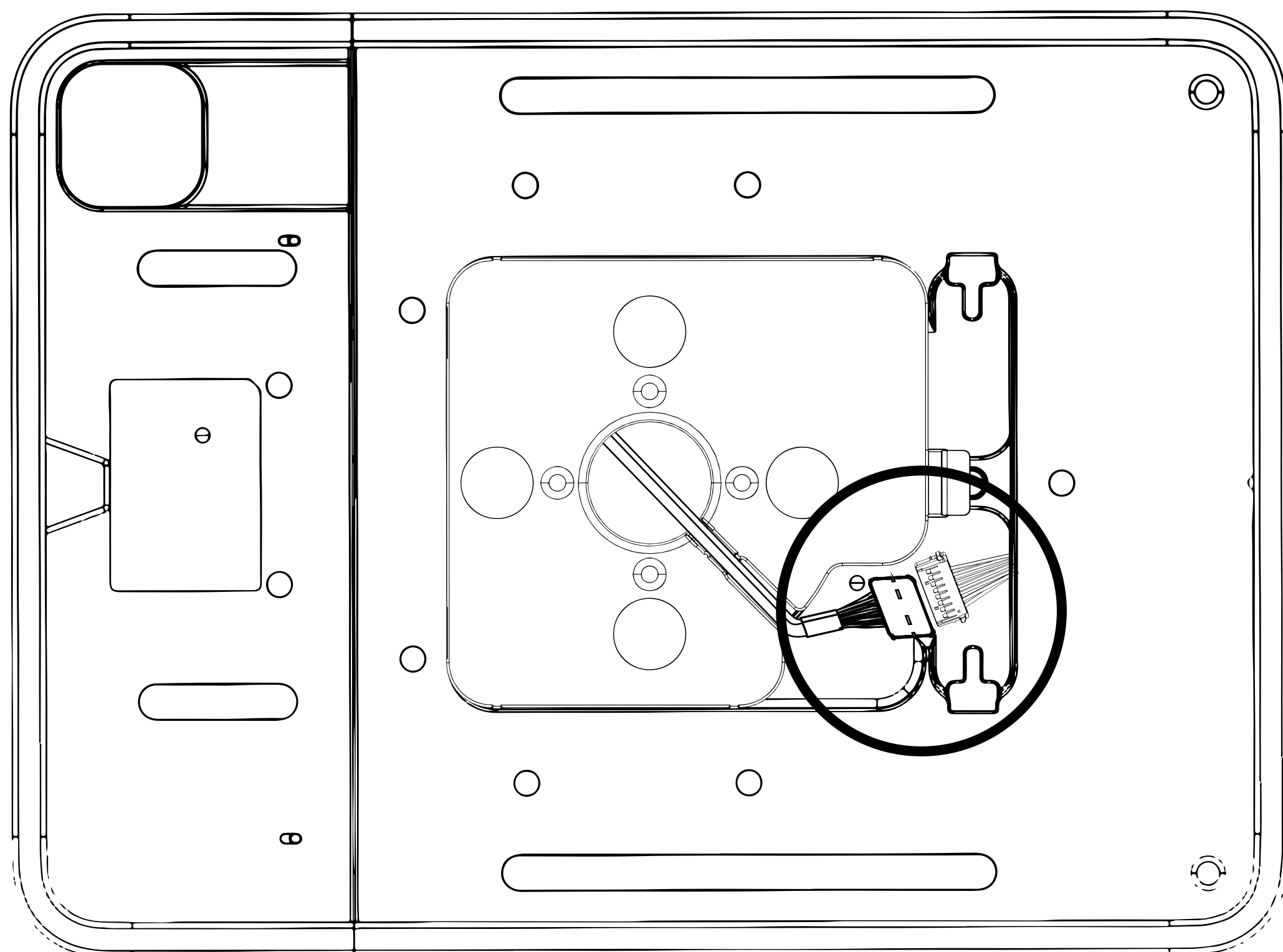
# I PORT CONNECT MOUNT

## VESA MOUNT

- 15. Use the provided 4 machine screws to attach the Mounting Bracket to the CONNECT Mount Bracket.**

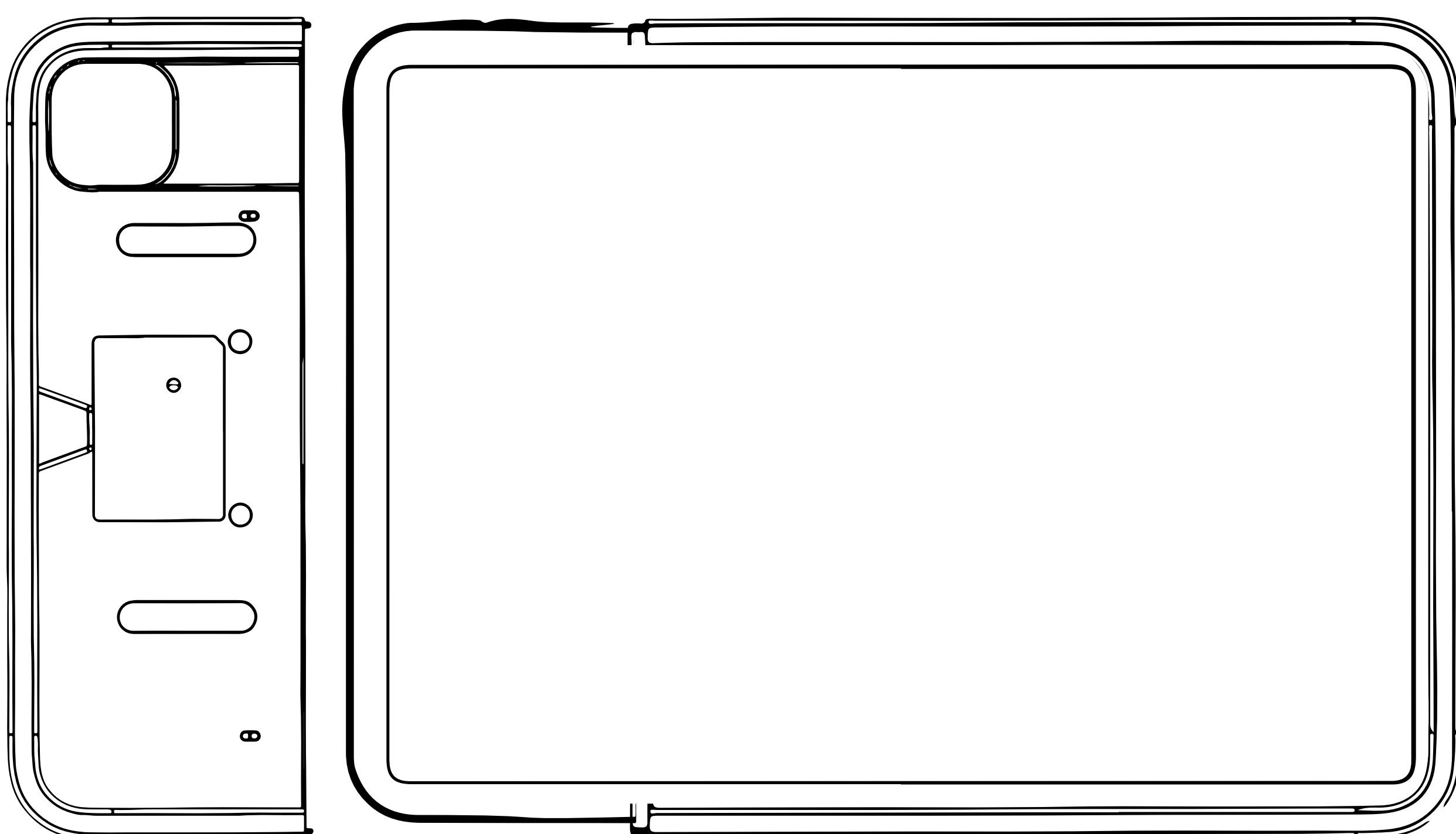
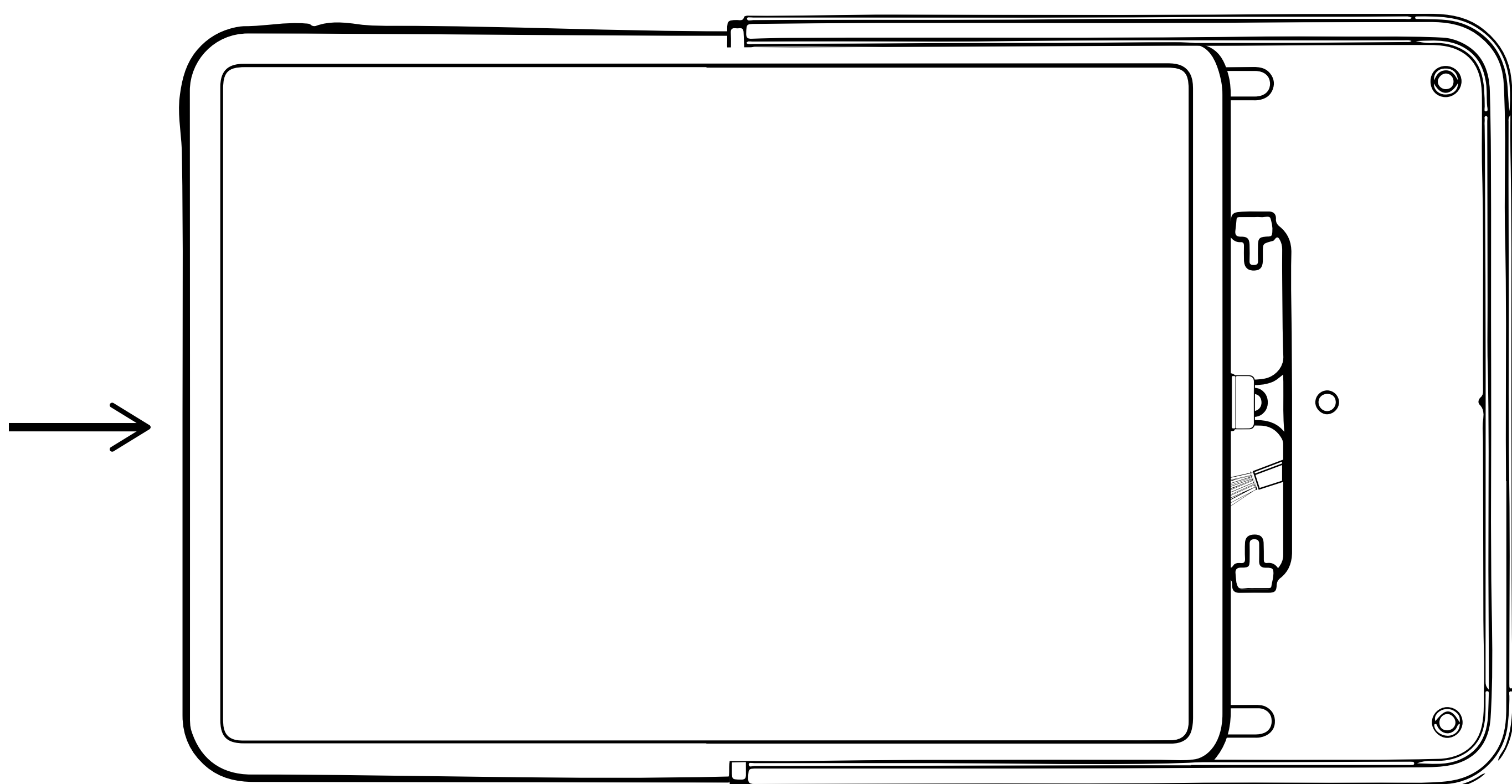


- 16. Plug the molex connector from the Mount into the cable on the CONNECT CASE. Note the gold pins are facing outward when connecting into the Mount cable. Press the Mount cable into the channel to hold and secure the cable out of the way of the iPad.**



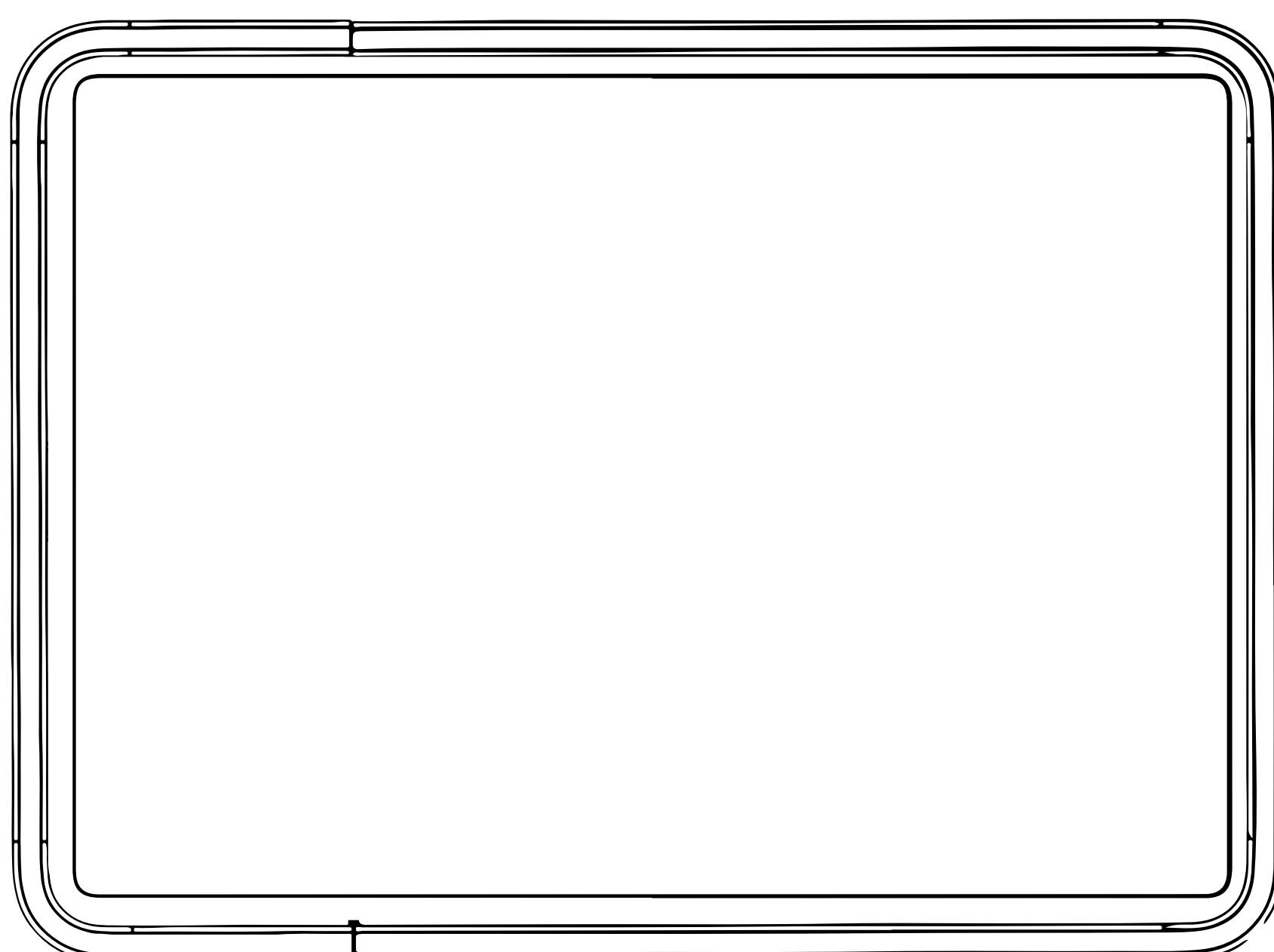
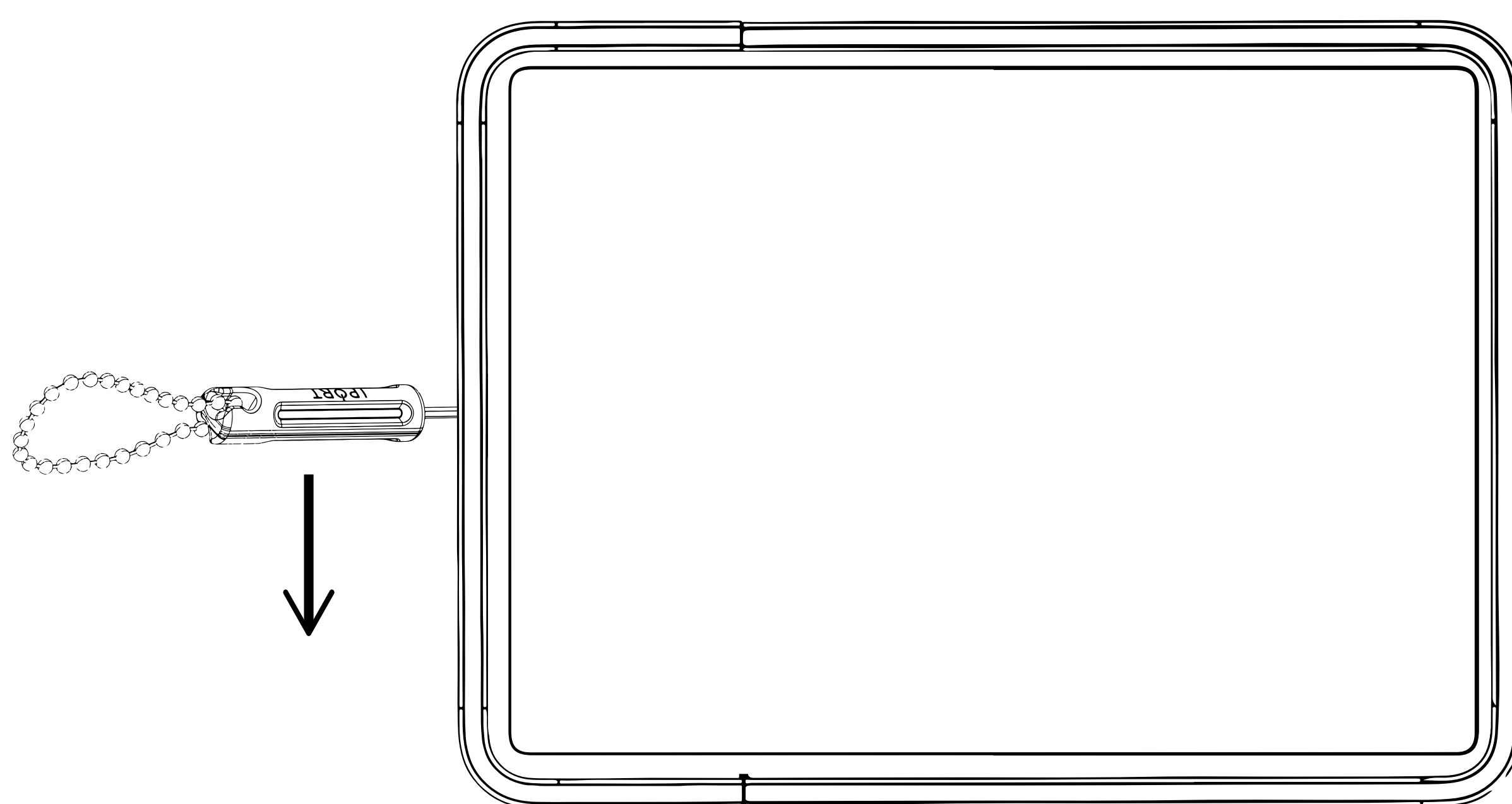
## VESA MOUNT

- 17. Insert the iPad into the attached Case and install the top onto the Case.**



## VESA MOUNT

- 18. Use the provided IPORT Security tool to lock the Case top onto the Case securing the iPad.**



**COMPLETE**