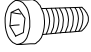
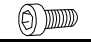






HEKMAN®



A HOWARD MILLER COMPANY

ASSEMBLY INSTRUCTION FOR 28055 INDUSTRIAL BOOKCASE

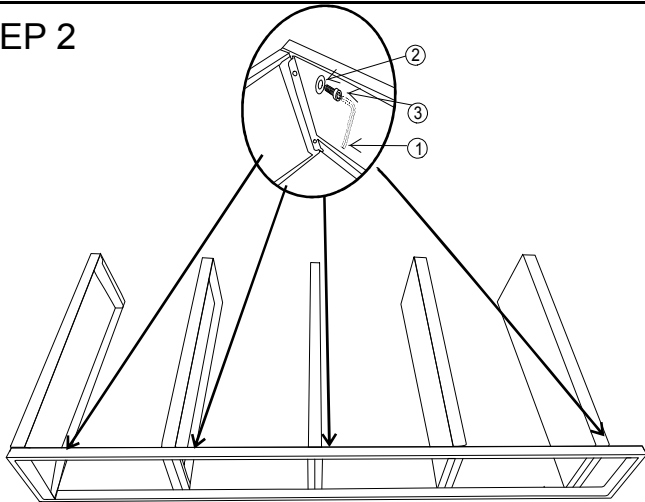
HARDWARE LIST

NO.	ITEM	DESCRIPTION	QTY.
1		Big Bolt	20
4		Small Bolt	4
7		Screw	4

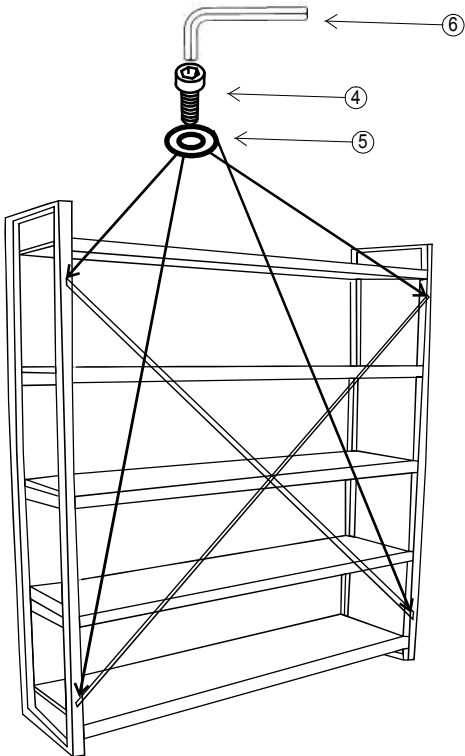
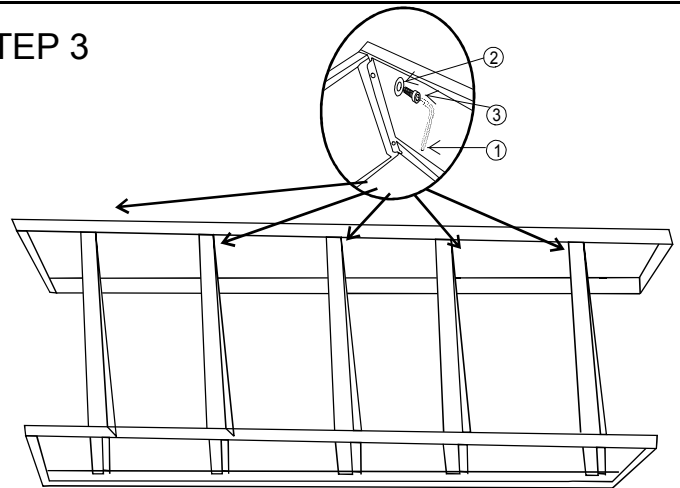
NO.	ITEM	DESCRIPTION	QTY.
2		Big Flat Washer	20
5		Small Flat Washer	4
8		NOT INCLUDED	

NO.	ITEM	DESCRIPTION	QTY.
3		Big Allen Wrench	1
6		Small Allen Wrench	1

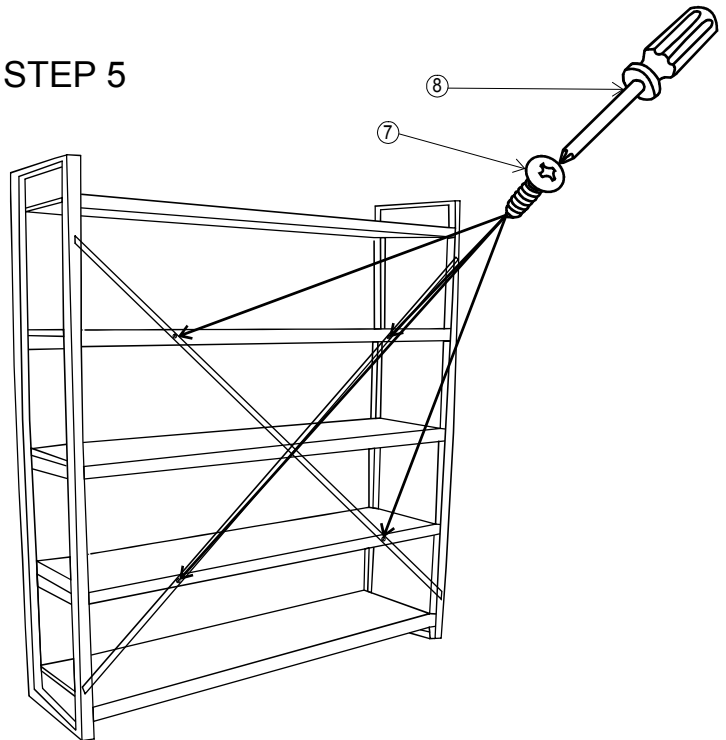
STEP 2



STEP 3



STEP 5



TO ASSEMBLY:

- STEP 1 : Unpack the Bookshelf and place the Metal Frame as shown on a clean leveled surface .
- STEP 2 : Attached the Metal Frame at the side of Wooden shelf with Bolt(1),Washer(2) and Allen Key(3).
- STEP 3 : Attached the second Metal Frame similarly as the first side.
- STEP 4 : Attach the back Angle on Metal Frame with Bolt(4),Washer(5) and Allen Key(6).
- STEP 5 : Tight the back Angle with Screw(7) and Screw Driver(8).
- STEP 6 : Carefully turn the Bookshelf upright.