

## Features

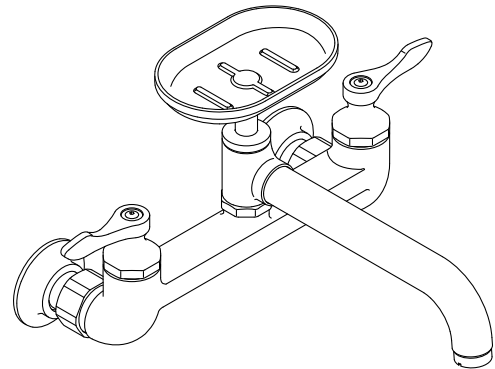
- Two Lever handles offer separate control of hot and cold water
- Includes soap dish

## Material

- Premium metal construction for durability and reliability
- KOHLER finishes resist corrosion and tarnishing

## Installation

- Wall-mount



ADA

CSA B651

OBC

## Codes/Standards

ASME A112.18.1/CSA B125.1  
NSF/ANSI/CAN 61  
NSF/ANSI/CAN 372  
DOE - Energy Policy Act 1992  
California Energy Commission (CEC)  
ADA  
ICC/ANSI A117.1  
CSA B651  
OBC

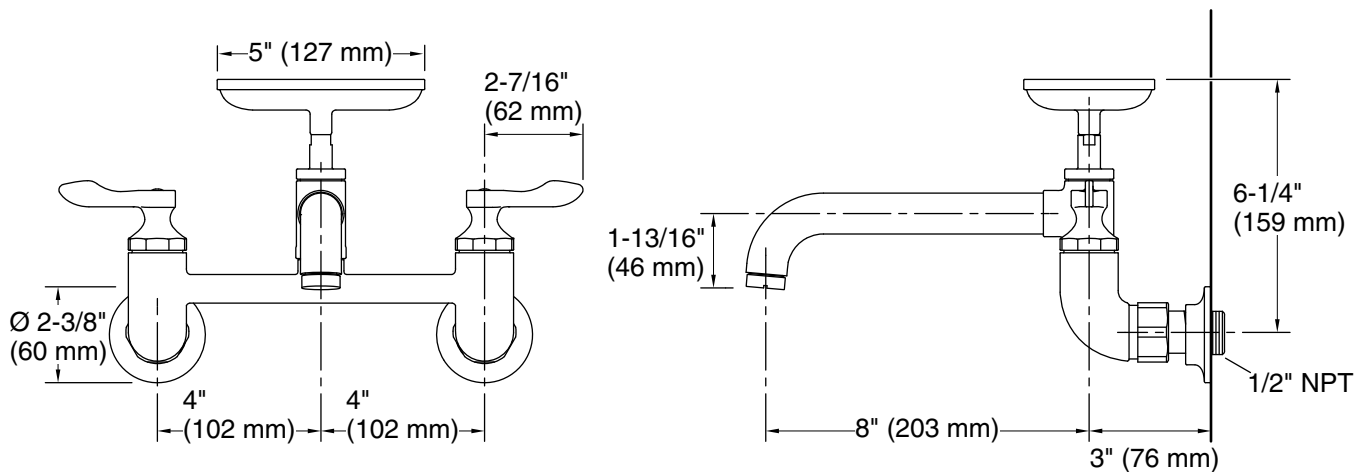
## KOHLER® Faucet Lifetime Limited Warranty

See website for detailed warranty information.

## Available Colors/Finishes

*Color tiles intended for reference only.*

Color	Code	Description
	CP	Polished Chrome



## Technical Information

All product dimensions are nominal.

Faucet flow rate: 1.75 gal/min (6.6 l/min)

### Spout:

Spout reach: 11" (279 mm)

Handle clearance: 2-7/16" (62 mm)

## Notes

Install this product according to the installation instructions.

ADA compliant for faucet handles only  
ADA, OBC, CSA B651 compliant when installed to the specific requirements of these regulations.