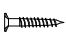


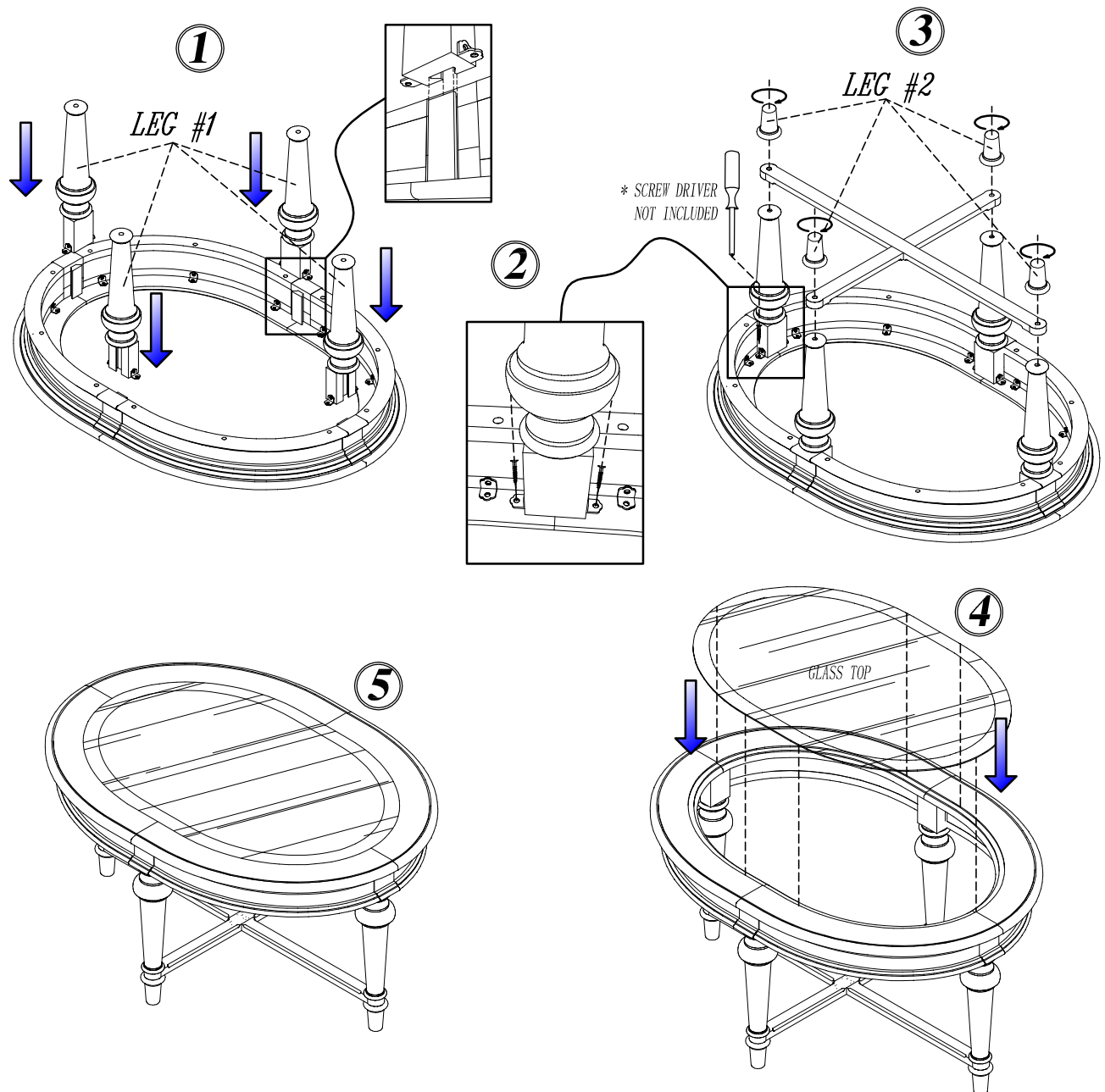
# HEKMAN

A HOWARD MILLER COMPANY

## ASSEMBLY INSTRUCTIONS

25200 / 25400 - SMALL COFFEE TABLE

NO.	Hardware List		Q'ty
A		Screw 6 x 5/8"	8



PLACE THE SMALL COFFEE TABLE UPSIDE DOWN ON SOFT AND CLEAN SURFACE TO PREVENT SCRATCHING

1. ATTACH THE FOUR LEGS (#1) TO THE TABLE TOP
2. SECURE THE FOUR LEGS WITH SCREW (A) INTO THE METAL BRACKET  
\*SCREW DRIVER NOT INCLUDED
3. ASSEMBLE THE X STRETCHER TO THE FOUR LEGS (#1) WITH FEET (#2)
4. SET THE SMALL COFFEE TABLE UPRIGHT AND PUT THE TOP GLASS ON THE SURFACE FRAME
5. ASSEMBLY COMPLETE

MADE IN INDONESIA